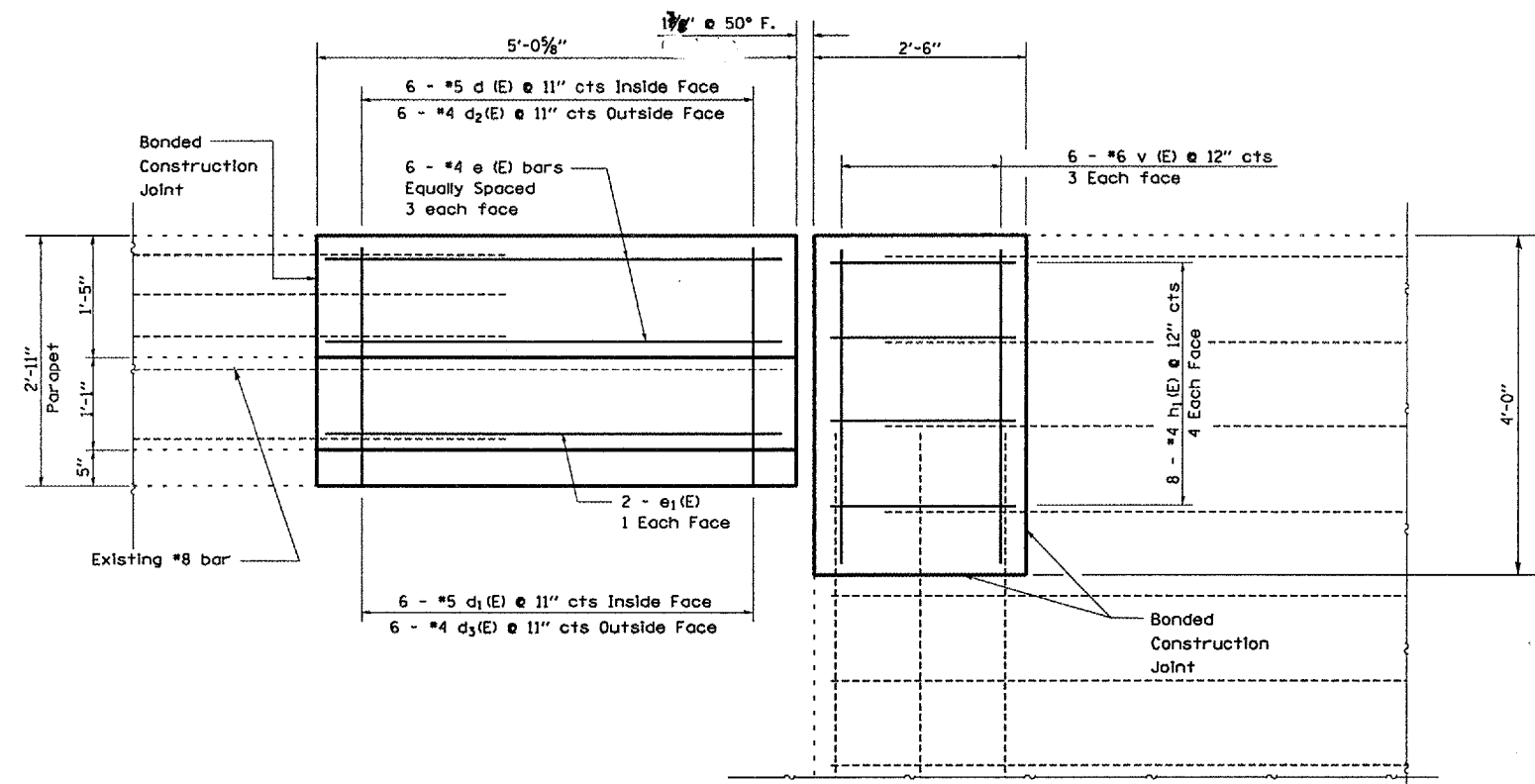
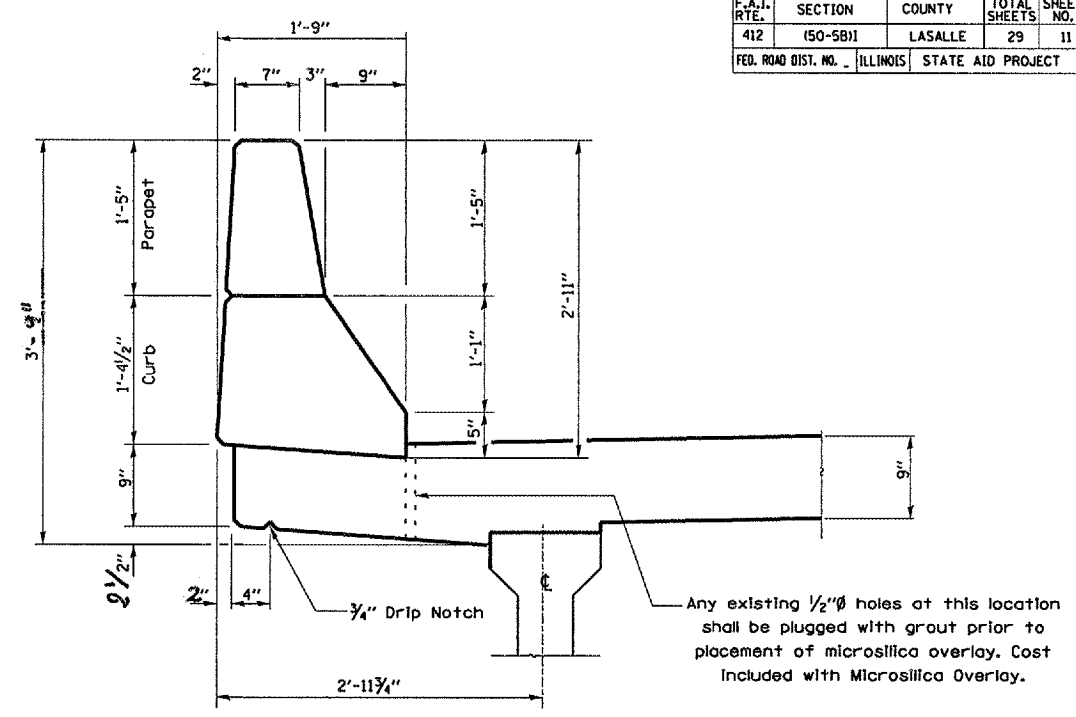


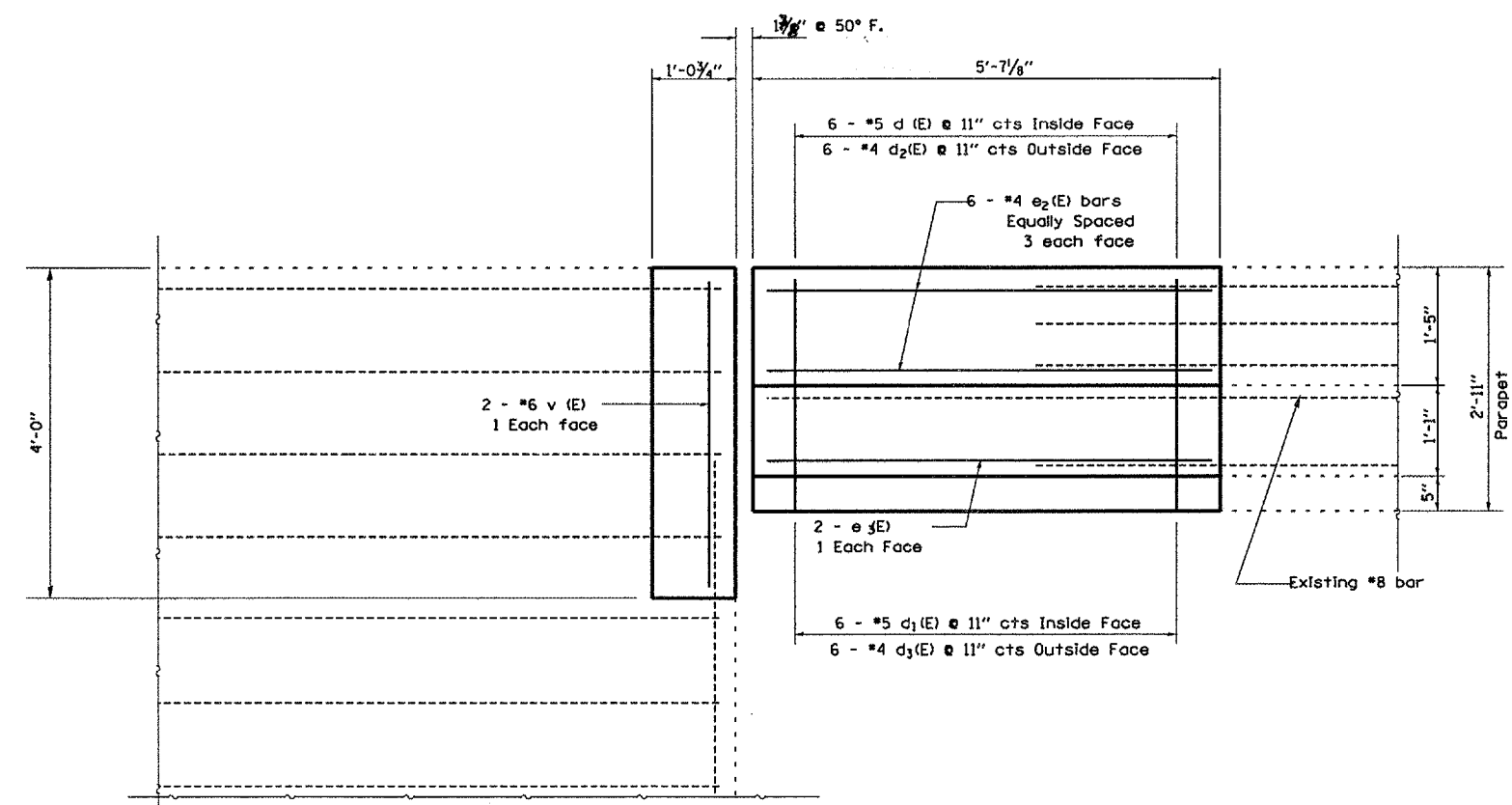
F.A.I. RTE.	SECTION	COUNTY	TOTAL SHEETS	SHEET NO.
412	(50-5B)I	LASALLE	29	11
FED. ROAD DIST. NO.		ILLINOIS STATE AID PROJECT		



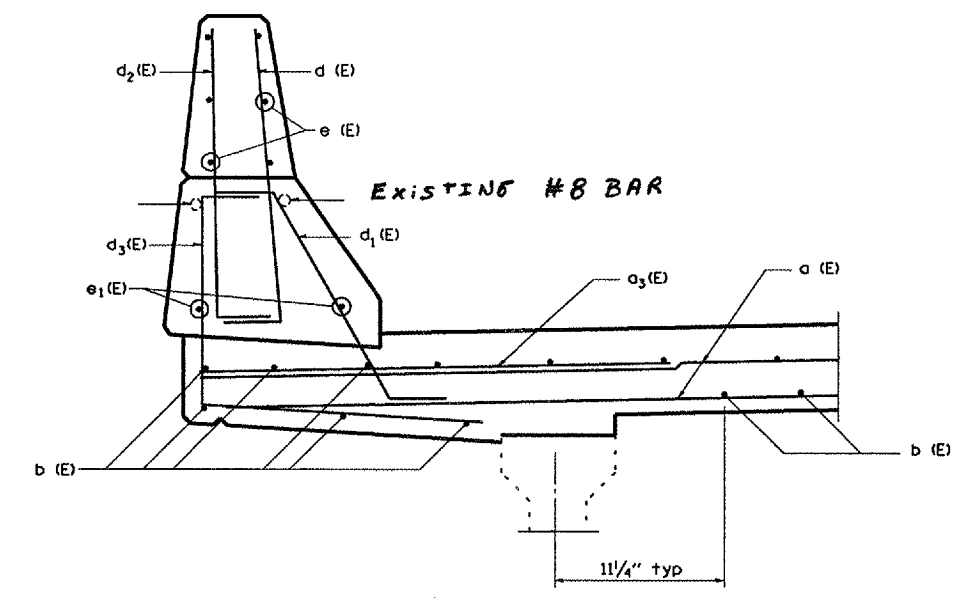
ELEVATION AT WEST PARAPET



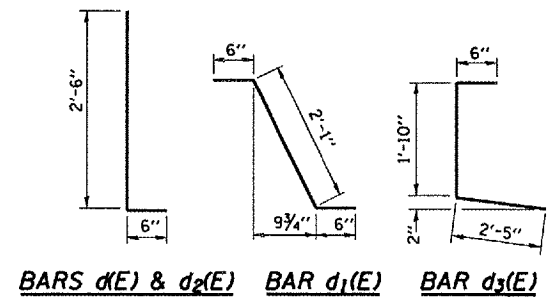
SECTION B-B
DIMENSIONS



ELEVATION AT EAST PARAPET



SECTION B-B
REINFORCEMENT



REVISIONS	
NAME	DATE

ILLINOIS DEPARTMENT OF TRANSPORTATION
RECONSTRUCTION - NORTH ABUT.
PARAPET DETAILS
 F.A.I. 412 SOUTHBOUND
 OVER C. & N.W. RAILROAD
 SECTION (50-5B)I
 STA. 1216 + 43.45
 DATE 04/24/2005
 DRAWN BY RW
 CHECKED BY

MARCH 24, 2005
 C:\PROJECTS\CMA IN06\CM302\DETAILS.DGN