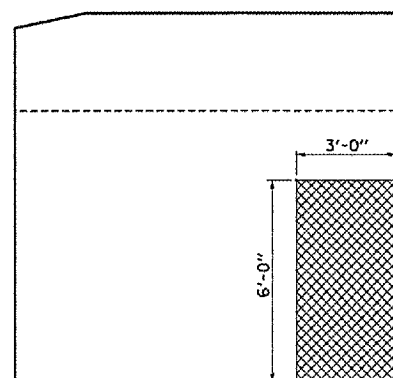
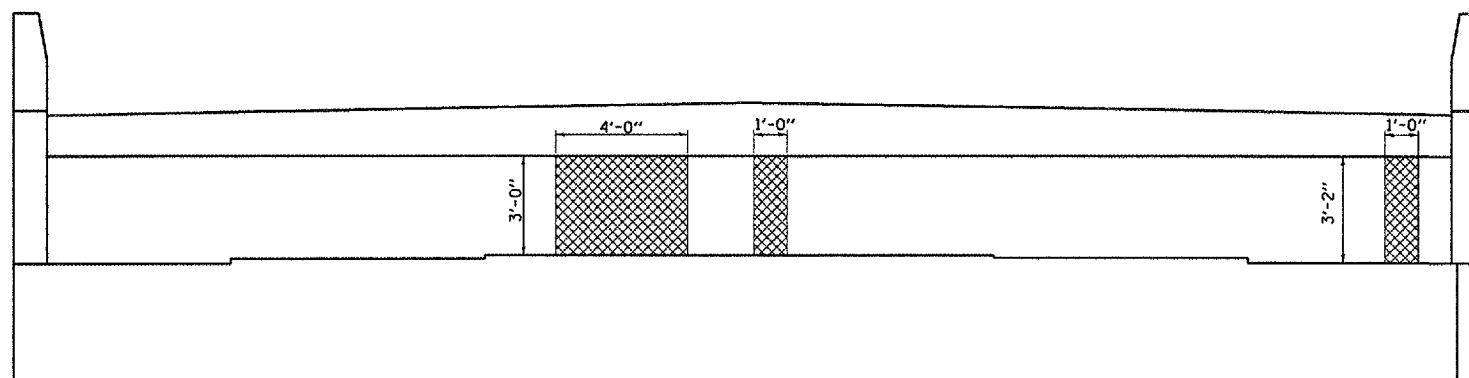


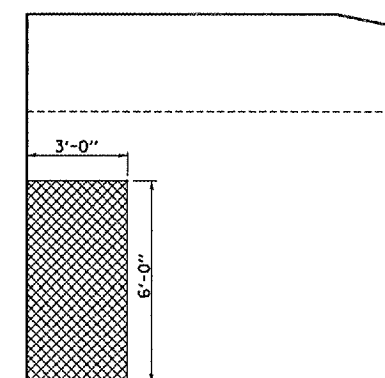
F.A.I. RTE.	SECTION	COUNTY	TOTAL SHEETS	SHEET NO.
412	(50-5B)I	LASALLE	29	18
FED. ROAD DIST. NO. _		ILLINOIS	STATE AID PROJECT	



WEST WING



ELEVATION




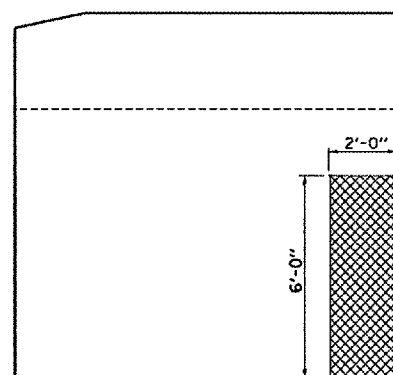
EAST WING

**BILL OF MATERIAL N. ABUTMENT**

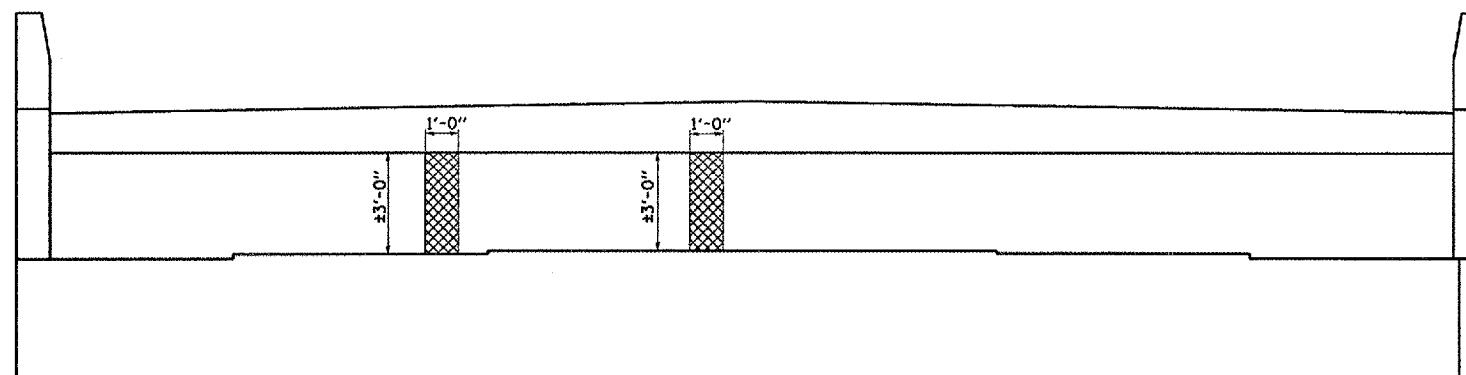
Item	Unit	Total
Formed Concrete Repair (Depth ≤ 5")	Sq. Ft.	54

**SOUTH ABUTMENT**

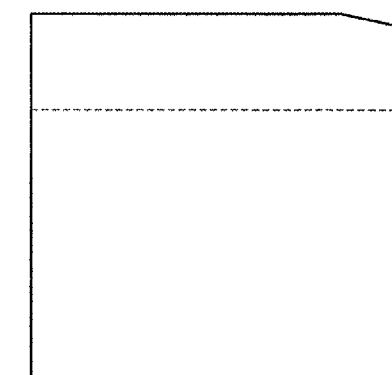
 FORMED CONCRETE REPAIR ≤ 5"



EAST WING



ELEVATION



WEST WING

**BILL OF MATERIAL S. ABUTMENT**

Item	Unit	Total
Formed Concrete Repair (Depth ≤ 5")	Sq. Ft.	18

**NORTH ABUTMENT**

REVISIONS	
NAME	DATE

ILLINOIS DEPARTMENT OF TRANSPORTATION  
**ABUTMENT WALL REPAIR**  
 F.A.I. 412 SOUTHBOUND  
 OVER C. & N.W. RAILROAD  
 SECTION (50-5B)I  
 STA. 1216 + 43.45

DATE 04/24/2005

DRAWN BY RW  
 CHECKED BY

MARCH 24, 2005  
 C:\PROJECTS\CMA\IND6\CM302\DETAILS.DGN