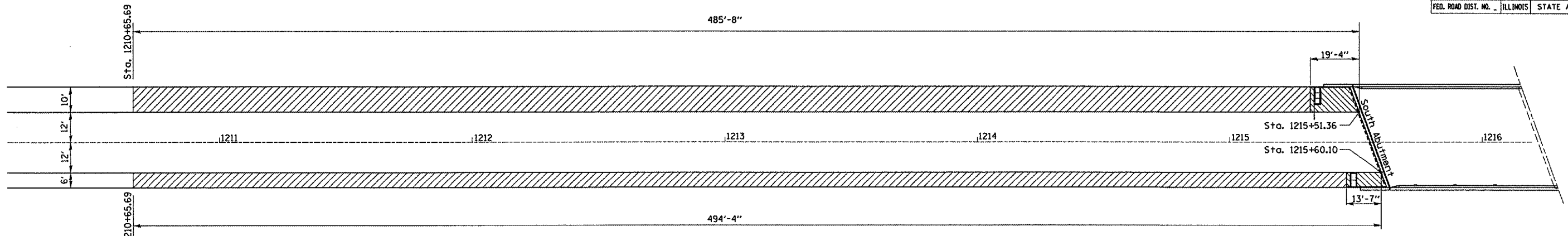
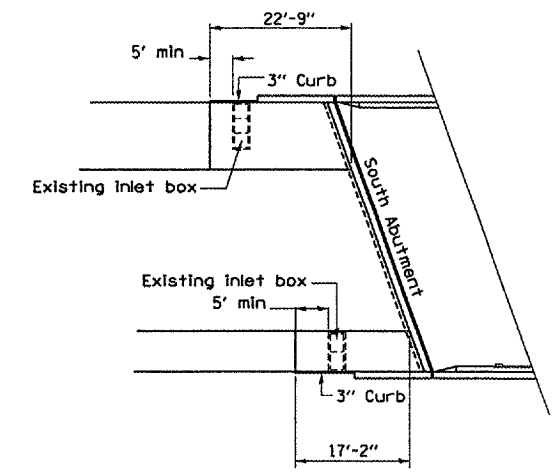


F.A.I. RTE.	SECTION	COUNTY	TOTAL SHEETS	SHEET NO.
412	(50-5B)I	LASALLE	29	24
FED. ROAD DIST. NO. ILLINOIS		STATE AID PROJECT		



PLAN

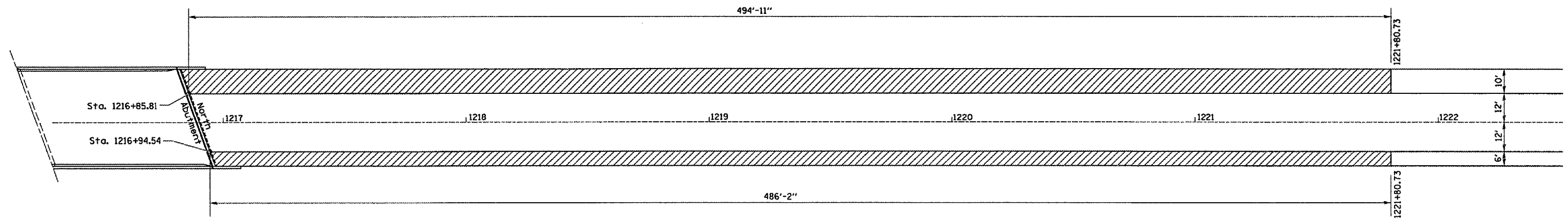
NOTE: Existing inlets shall remain in place and field adjusted to provide a 1/2"/ft slope.



PROPOSED PLAN  
BRIDGE APPROACH SHOULDER  
See Standards 483001 & 609001 for detail not shown



- BITUMINUS SHOULDER REMOVAL & PCC SHOULDER 10"
- BRIDGE APPROACH SHOULDER REMOVAL & PCC BRIDGE APPROACH SHOULDER PAVEMENT



PLAN

REVISIONS	
NAME	DATE

ILLINOIS DEPARTMENT OF TRANSPORTATION  
**PRE-STAGING DETAILS**  
F.A.I. 412 SOUTHBOUND  
OVER C. & N.W. RAILROAD  
SECTION (50-5B)I  
STA. 1216 + 43.45  
DATE 04/24/2005  
DRAWN BY RW  
CHECKED BY

MARCH 24, 2005  
C:\PROJETS\OMA\06\CM302\DETAILS.DGN