

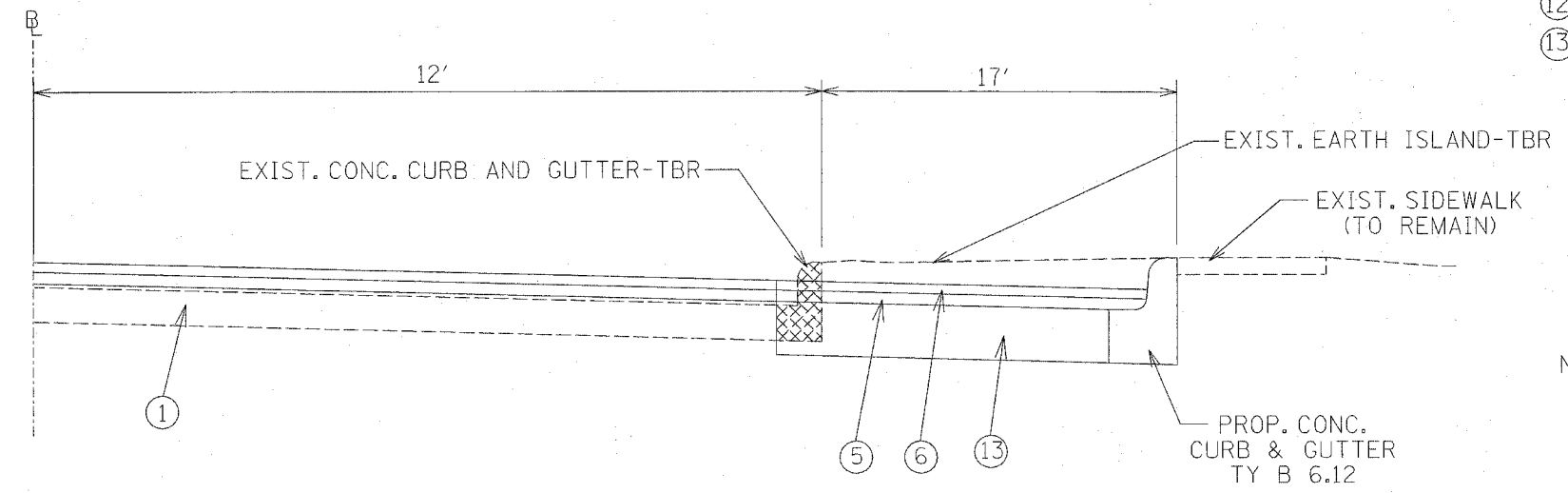
JAKE WOLF FISH HATCHERY RD.  
STA. 13+25.77 TO STA. 60+02.96

NOTE: SEE PLAN SHEETS FOR FISH HATCHERY PARKING LOT DETAILS.  
STA. 1+25 TO STA. 13+25.77

(MATCH EXISTING CROSS-SLOPES OR AS DIRECTED BY THE ENGINEER)  
NOTE: RESURFACING SHALL INCLUDE GUTTER FLAG AREAS

**LEGEND**

- ① EXIST. AGG. BASE WITH BIT. CONCRETE SURFACE
- ② EXIST. SAND / AGG. BASE WITH OIL & CHIP SURF.
- ③ EXIST. SAND BASE
- ④ EXIST. AGG. BASE
- ⑤ PROP. LEVELING BINDER, 1"
- ⑥ PROP. BIT. CONCRETE SURF. CSE., 1 1/2"
- ⑦ PROP. EARTH SHOULDERS
- ⑧ PROP. AGG. SURFACE CSE., TYPE-A, 4"
- ⑨ PROP. BITUMINOUS SURFACE TREATMENT, A-3
- ⑩ PROP. AGG. SHOULDERS TYPE-B
- ⑪ PROP. SUB-BASE GRAN. MATERIAL, TYPE-B 5" (CA 02)
- ⑫ PROP. AGG. SURFACE CSE., TYPE-A 3" (CA 06)
- ⑬ PROP. BIT. BASE CSE., SUPERPAVE, 8"



JAKE WOLF FISH HATCHERY PARKING LOT - ISLAND REMOVAL DETAIL  
LT STA. 5+62.01 TO LT STA. 5+73.59  
LT STA. 6+34.32 TO LT STA. 6+42.13

NOTE: PREPARE SUBGRADE  
SUITABLE TO PLACE  
BITUMINOUS BASE CSE.

REVISIONS		ILLINOIS DEPARTMENT OF TRANSPORTATION
NAME	DATE	
		<p><b>TYPICAL CROSS SECTIONS</b></p> <p>SCALE: VERT.     DRAWN BY     CRV          HORIZ.            CHECKED BY          DATE FEBRUARY, 2003</p>