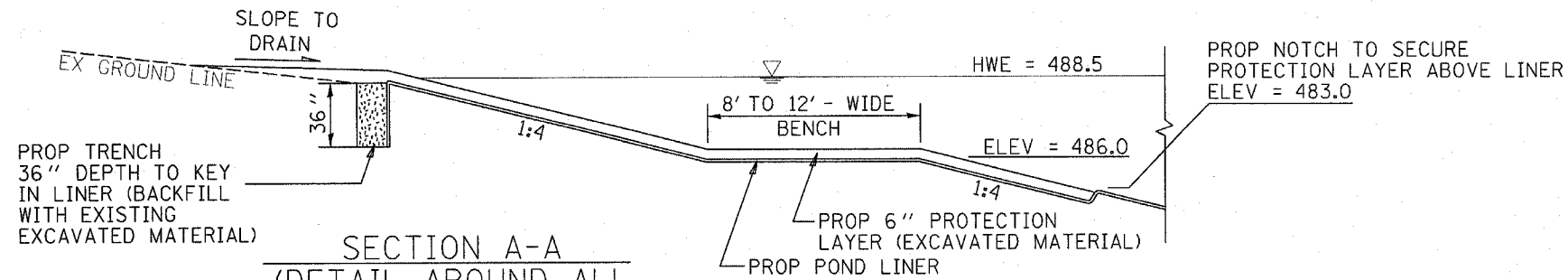
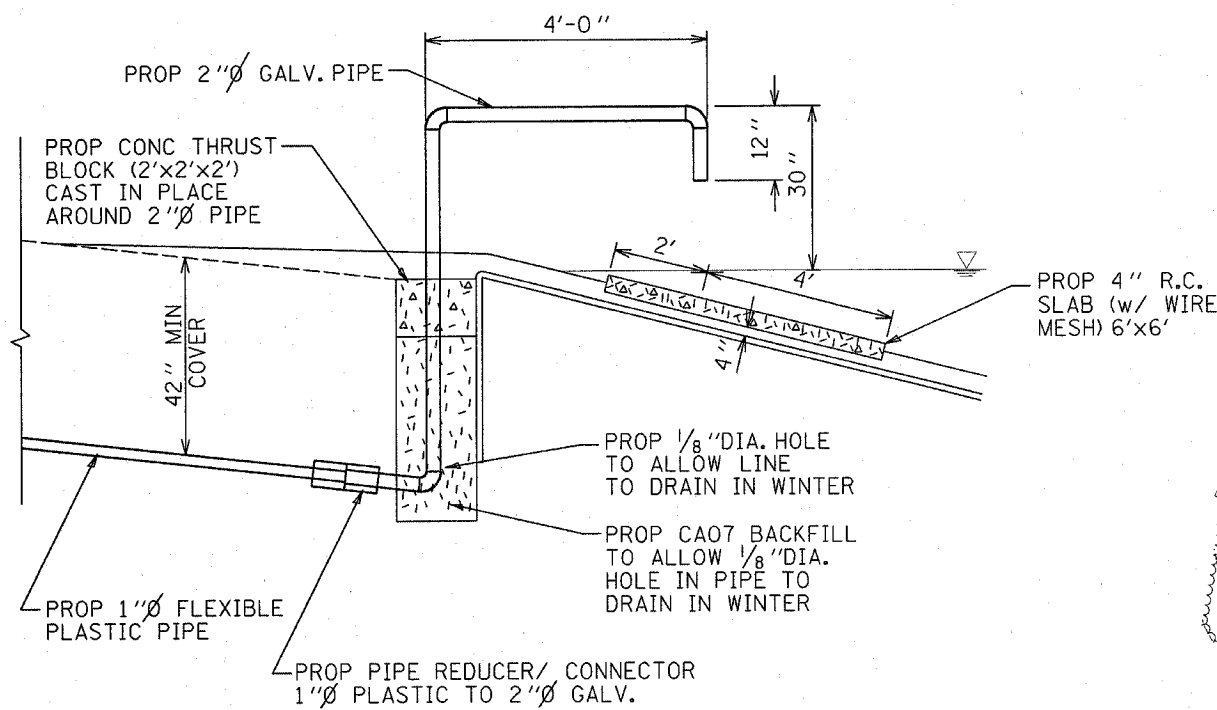


F.A. RTE.	SECTION	COUNTY	TOTAL SHEETS	SHEET NO.
.	**	MASON	86	49
STA.		TO STA.		
FED. ROAD DIST. NO.		ILLINOIS FED. AID PROJECT		
<ul style="list-style-type: none"> PARK ROADS SAND RIDGE STATE FOREST INTERNAL ROADS 2004 				



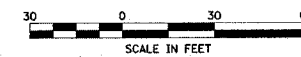
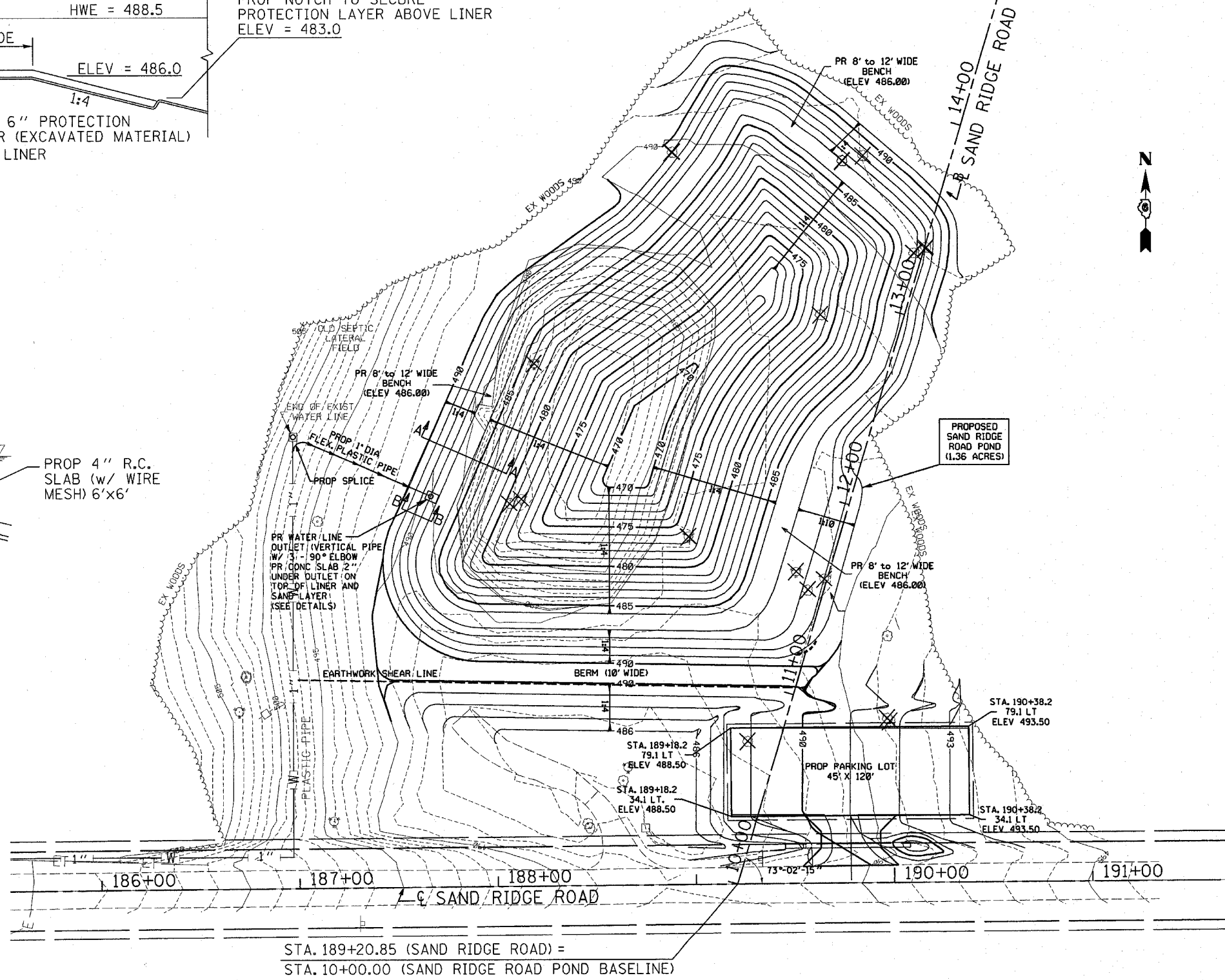
SECTION A-A
(DETAIL AROUND ALL OUTER EDGES OF POND)

NOTE: FUTURE POND LINER WILL BE DONE BY OTHERS



SECTION B-B
(WATER LINE OUTLET DETAIL)

NOTE: FUTURE WATER LINE OUTLET WILL BE DONE BY OTHERS



REVISIONS	
NAME	DATE

ILLINOIS DEPARTMENT OF TRANSPORTATION
BORROW SITE DETAILS
SAND RIDGE ROAD BORROW SITE
(FUTURE POND)

SCALE: VERT. _____
HORIZ. _____
DATE _____ DRAWN BY _____
CHECKED BY _____