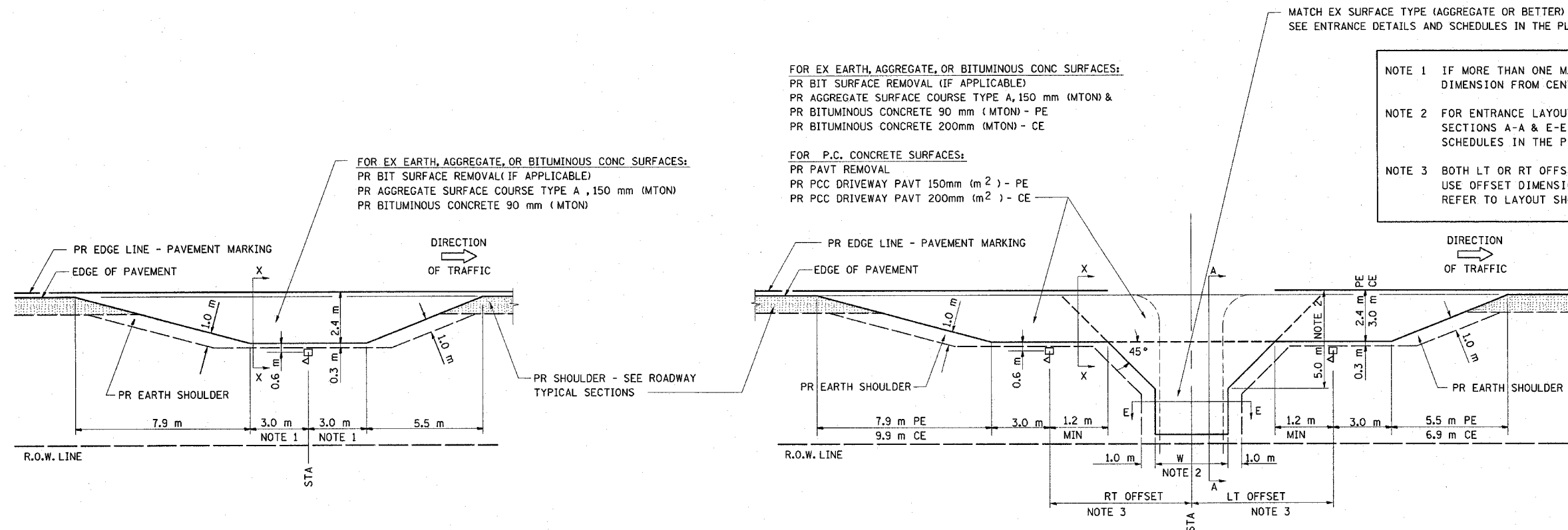


F.A. RTE.	SECTION	COUNTY	TOTAL SHEETS	SHEET NO.
•	••	MASON	80	52

STA.	TO STA.
FED. ROAD DIST. NO.	ILLINOIS FED. AID PROJECT

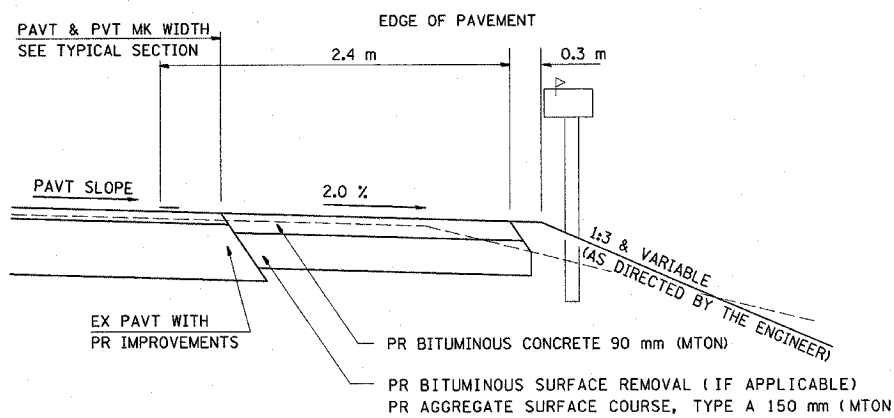
- PARK ROADS
- SAND RIDGE STATE FOREST INTERNAL ROADS 2004

### DETAILS OF MAILBOX TURNOUTS

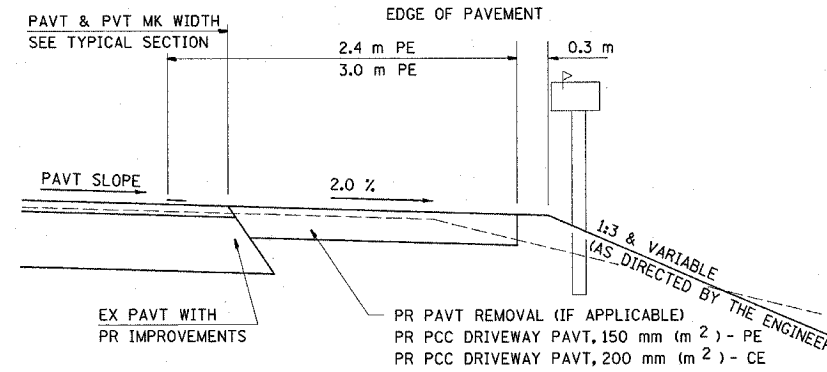


PLAN - MAILBOX TURNOUTS

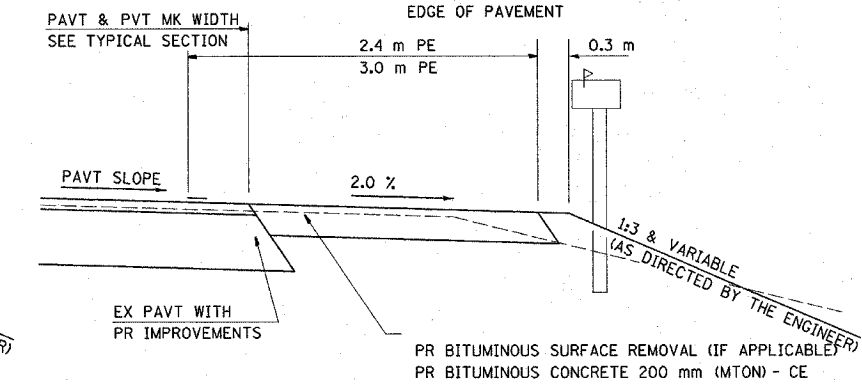
PLAN - COMBINED MAILBOX TURNOUT WITH TRAILING OR LEADING ENTRANCE



SECTION X-X THRU MAILBOX TURNOUT  
ALSO APPLIES TO MAILBOX TURNOUTS COMBINED WITH EX EARTH, AGGREGATE, OR BITUMINOUS PE & FE



SECTION X-X THRU MAILBOX TURNOUT  
COMBINED WITH EX CONC PE OR CE



SECTION X-X THRU MAILBOX TURNOUT  
COMBINED WITH EX EARTH, AGGREGATE, OR BITUMINOUS CE

- MATCH EX SURFACE TYPE (AGGREGATE OR BETTER)  
SEE ENTRANCE DETAILS AND SCHEDULES IN THE PLANS
- NOTE 1 IF MORE THAN ONE MAILBOX IS PRESENT, DIMENSION FROM CENTER OF END MAILBOX.
- NOTE 2 FOR ENTRANCE LAYOUT DIMENSIONS AND SECTIONS A-A & E-E REFER TO THE SCHEDULES IN THE PLANS.
- NOTE 3 BOTH LT OR RT OFFSETS FOR MAILBOX SHOWN USE OFFSET DIMENSION PER SCHEDULE AND REFER TO LAYOUT SHOWN ON THE PLAN.

REVISIONS	
NAME	DATE

ILLINOIS DEPARTMENT OF TRANSPORTATION

### DETAILS FOR RURAL ENTRANCE & MAILBOX TURNOUT

SCALE: VERT.  
HORIZ.  
DATE: FEBRUARY 23, 1999

DRAWN BY  
CHECKED BY JCN