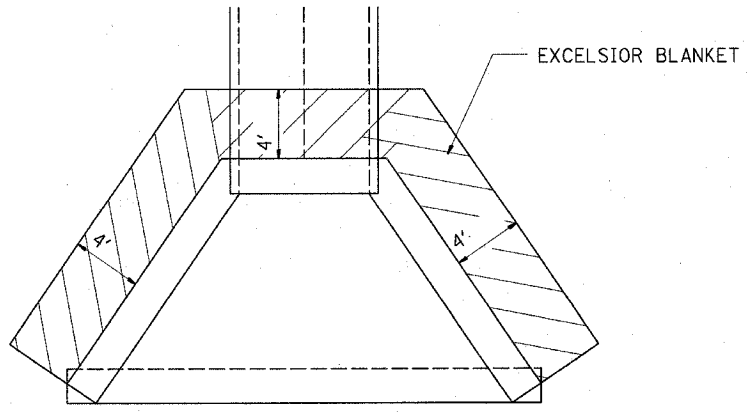
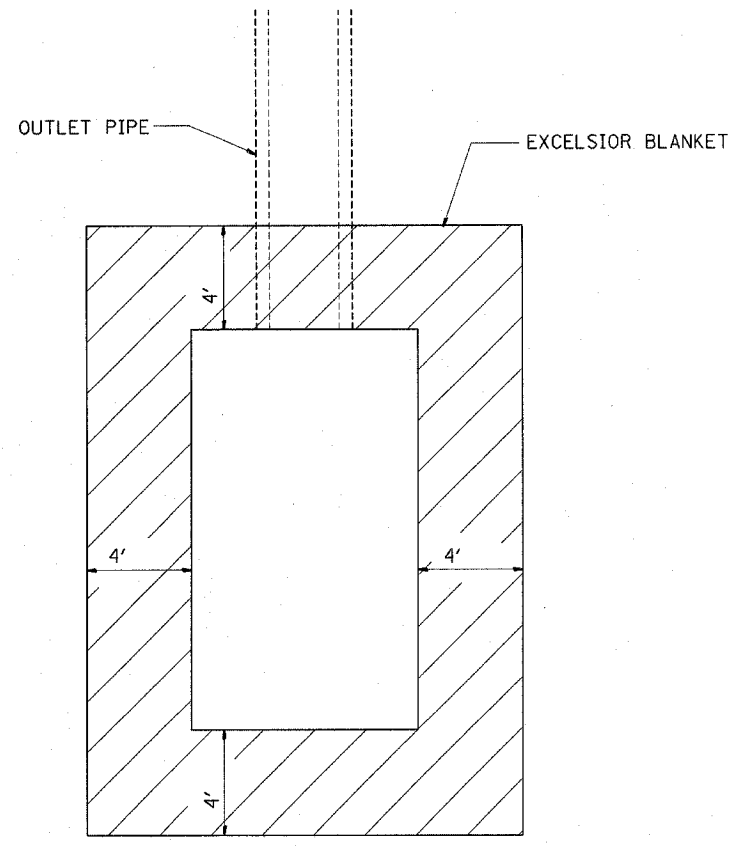


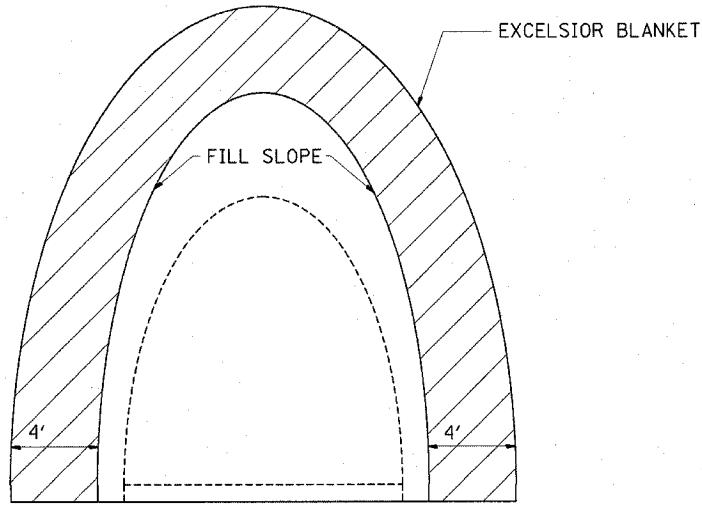
EXCELSIOR BLANKET AROUND  
MANHOLE, TYPE A  
W/TYPE 1 FRAME, CLOSED LID



EXCELSIOR BLANKET AROUND  
HEADWALLS & CULVERT WINGWALLS



EXCELSIOR BLANKET AROUND  
HEADWALL FOR PIPE UNDERDRAIN  
STD 601101



EXCELSIOR BLANKET AROUND  
FLARED END SECTION  
STD 542301

REVISIONS	
NAME	DATE

ILLINOIS DEPARTMENT OF TRANSPORTATION  
**HEAVY DUTY EXCELSIOR BLANKET  
DETAILS**

SCALE: VERT. \_\_\_\_\_  
HORIZ. \_\_\_\_\_  
DATE \_\_\_\_\_ DRAWN BY \_\_\_\_\_  
CHECKED BY \_\_\_\_\_