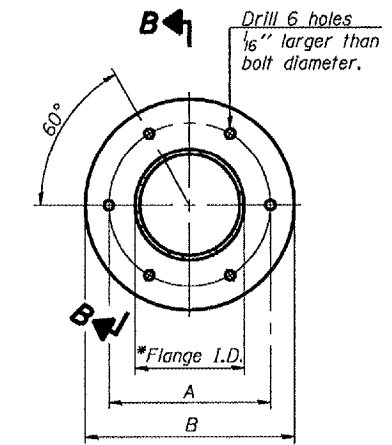


STATE OF ILLINOIS
DEPARTMENT OF TRANSPORTATION

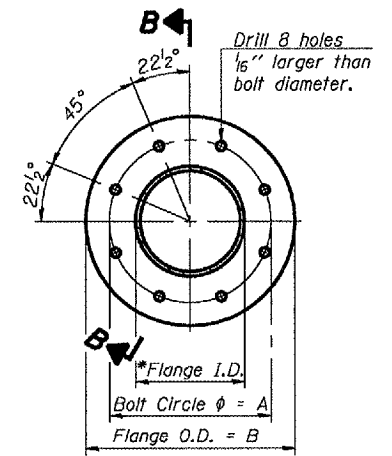
ROUTE NO.	SECTION	COUNTY	DISTRICT	SHEET NO.	SHEET NO.
F.A.I. 55	D-6 ITS #1	SANGAMON		43	SHEETS
FED. ROAD DIST. NO. 7	ILLINOIS	FED. AID PROJECT			

TRUSS UNIT TABLE

Structure Number	Station	Design Truss Type	Exterior Units (2)			Interior Unit			Upper & Lower Chord		Verticals; Horizontals; Vertical, Horizontal, and Interior Diagonals				Camber at Midspan	Splicing Flange				
			No. Panels per Unit	Unit Lgth.(L _u)	Panel Lgth.(P)	No. Req'd.	No. Panels per Unit	Unit Lgth.(L _i)	Panel Lgth.(P)	O.D.	Wall	O.D.	Wall	Bolts		Weld Sizes		A	B	
														No./Splice		Dia.	W			W ₁
6S0841055R86.9	234+00.00	III-A	7	39'-2 1/2"	5'-4"	1	6	33'-3"	5'-4"	7"	5/16"	3 1/4"	5/16"	2 13/16"	6	1"	7/16"	5/16"	11 1/2"	15"
6S0841055L107.0	202+54.00	III-A	7	39'-2 1/2"	5'-4"	1	6	33'-3"	5'-4"	7"	5/16"	3 1/4"	5/16"	2 13/16"	6	1"	7/16"	5/16"	11 1/2"	15"



TRUSS TYPES I-A, II-A, & III-A

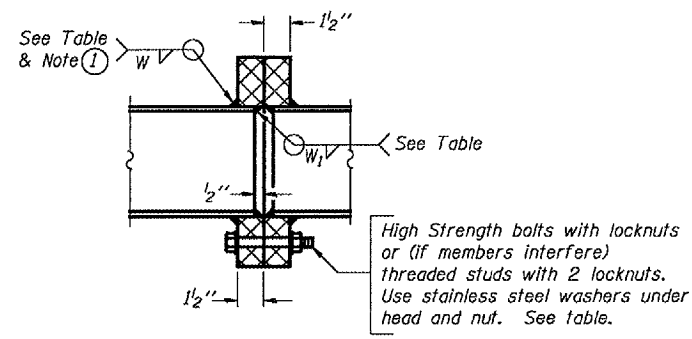


TRUSS TYPES II-A & III-A

SPlicing FLANGES

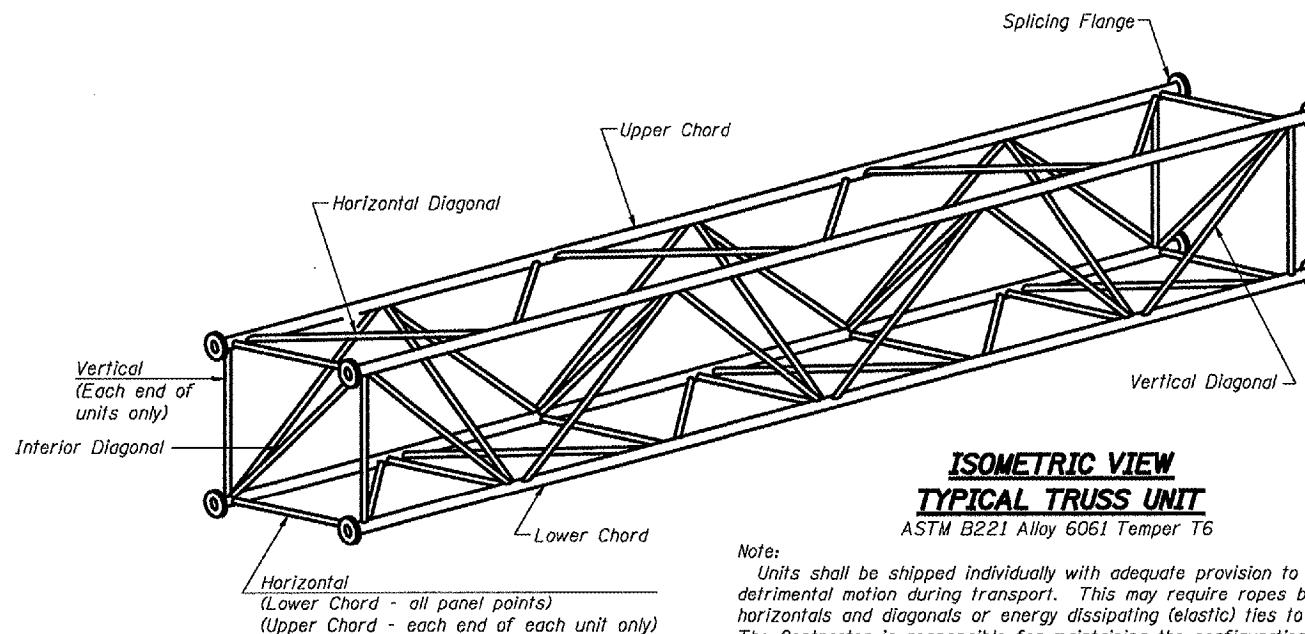
ASTM B221, Alloy 6061-T6
or ASTM B209, Alloy 6061-T651

*To fit O.D. of Chord with maximum gap of 1/16".



SECTION B-B

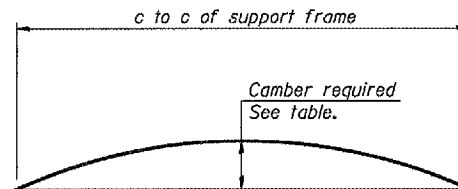
① Splicing Flanges shall be attached to each truss unit with the truss shop assembled to camber shown. Truss units shall be in proper alignment and flange surfaces shall be shop bolted into full contact before welding. Sufficient external welds or tacks shall be made to secure flanges until remaining welds are made after disassembly. Adjacent flanges shall be "match marked" to insure proper field assembly.



**ISOMETRIC VIEW
TYPICAL TRUSS UNIT**

ASTM B221 Alloy 6061 Temper T6

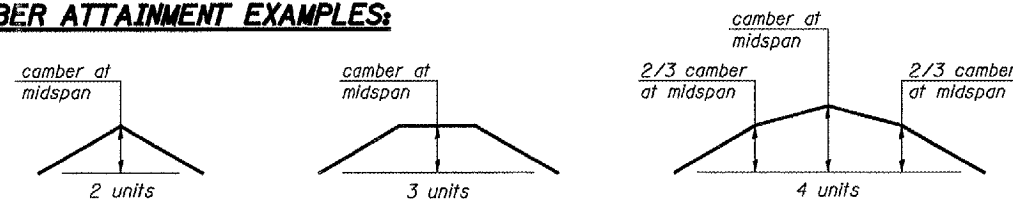
Note:
Units shall be shipped individually with adequate provision to prevent detrimental motion during transport. This may require ropes between horizontals and diagonals or energy dissipating (elastic) ties to the vehicle. The Contractor is responsible for maintaining the configuration and protection of the units.



CAMBER DIAGRAM

Camber curve shown is theoretical. Actual camber attained by slope changes at splices between units.

CAMBER ATTAINMENT EXAMPLES:



Camber shown is for fabrication only, measured with truss fully supported. (No-load condition)

NUMBER	REVISION	DATE

DESIGNED	200
CHECKED	EXAMINED
DRAWN	ENGINEER OF BRIDGE DESIGN
CHECKED	PASSED
	ENGINEER OF BRIDGES AND STRUCTURES

OS4-A-2

1-7-05

**OVERHEAD SIGN STRUCTURES
ALUMINUM TRUSS DETAILS
FOR TRUSS TYPES I-A, II-A and III-A**

F.A.I. 55 (I-55)
SECTION D-6 ITS #1
SANGAMON COUNTY