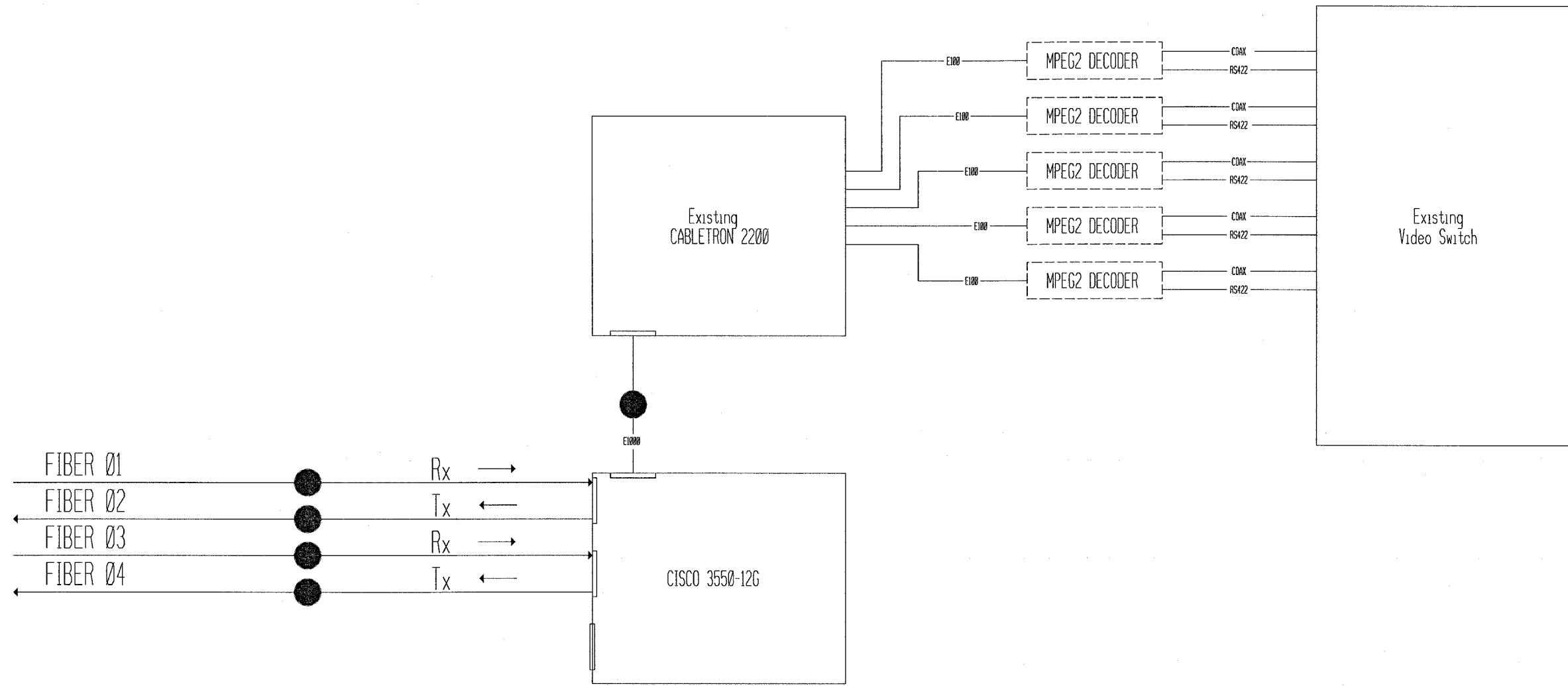


ROUTE	SECTION	COUNTY	TOTAL SHEETS	SHEET NO.
*	**	***	25	24
STA. TO STA.				
FED. ROAD DIST. NO. ILLINOIS FED. AID PROJECT ****				

* FAI 55/70 CONTRACT# 76966
 ** DIST 8 ITS 2006-1
 *** MADISON & ST. CLAIR

TO SHEET 23



TMC

REVISIONS	
NAME	DATE

ILLINOIS DEPARTMENT OF TRANSPORTATION
 COMMUNICATION DESIGN
 FAI 55/70
 SECTION DIST 8 ITS 2006-1
 MADISON AND ST. CLAIR COUNTY

SCALE: DRAWN BY MAM
 DATE 05/02/05 CHECKED BY CAF

ILLINOIS DEPARTMENT OF TRANSPORTATION
 COMMUNICATION DESIGN
 FAI 55/70
 SECTION DIST 8 ITS 2006-1
 MADISON AND ST. CLAIR COUNTY