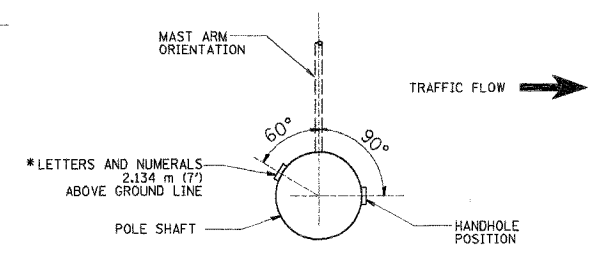
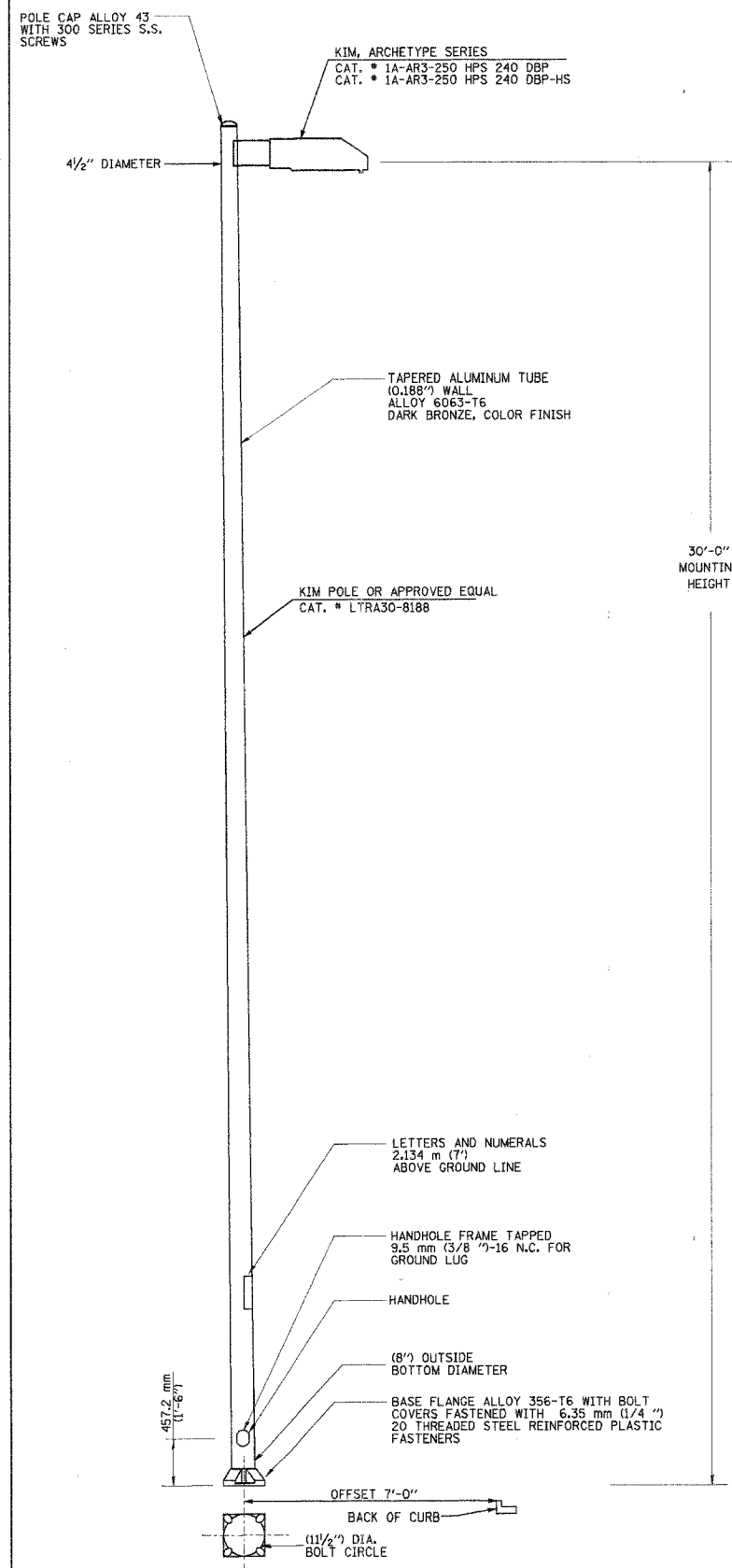
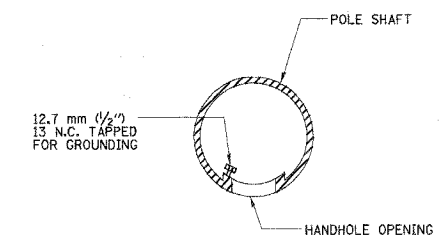


P. A. U. SHE.	SECTION	COUNTY	TOTAL SHEETS	SHEET NO.
1346		COOK/DUPAGE	84	44
STA.	TO STA.			
FED. ROAD DIST. NO. 7	ILLINOIS	FED. AID PROJECT M-7003 (857)		

* ELK GROVE VILLAGE 99-00041-00-CH
CONTRACT NO. 83766



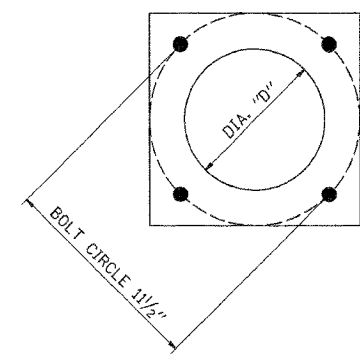
POSITION OF HANDHOLE AND POLE NUMBER FOR SINGLE MAST ARM POLES



HANDHOLE DETAIL (N.T.S.)

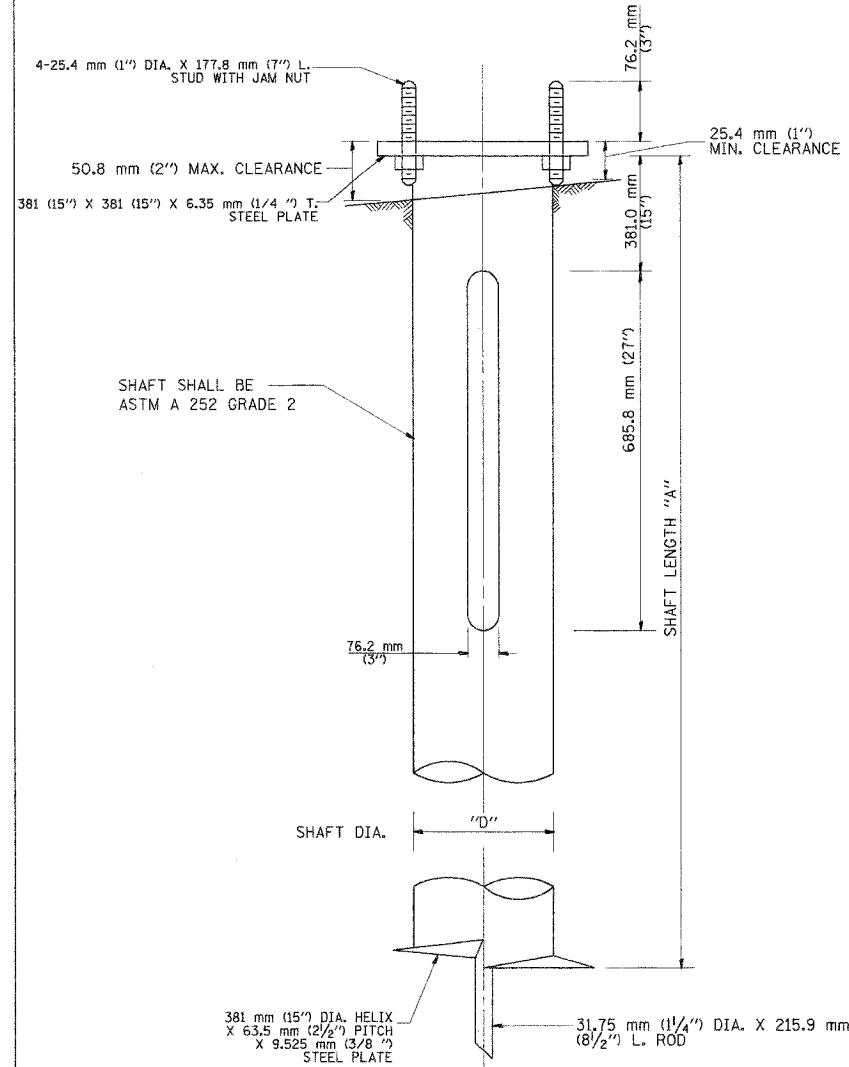
NOTES

1. BOLT SLOTS SHALL BE 44.45 (1 3/4") X 50.8 mm (2") CENTERED ON BOLT CIRCLE.
2. LUMINAIRES ARE TO BE INSTALLED AS SOON AS POSSIBLE AFTER POLE ERECTION. THE POLE WILL NOT BE PAID FOR UNTIL THE LUMINAIRE IS INSTALLED.
3. THE LIGHT POLE WILL MEET AASHTO DESIGN CRITERIA.
4. THE DUCT SHALL EXTEND INTO POLE A MINIMUM OF 304.8 mm (12") ABOVE THE BASE.



NOTES:

1. THE HELIX FOUNDATION, SHAFT BASE PLATES, HELICAL PLATE, HELIX SCREW, PILOT POINT, AND STOCK BAR SHALL BE ASTM A36 STRUCTURAL STEEL OR BETTER.
2. ALL WELDS SHALL BE CONTINUOUS AND NOT LESS THAN 6.35 mm (1/4") FILLET WELDS. THE WELDED FOUNDATION SHALL BE CAPABLE OF WITHSTANDING 13558.18 n.m (10,000 FT/LBS) OF INSTALLATION TORQUE APPLIED ABOUT THE AXIS OF THE FOUNDATION.
3. THE ENTIRE HELIX FOUNDATION SHALL BE HOT DIPPED GALVANIZED AFTER FABRICATION IN ACCORDANCE WITH ASTM A123, GRADE B. NO TOUCH-UP WILL BE PERMITTED.
4. THE HARDWARE, STUDS, JAM NUTS, AND HEX NUTS SHALL BE ASTM A325 STEEL OR BETTER FLAT AND LOCK WASHERS SHALL BE OF STEEL. THE ANCHOR BOLTS, NUTS, AND WASHERS SHALL BE HOT DIPPED GALVANIZED IN ACCORDANCE WITH ASTM A153. HEX NUTS SHALL BE IN CONFORMANCE WITH ASTM A563, GRADE A AND WASHERS SHALL BE IN CONFORMANCE WITH ASTM F436.
5. THE HELIX FOUNDATION SHAFT SHALL BE INSTALLED VERTICAL AND THE BASE PLATE SHALL BE IN LEVEL. THE BREAKAWAY COUPLINGS AND HARDWARE SHALL NOT BE USED TO ALIGN THE POLE INSTALLATION.
6. THE CABLE TRENCH SHALL BE BACKFILLED AND FIRMLY COMPACTED BEFORE THE INSTALLATION OF THE LIGHT POLE.
7. ANCHOR BOLTS SHALL BE 25.4 mm (1-INCH) DIAMETER AND SHALL COMPLY WITH THE REQUIREMENTS OF ASTM DESIGNATION A687.
8. CONTRACTOR SHALL FILL HOLLOW FOUNDATION WITH DENSELY PACKED SAND AS SPECIFIED.



HELIX FOUNDATION SIZE

POLE MOUNTING HEIGHT	BOLT CIRCLE "d"	SHAFT LENGTH "A"		SHAFT DIA. "D" I.D.
		ON FLAT GROUND	ON 2:1 OR STEEP SLOPE	
14.478 m (47'-1 1/2 FT.)	381.0 mm (15")	3,048 mm (10'-0")	3,048 mm (10'-0")	254.0 mm (10")
30 FT	11 1/2"	6 FT	6 FT	8" I.D. 8.62" O.D.

DATE-TIME
DGN-SPEC
VI-BE19

REVISED 9-11-04

ILLINOIS DEPARTMENT OF TRANSPORTATION
ELK GROVE VILLAGE
DEVON AVENUE @ WOOD DALE ROAD/TONNE ROAD
LIGHTING UNIT 30'-0" MOUNTING HEIGHT AND LIGHT POLE FOUNDATION, METAL
SCALE: NONE
DATE 5-20-04
DRAWN BY
CHECKED BY