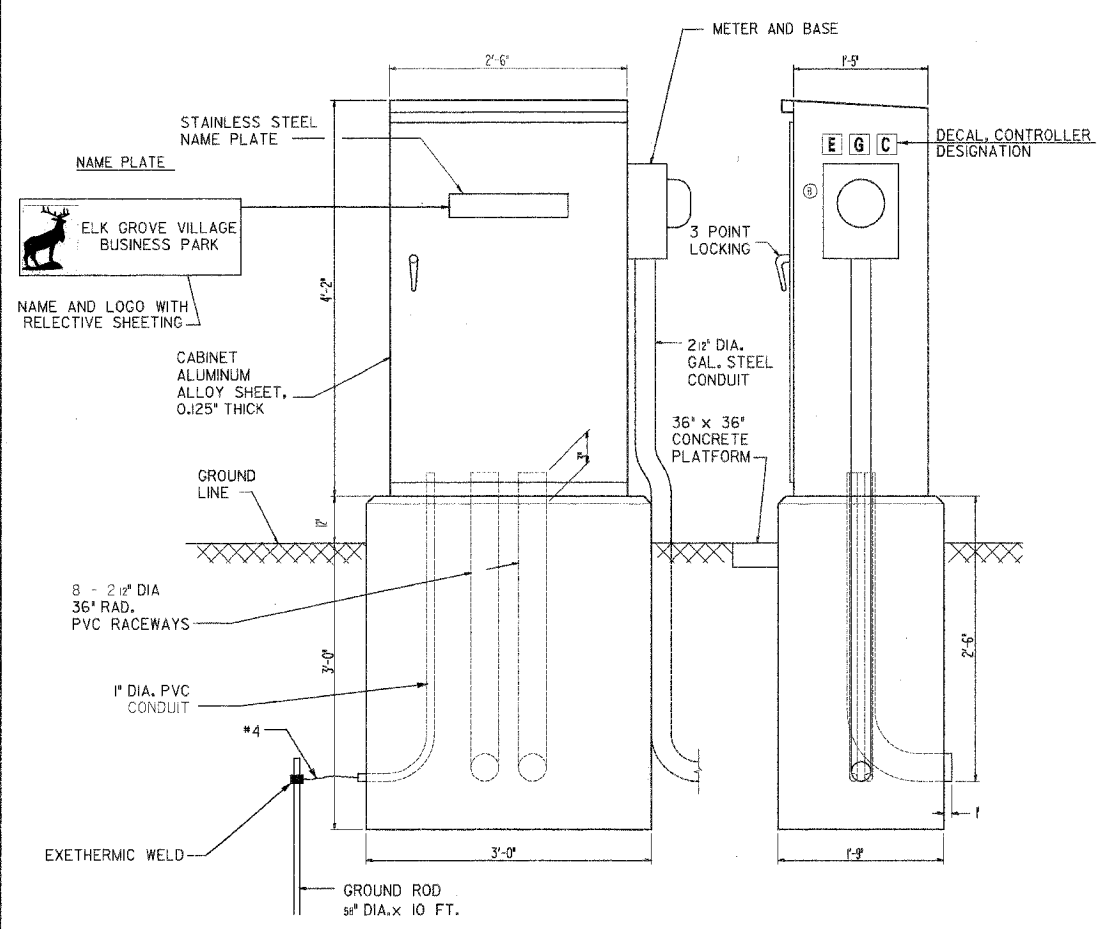


ELK GROVE VILLAGE 99-00041-00-CH
CONTRACT NO. 83766



LIGHTING CONTROLLER, SPECIAL CONTROL CABINET DETAILS

NOTES

THE CABINET SHALL BE FABRICATED FROM 0.125" THICK ALUMINUM ALLOY SHEET AND SHALL BE REINFORCED WITH ALUMINUM ANGLES. THE CABINET DOOR SHALL BE NEMA TYPE 3 CONSTRUCTION WITH NEOPRENE GASKET. THE DOOR SHALL HAVE STAINLESS STEEL HINGES AND THREE POINT LOCKING SYSTEM.

THE CONTRACTOR SHALL REMOVE VEGETATION AND TOPSOIL, LEVEL THE AREA IN FRONT OF THE CONTROL CABINET DOOR AND PLACE LENGTH WISE, PARALLEL TO CONTROL CABINET, A PRECAST PAD, 36"x36"x3" MINIMUM SIZE. THE COST OF LABOR AND MATERIALS SHALL BE INCIDENTAL TO THE CONTROL CABINET.

CONTROL WIRE SHALL BE #12 AWG, 600V, TYPE 'SIS' STRANDED COPPER GRAY SWITCH BOARD WIRE. THE ENDS OF ALL CONTROL WIRES SHALL BE IDENTIFIED.

ALL WIRING WITHIN THE CABINET SHALL BE COLOR CODED AS INDICATED.
R = RED BL = BLUE W = WHITE
B = BLACK Y = YELLOW G = GREEN

THE ELECTRIC METER BOX SHALL BE MOUNTED ON THE SIDE OF THE CONTROL CABINET, NEAR TO THE SERVICE POLE AND/OR AS DIRECTED BY THE ENGINEER.

ALL CONTROL CABINET ITEMS SHALL HAVE SUITABLE IDENTIFICATION. OPEN CIRCUIT BREAKERS, CONTACTORS AND OTHER OPEN DEVICES SHALL HAVE PERMANENT SELF STICKING TAGS. DEVICES IN ENCLOSURES SHALL HAVE ENGRAVED 2-COLOR LAMINATED PLASTIC NAMEPLATES ATTACHED TO ENCLOSURES WITH SCREWS. NAMEPLATES SHALL BE ENGRAVED TO CORRESPOND TO DESIGNATIONS ON THE DRAWINGS. INTERNAL CABINET WIRING SHALL BE IDENTIFIED AS INDICATED OR AS DIRECTED BY THE ENGINEER BY MEANS OF SELF-STICKING TAGS APPLIED AT EACH CONNECTED END. IDENTIFICATION SHALL BE MADE BY THE CABINET MANUFACTURE.

ALL WIRING SHALL BE NEATLY DRESSED AND SUPPORTED.

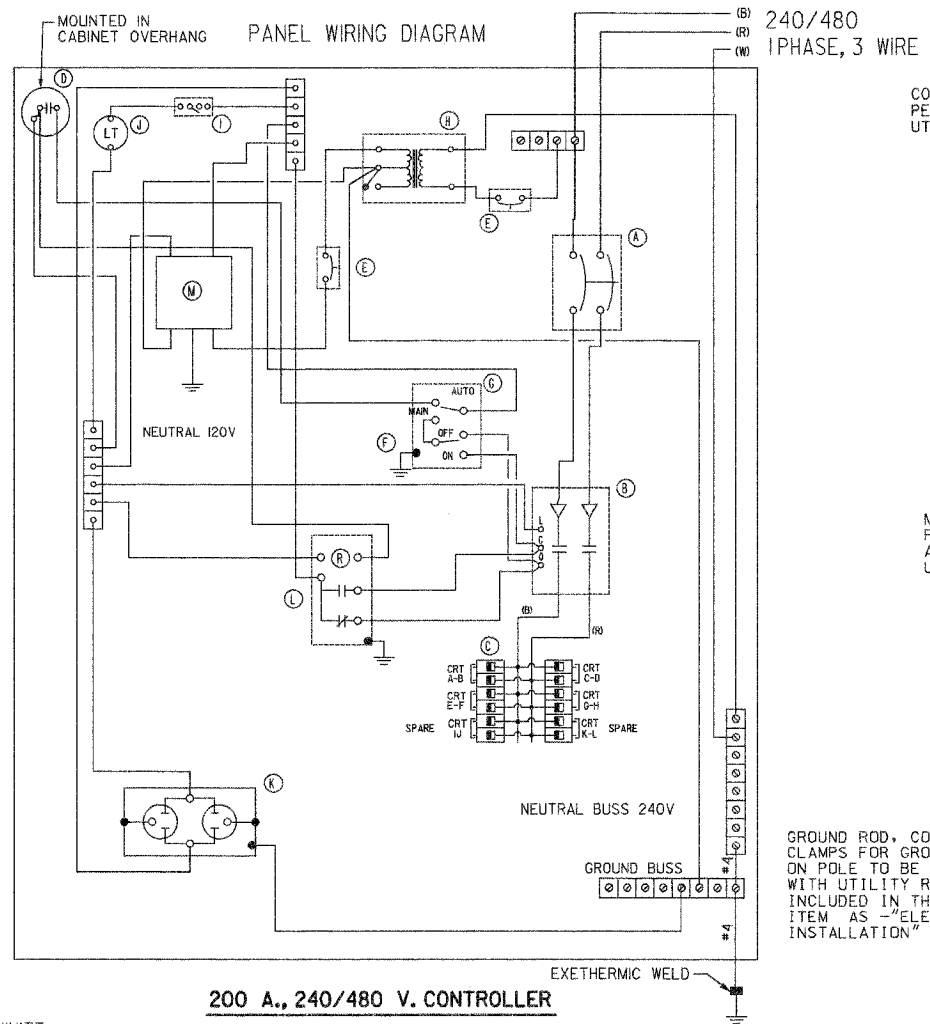
THE HEADS OF CONNECTOR SCREWS SHALL BE PAINTED WHITE FOR NEUTRAL BUSS CONNECTION AND GREEN FOR GROUND BUSS CONNECTORS.

PROVIDE SEALING GROMMETS FOR ALL OPEN WIRING EXTENDED FROM DEVICES IN BOXES WITHIN THE CONTROL CABINET.

THE CONTROLLER SHALL BE CONSTRUCTED TO U.L. STD. 508 AND BEAR THE U.L. LABEL "ENCLOSED INDUSTRIAL CONTROL PANEL".

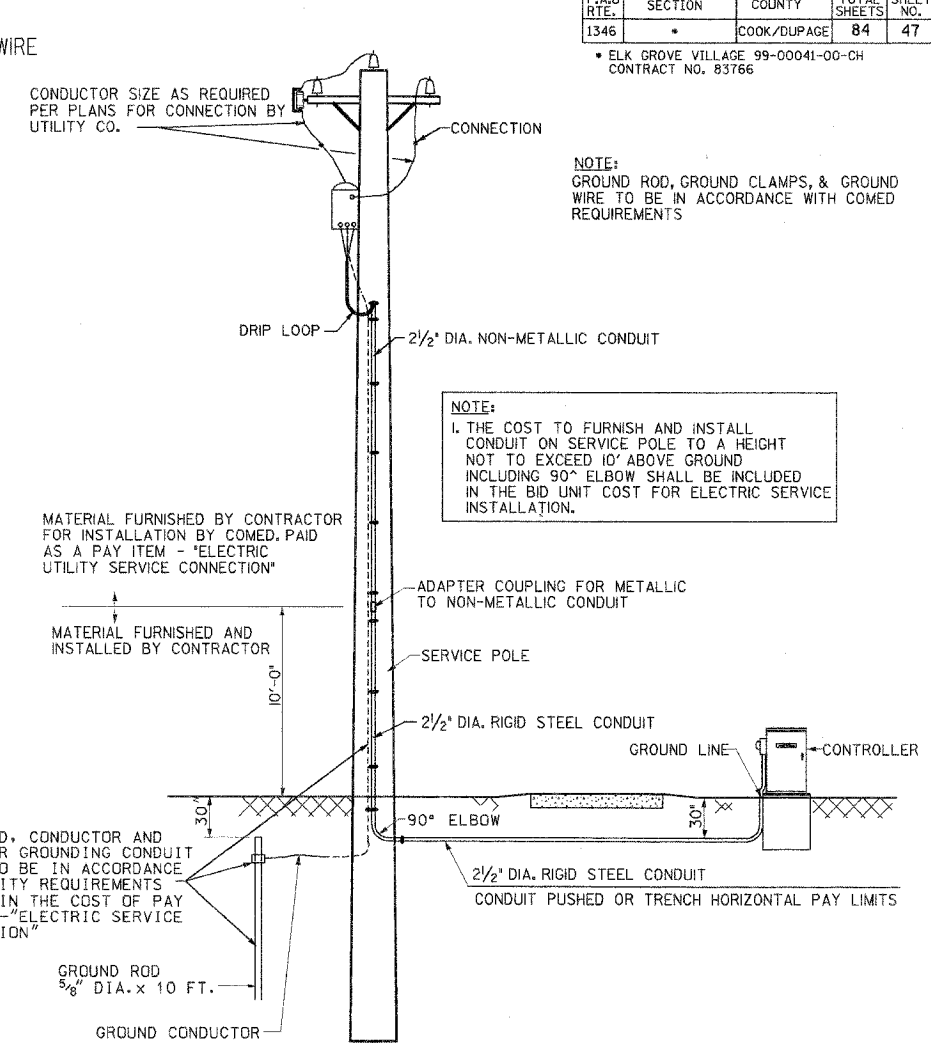
PROVIDE A HOLDER AND WATERPROOF POUCH ON THE INNER SIDE OF THE CONTROLLER DOOR. THE HOLDER AND POUCH SHALL BE MOUNTED SO THAT RAIN WATER OR CONDENSED WATER CANNOT ENTER THE POUCH WITH THE CABINET DOOR OPEN. FURNISH THE APPROVED COPY OF THE "CONTROL CABINET WIRING DIAGRAM".

THE CABINET SHALL BE PAINTED IN DARK BRONZE FINISH.

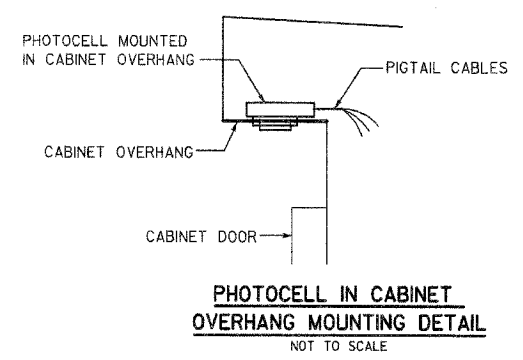


200 A., 240/480 V. CONTROLLER

DEVICE SCHEDULE		
ITEM	QUANT.	DESCRIPTION
A	1	200 AMP CIRCUIT BREAKER, MOLDED CASE, THERMAL MAGNETIC, 2-POLE, SINGLE THROW, 600V FRAME, NON-INTERCHANGABLE TRIP, BOLT ON TYPE, INTERRUPTING CAPACITY OF NOT LESS THAN 25,000 RMS SYMMETRICAL AMPERES AT 600V.
B	1	200 A., ELECTRICALLY OPERATED AND MECHANICALLY HELD LIGHTING CONTACTOR, 2-POLE, 600 V. WITH 120 V. COIL.
C	12	240/480 V. 1PHASE PANEL BOARD WITH 200 A. COPPER MAINS SINGLE POLE, 30 A., 277 V. BOLT ON BRANCH CIRCUIT BREAKERS INTERRUPTING CAPACITY OF NOT LESS THAN 14,000 RMS SYMMETRICAL AMPERES AT 277V.
D	1	PHOTO-ELECTRIC CELL, 120V, MOUNT ON CABINET
E	2	THERMAL MAGNETIC, MOLDED CASE CIRCUIT BREAKER, 1POLE, 15 A., 277 V. BOLT ON TYPE, INTERRUPTING CAPACITY OF NOT LESS THAN 14,000 RMS SYMMETRICAL AMPERES AT 277V.
F	1	CONTROL SWITCH, MOMENTARY CONTACT, SPDT, 15 A., 240 V.
G	1	CONTROL SWITCH, TOGGLE TYPE, SPDT, 20 A., 240 V. SPEC. GRADE
H	1	240/120V. STEP DOWN CONTROL TRANSFORMER 750 VA RATED
I	1	MICRO SWITCH (MOUNTED WITH ACTUATOR TO SWITCH WHEN DOOR IS OPEN)
J	1	60 WATT LIGHT FIXTURE VAPORTIGHT WITH GLOBE, GUARD AND MOUNTING BOX
K	1	120 VOLT, 15A. GFCI RECEPTACLE, SPECIFICATION GRADE IN NEMA 5-15R WEATHER PROOF BOX WITH FLAP-TYPE COVER
L	1	POWER RELAY WITH CONTACTS RATED FOR CONTACTOR INRUSH CURRENT - 120 V COIL
M	1	SURGE ARRESTOR, 5 WIRE EDCO 4803 OR EQUAL.



PROPOSED SERVICE INSTALLATION POLE TOP MOUNTED TRANSFORMER



PHOTOCELL IN CABINET OVERHANG MOUNTING DETAIL
NOT TO SCALE

THIS DRAWING IS THE EXCLUSIVE PROPERTY OF SUNJOY INC. AND IS PROVIDED ONLY FOR THE PROJECT LISTED ON THIS DRAWING. THIS DRAWING SHALL NOT BE DUPLICATED, USED OR DISCLOSED, IN WHOLE OR IN PART, FOR ANY PURPOSE WHATSOEVER WITHOUT THE WRITTEN PERMISSION OF SUNJOY INC.

212 TIMBERCREST DRIVE
SCHAUMBURG, ILLINOIS
60193-1572

ILLINOIS DEPARTMENT OF TRANSPORTATION
ELK GROVE VILLAGE
DEVON AVENUE @ WOOD DALE ROAD/TORNE ROAD

**LIGHTING CONTROLLER, SPECIAL
200 AMPERE - 240/480 VOLT**

SCALE: _____ DRAWN BY: HMQ
DATE: 04-25-04 CHECKED BY: JS

REVISION 11-25-04