

TIME: 07:59:28 AM

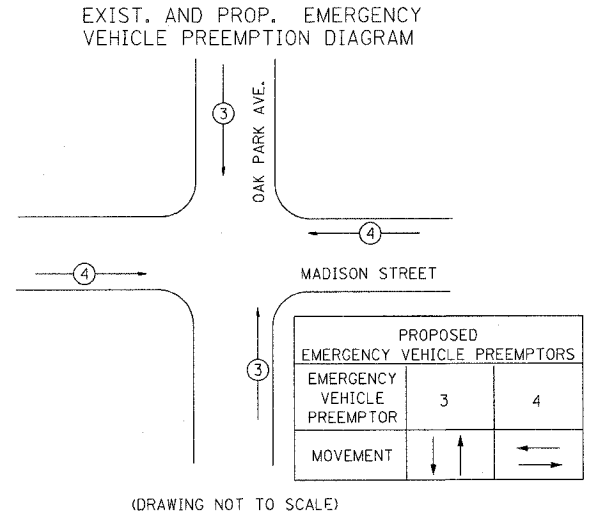
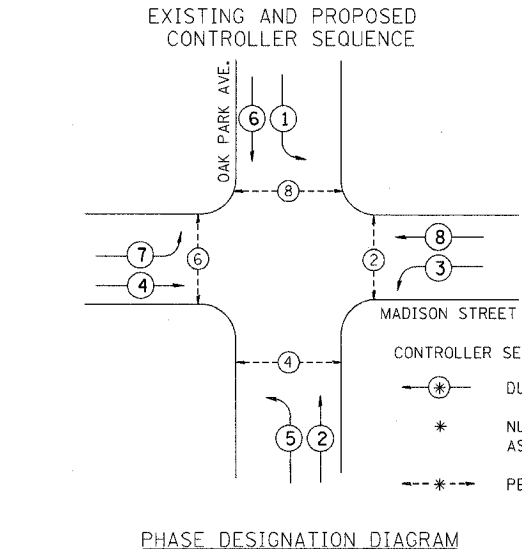
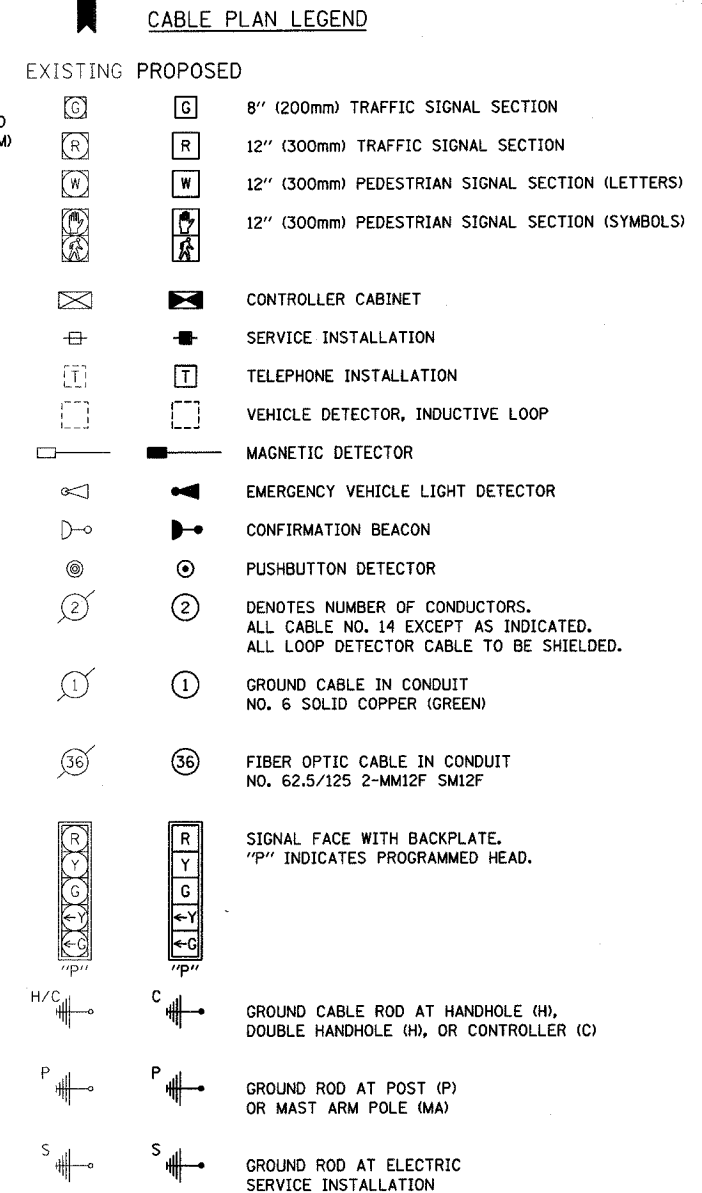
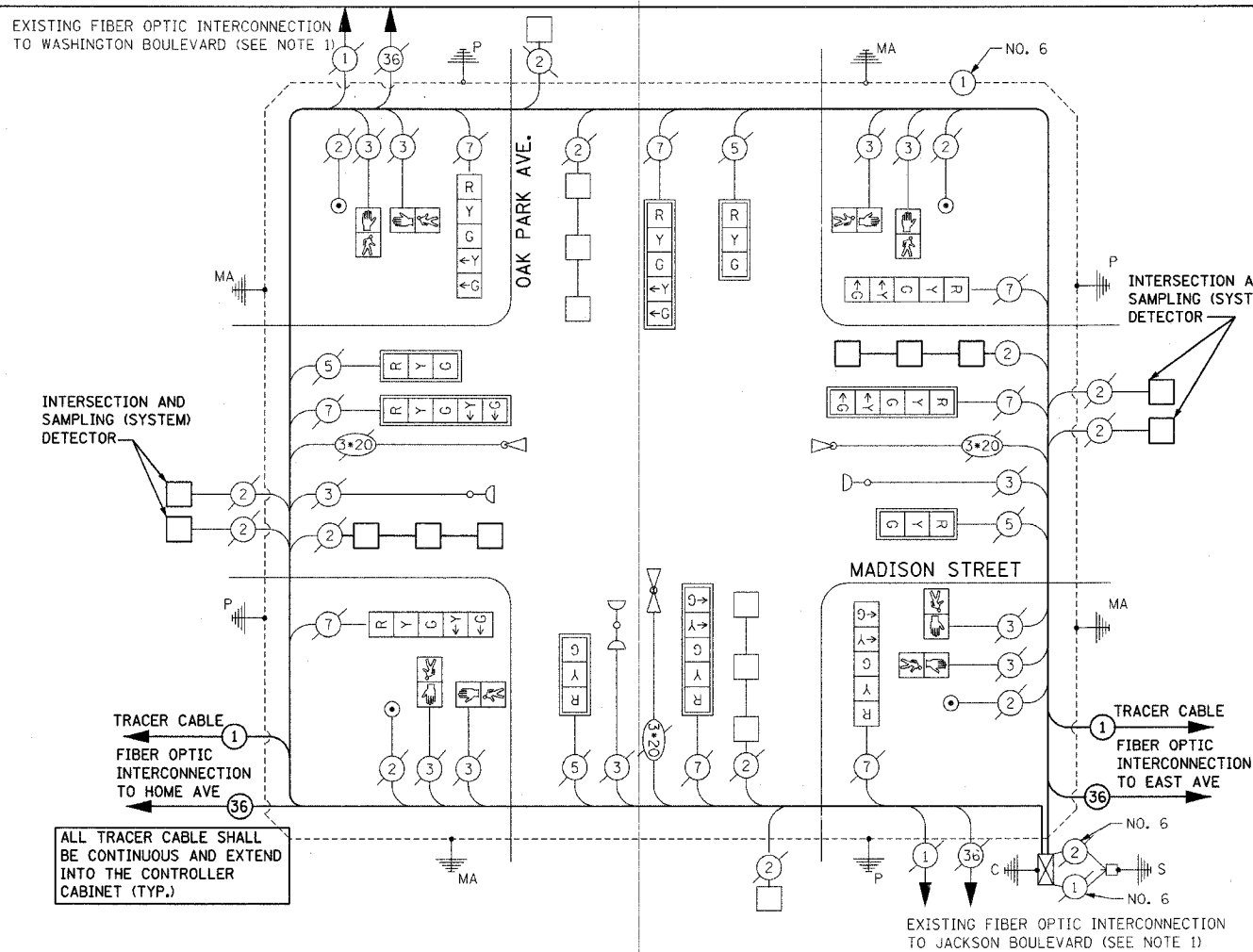
DATE: 06/06/2005

FILENAME: s:\@san\751-800\784\432\micross\cable plans\oak park.dgn

ITEM	UNIT	QUANTITY
MAINTENANCE OF EXISTING TRAFFIC SIGNAL INSTALLATION	EACH	1
DRILL EXISTING HANDHOLE	EACH	8
DETECTOR LOOP, TYPE I	FOOT	341

F.A. RTE.	SECTION	COUNTY	TOTAL SHEETS	SHEET NO.
1419	04-00239-00-TL	COOK	34	12
STA.		TO STA.		
FED. ROAD DIST. NO.		ILLINOIS FED. AID PROJECT		

83792



I.D.O.T. TRAFFIC SIGNAL INSTALLATION ELECTRICAL SERVICE REQUIREMENTS

TYPE	NO. LAMPS	WATTAGE		%OPERATION	TOTAL WATTAGE
		INCAND.	LED		
SIGNAL (RED)	12		17	0.50	102
(YELLOW)	12		25	0.25	75
(GREEN)	12		15	0.25	45
ARROW	16		12	0.10	19.2
PED. SIGNAL	8		25	1.00	200
CONTROLLER	1		100	1.00	100
ILLUM. SIGN				0.05	0

FLASHER	1			0.50	0
ENERGY COSTS TO:	TOTAL =				541.2
VILLAGE OF OAK PARK					
ENERGY SUPPLY CONTACT:	Commonwealth Edison				
PHONE:					
COMPANY:					

FOUNDATION (DEPTH)	FT. (m)	CABLE SLACK	FT. (m)	VERTICAL	FT. (m)
TYPE A - POST	4 (1.2)	HANDHOLE	6.5 (2.0)	ALL FOUNDATIONS	3.5 (1.0)
D - CONTROLLER	4 (1.2)	DOUBLE HANDHOLE	13 (4.0)	MAST ARM (L) POLE	20'+L-2' (6m+L-0.6m)
E - M. ARM POLE		SIGNAL POST	2 (1.0)		
24" (600 mm)	10 (3.0)	CONTROLLER CAB.	1 (0.5)	BRACKET MOUNTED	13 (4.0)
30" (750 mm)	15 (4.6)	FIBER OPTIC	13 (4.0)	PED. PUSHBUTTON	4 (1.2)
		ELECTRIC SERVICE	1 (0.5)	ELECTRICAL SERVICE	13.5 (4.1)
		GROUND CABLE	1 (0.5)	SERVICE TO GROUND	13.5 (4.1)
				POST MOUNTED	6 (1.8)



REVISIONS		ILLINOIS DEPARTMENT OF TRANSPORTATION
NAME	DATE	
		FAU 1419 MADISON STREET CABLE PLAN MADISON STREET & OAK PARK AVENUE
		VERT. SCALE: DATE: 06/06/2005
		DRAWN BY: RCB CHECKED BY: _____ TRAFFIC SIGNAL PLAN