

TIME: 07:59:26 AM

DATE: 06/06/2005

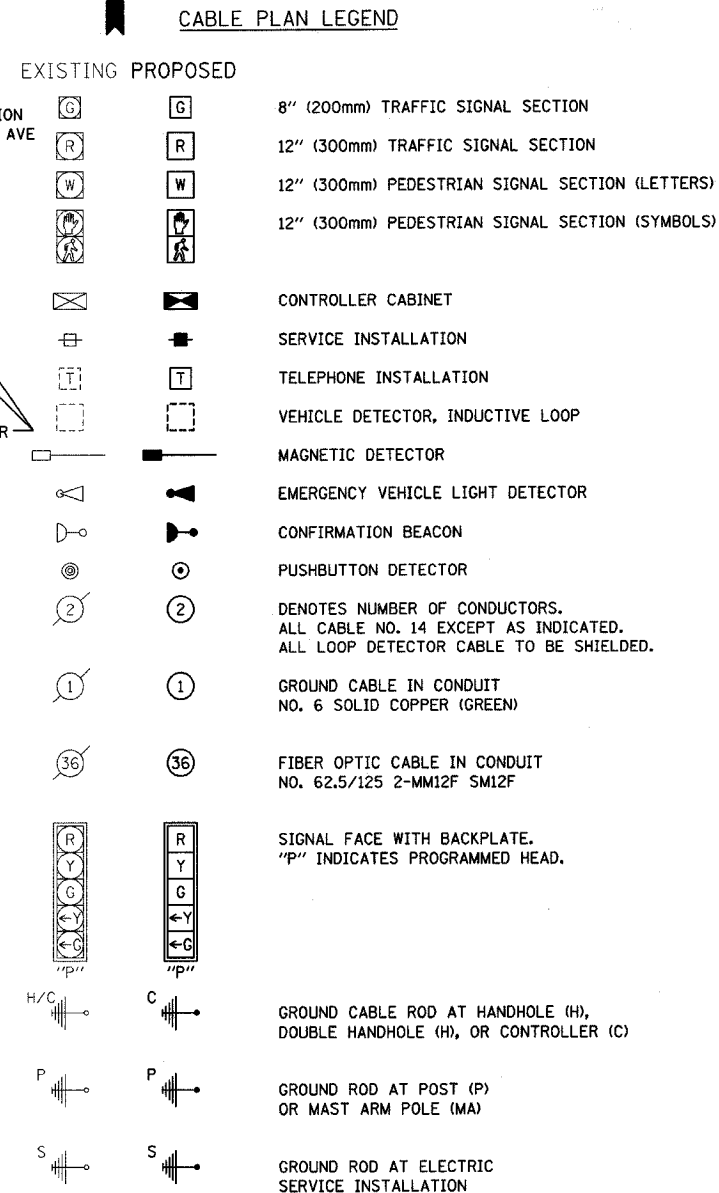
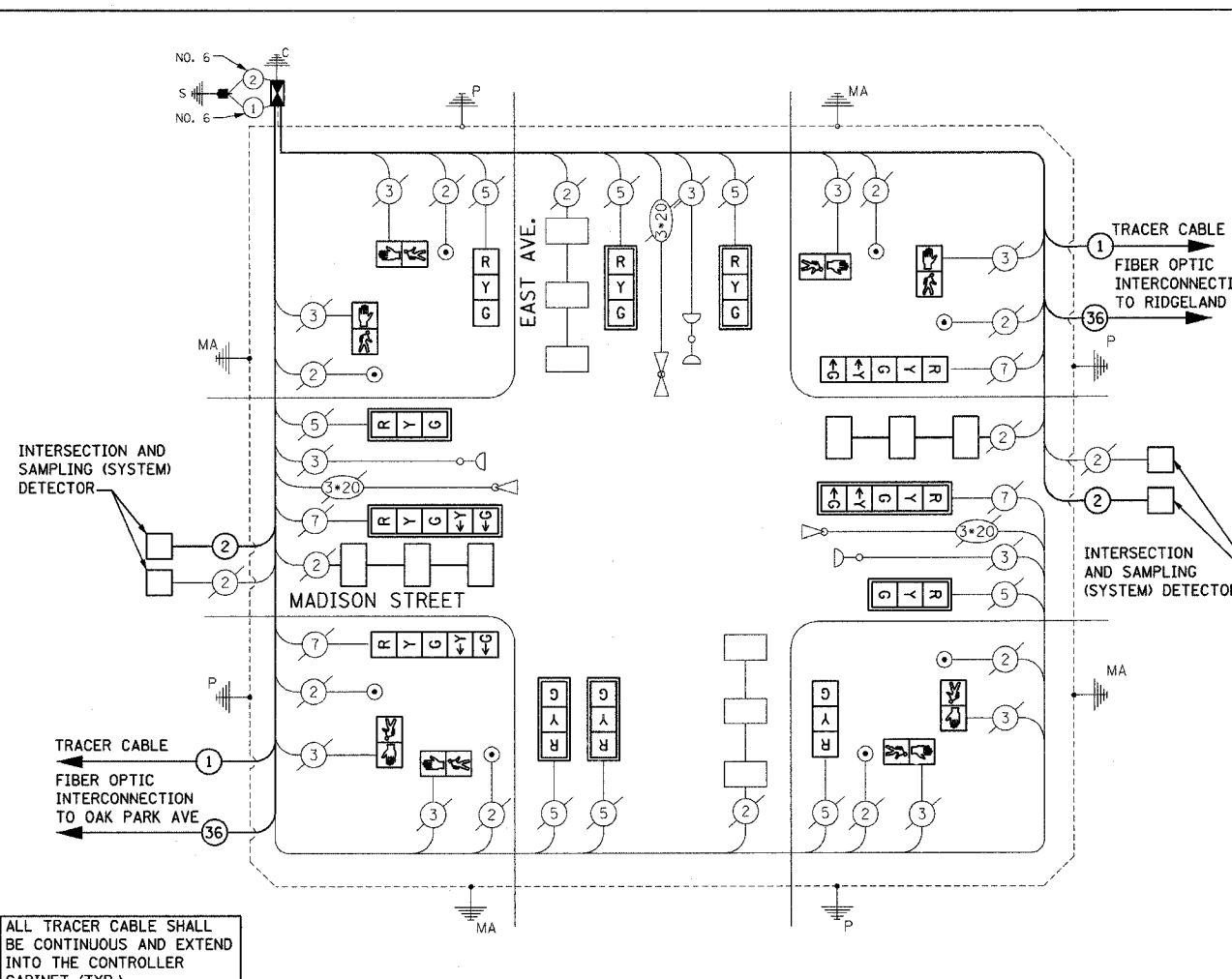
FILENAME: s:\@sm\751-800\744\432\micro\cable\plans\east.dgn

F.A. RTE.	SECTION	COUNTY	TOTAL SHEETS	SHEET NO.
1419	04-00239-00-TL	COOK	34	15
STA.		TO STA.		
FED. ROAD DIST. NO.		ILLINOIS	FED. AID PROJECT	

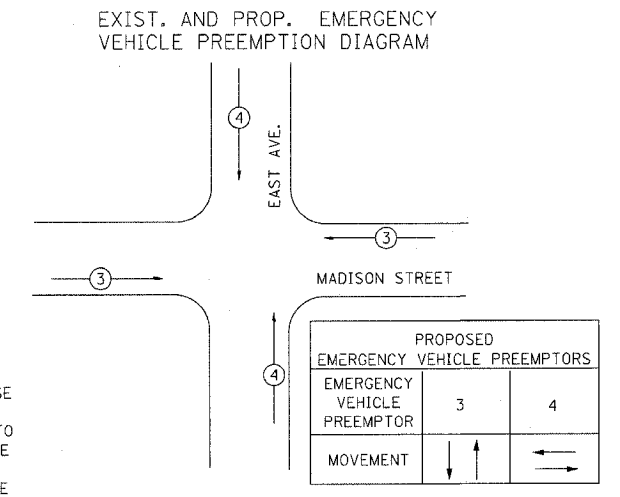
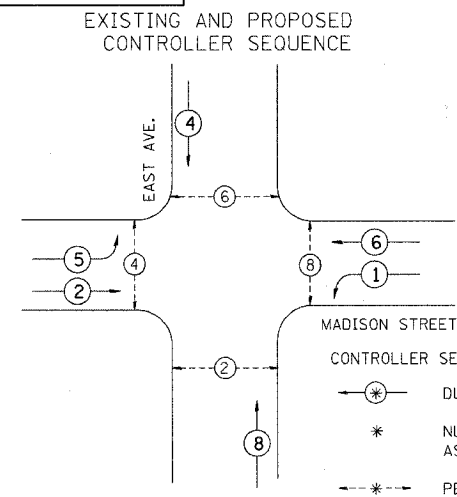
83792

ITEM	UNIT	QUANTITY
CONDUIT PUSHED, 2" DIA., GALVANIZED STEEL	FOOT	357
CONDUIT PUSHED, 4" DIA., GALVANIZED STEEL	FOOT	68
MAINTENANCE OF EXISTING TRAFFIC SIGNAL INSTALLATION	EACH	1
FULL- ACTUATED CONTROLLER IN EXISTING CABINET	EACH	1
ELECTRIC CABLE IN CONDUIT, LEAD-IN, NO. 14 1 PAIR	FOOT	660
DRILL EXISTING HANDHOLE	EACH	14
TRAFFIC SIGNAL BACKPLATE	EACH	8
INDUCTIVE LOOP DETECTOR	EACH	2
DETECTOR LOOP, TYPE I	FOOT	350
REMOVE EXISTING TRAFFIC SIGNAL EQUIPMENT	EACH	1
SIGNAL HEAD, LED, 1-FACE, 3-SECTION, MAST ARM MOUNTED	EACH	6
SIGNAL HEAD, LED, 1-FACE, 3-SECTION, BRACKET MOUNTED	EACH	2
SIGNAL HEAD, LED, 1-FACE, 5-SECTION, BRACKET MOUNTED	EACH	2
SIGNAL HEAD, LED, 1-FACE, 5-SECTION, MAST ARM MOUNTED	EACH	2
PEDESTRIAN SIGNAL HEAD, LED, 1-FACE, BRACKET MOUNTED	EACH	8

THE CONTRACTOR SHALL REPLACE ALL EXISTING SIGNAL HEADS AND PEDESTRIAN SIGNAL HEADS WITH L.E.D. (LIGHT EMITTING DIODE) SIGNAL HEADS.



ALL TRACER CABLE SHALL BE CONTINUOUS AND EXTEND INTO THE CONTROLLER CABINET (TYP.)



I.D.O.T. TRAFFIC SIGNAL INSTALLATION ELECTRICAL SERVICE REQUIREMENTS

TYPE	NO. LAMPS	WATTAGE		%OPERATION	TOTAL WATTAGE
		INCAND.	LED		
SIGNAL (RED)	12		17	0.50	102
(YELLOW)	12		25	0.25	75
(GREEN)	12		15	0.25	45
ARROW	8		12	0.10	9.6
PED. SIGNAL	8		25	1.00	200
CONTROLLER	1		100	1.00	100
ILLUM. SIGN				0.05	0
FLASHER	1			0.50	0

ENERGY COSTS TO: TOTAL = 531.6

VILLAGE OF OAK PARK

ENERGY SUPPLY CONTACT: _____
 PHONE: _____
 COMPANY: Commonwealth Edison

FOUNDATION (DEPTH)	FT. (m)	CABLE SLACK	FT. (m)	VERTICAL	FT. (m)
TYPE A - POST	4 (1.2)	HANDHOLE	6.5 (2.0)	ALL FOUNDATIONS	3.5 (1.0)
D - CONTROLLER	4 (1.2)	DOUBLE HANDHOLE	13 (4.0)	MAST ARM (L) POLE	20'+L-2' (6m+L-0.6m)
E - M. ARM POLE		SIGNAL POST	2 (1.0)		
24" (600 mm)	10 (3.0)	CONTROLLER CAB.	1 (0.5)	BRACKET MOUNTED	13 (4.0)
30" (750 mm)	15 (4.6)	FIBER OPTIC	13 (4.0)	PED. PUSHBUTTON	4 (1.2)
		ELECTRIC SERVICE	1 (0.5)	ELECTRICAL SERVICE	13.5 (4.1)
		GROUND CABLE	1 (0.5)	SERVICE TO GROUND	13.5 (4.1)
				POST MOUNTED	6 (1.8)



REVISIONS		ILLINOIS DEPARTMENT OF TRANSPORTATION
NAME	DATE	
		FAU 1419 MADISON STREET CABLE PLAN MADISON STREET & EAST AVE.
		VERT. SCALE: _____ HORIZ. SCALE: _____ DATE: 06/06/2005
		DRAWN BY: RCB CHECKED BY: _____ TRAFFIC SIGNAL PLAN