

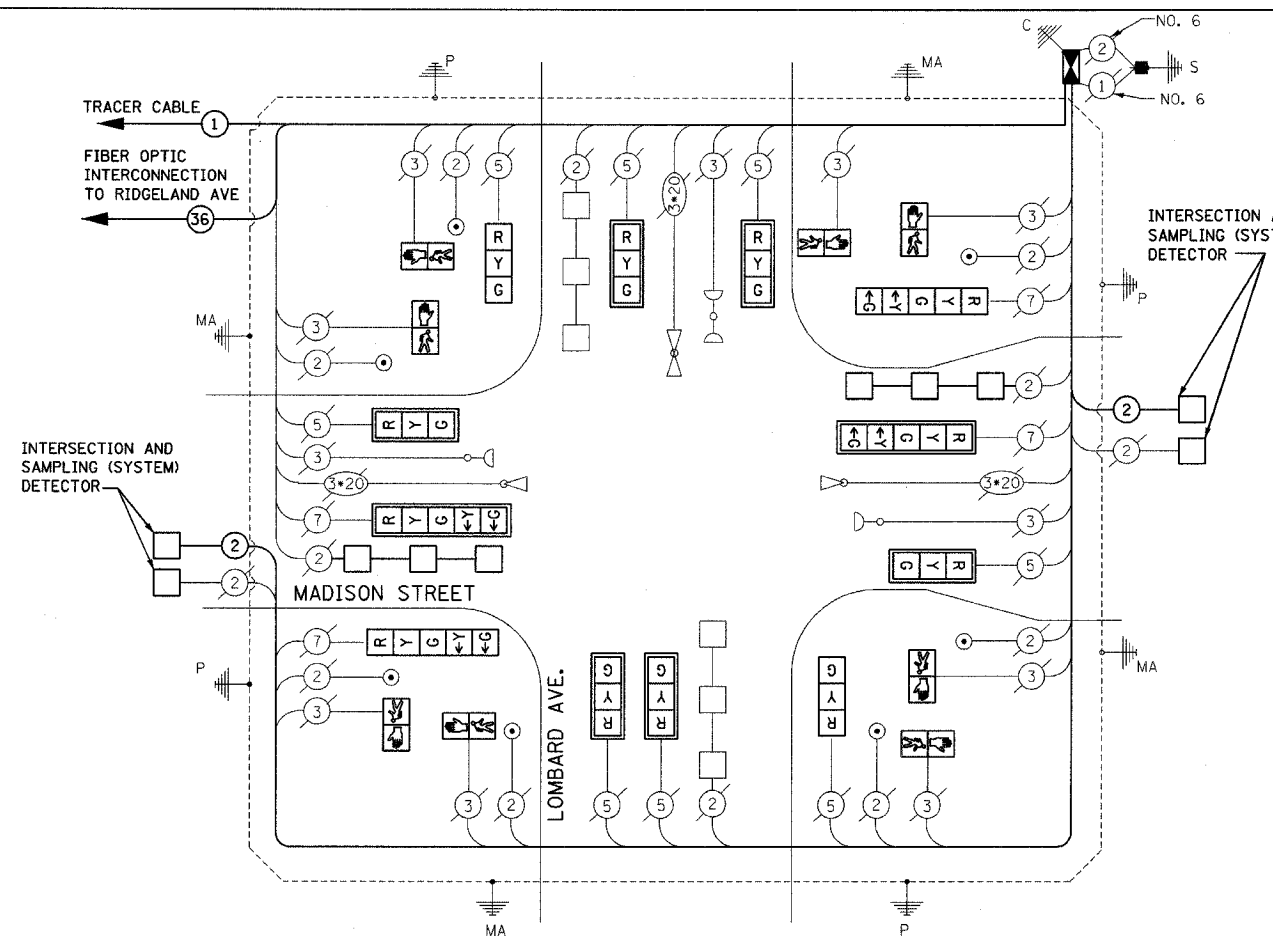
TIME: 07:59:22 AM

DATE: 06/06/2005

FILENAME: s:\@941751-000\784\432\micro\cable Plans\lombard.dgn

ITEM	UNIT	QUANTITY
CONDUIT PUSHED, 4" DIA., GALVANIZED STEEL	FOOT	60
MAINTENANCE OF EXISTING TRAFFIC SIGNAL INSTALLATION	EACH	1
FULL- ACTUATED CONTROLLER IN EXISTING CABINET	EACH	1
ELECTRIC CABLE IN CONDUIT, LEAD-IN, NO. 14 1 PAIR	FOOT	677
DRILL EXISTING HANDHOLE	EACH	10
TRAFFIC SIGNAL BACKPLATE	EACH	8
INDUCTIVE LOOP DETECTOR	EACH	2
DETECTOR LOOP, TYPE I	FOOT	332
REMOVE EXISTING TRAFFIC SIGNAL EQUIPMENT	EACH	1
SIGNAL HEAD, LED, 1-FACE, 3-SECTION, MAST ARM MOUNTED	EACH	6
SIGNAL HEAD, LED, 1-FACE, 3-SECTION, BRACKET MOUNTED	EACH	2
SIGNAL HEAD, LED, 1-FACE, 5-SECTION, BRACKET MOUNTED	EACH	2
SIGNAL HEAD, LED, 1-FACE, 5-SECTION, MAST ARM MOUNTED	EACH	2
PEDESTRIAN SIGNAL HEAD, LED, 1-FACE, BRACKET MOUNTED	EACH	8

THE CONTRACTOR SHALL REPLACE ALL EXISTING SIGNAL HEADS AND PEDESTRIAN SIGNAL HEADS WITH L.E.D. (LIGHT EMITTING DIODE) SIGNAL HEADS.



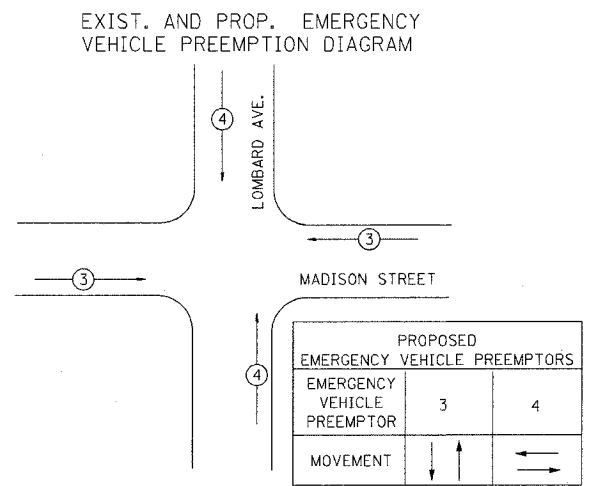
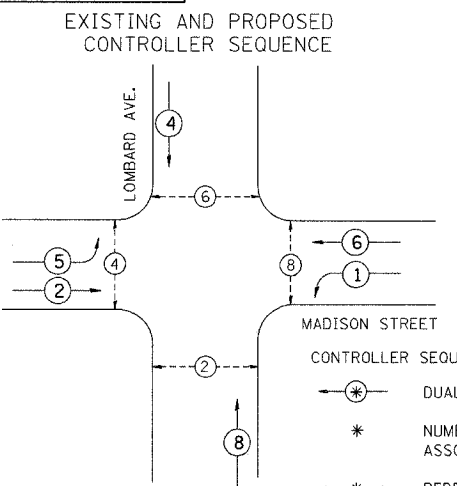
ALL TRACER CABLE SHALL BE CONTINUOUS AND EXTEND INTO THE CONTROLLER CABINET (TYP.)

F.A. RTE.	SECTION	COUNTY	TOTAL SHEETS	SHEET NO.
1419	04-00239-00-TL	COOK	34	21
STA.		TO STA.		
FED. ROAD DIST. NO.		ILLINOIS	FED. AID PROJECT	

83792

CABLE PLAN LEGEND

	G	8" (200mm) TRAFFIC SIGNAL SECTION
	R	12" (300mm) TRAFFIC SIGNAL SECTION
	W	12" (300mm) PEDESTRIAN SIGNAL SECTION (LETTERS)
		12" (300mm) PEDESTRIAN SIGNAL SECTION (SYMBOLS)
		CONTROLLER CABINET
		SERVICE INSTALLATION
	T	TELEPHONE INSTALLATION
		VEHICLE DETECTOR, INDUCTIVE LOOP
		MAGNETIC DETECTOR
		EMERGENCY VEHICLE LIGHT DETECTOR
		CONFIRMATION BEACON
		PUSHBUTTON DETECTOR
	2	DENOTES NUMBER OF CONDUCTORS. ALL CABLE NO. 14 EXCEPT AS INDICATED. ALL LOOP DETECTOR CABLE TO BE SHIELDED.
	1	GROUND CABLE IN CONDUIT NO. 6 SOLID COPPER (GREEN)
	36	FIBER OPTIC CABLE IN CONDUIT NO. 62.5/125 2-MM12F SM12F
		SIGNAL FACE WITH BACKPLATE. "P" INDICATES PROGRAMMED HEAD.
	C	GROUND CABLE ROD AT HANDHOLE (H), DOUBLE HANDHOLE (H), OR CONTROLLER (C)
	P	GROUND ROD AT POST (P) OR MAST ARM POLE (MA)
	S	GROUND ROD AT ELECTRIC SERVICE INSTALLATION



I.D.O.T. TRAFFIC SIGNAL INSTALLATION ELECTRICAL SERVICE REQUIREMENTS

TYPE	NO. LAMPS	WATTAGE		%OPERATION	TOTAL WATTAGE
		INCAND.	LED		
SIGNAL (RED)	12		17	0.50	102
(YELLOW)	12		25	0.25	75
(GREEN)	12		15	0.25	45
ARROW	8		12	0.10	9.6
PED. SIGNAL	8		25	1.00	200
CONTROLLER	1		100	1.00	100
ILLUM. SIGN				0.05	0

FLASHER	1			0.50	0
ENERGY COSTS TO:					TOTAL = 531.6
VILLAGE OF OAK PARK					
ENERGY SUPPLY CONTACT:					
PHONE:					
COMPANY: Commonwealth Edison					

FOUNDATION (DEPTH)	FT. (m)	CABLE SLACK	FT. (m)	VERTICAL	FT. (m)
TYPE A - POST	4 (1.2)	HANDHOLE	6.5 (2.0)	ALL FOUNDATIONS	3.5 (1.0)
D - CONTROLLER	4 (1.2)	DOUBLE HANDHOLE	13 (4.0)	MAST ARM (L) POLE	20'+L-2= (6m+L-0.6m)
E - M. ARM POLE		SIGNAL POST	2 (1.0)		
24" (600 mm)	10 (3.0)	CONTROLLER CAB.	1 (0.5)	BRACKET MOUNTED	13 (4.0)
30" (750 mm)	15 (4.6)	FIBER OPTIC	13 (4.0)	PED. PUSHBUTTON	4 (1.2)
		ELECTRIC SERVICE	1 (0.5)	ELECTRICAL SERVICE	13.5 (4.1)
		GROUND CABLE	1 (0.5)	SERVICE TO GROUND	13.5 (4.1)
				POST MOUNTED	6 (1.8)



REVISIONS		ILLINOIS DEPARTMENT OF TRANSPORTATION
NAME	DATE	
		FAU 1419 MADISON STREET CABLE PLAN MADISON STREET & LOMBARD AVENUE
		VERT. SCALE: 1"=20'
		HORIZ. SCALE: 1"=40'
		DATE: 06/06/2005
		DRAWN BY: RCB
		CHECKED BY: _____
		TRAFFIC SIGNAL PLAN