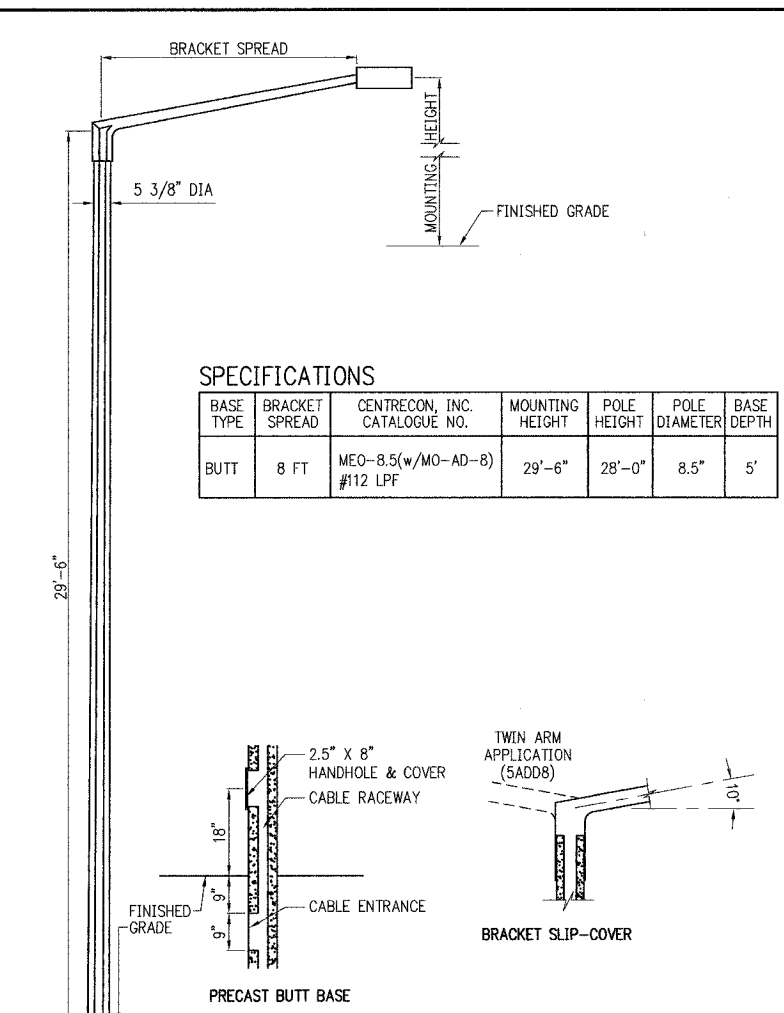
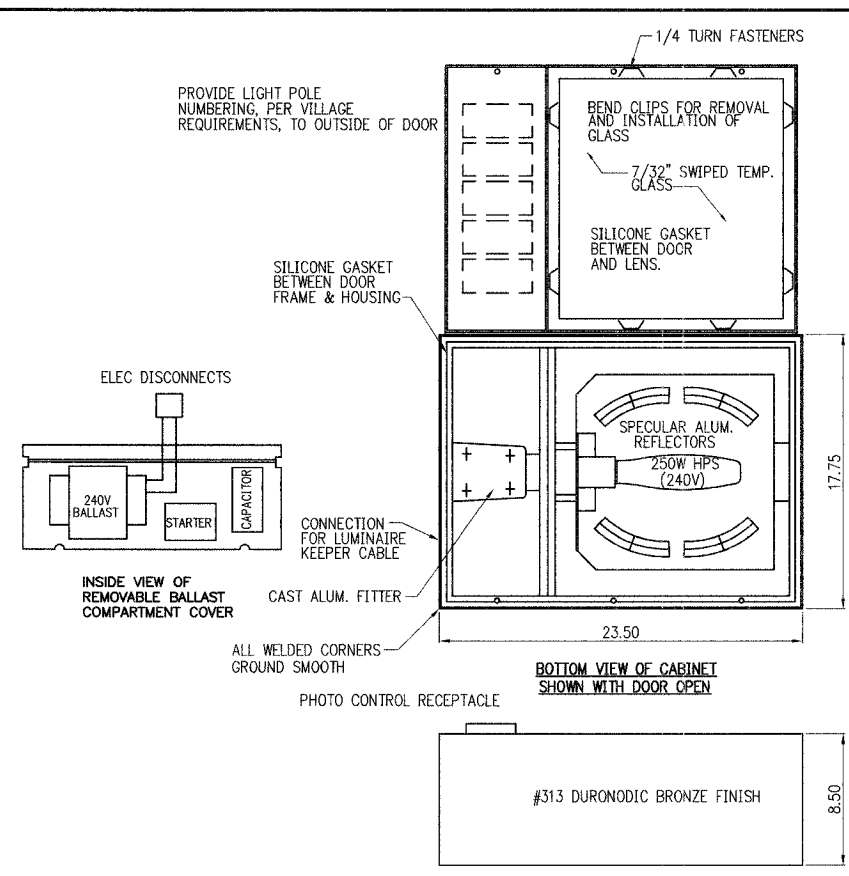
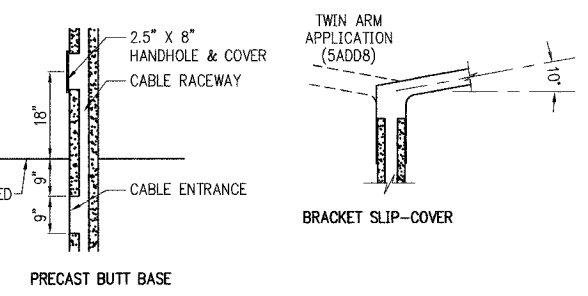


FILE #	SECTION	COUNTY	TOTAL SHEETS	SHEET NO.
CH	A47	LAKE	176	130
STA.	TO STA.			
03-00088-00-PP	BLANDS		SURFACE TRANSPORTATION PLACING	
CONTRACT NUMBER 83807				

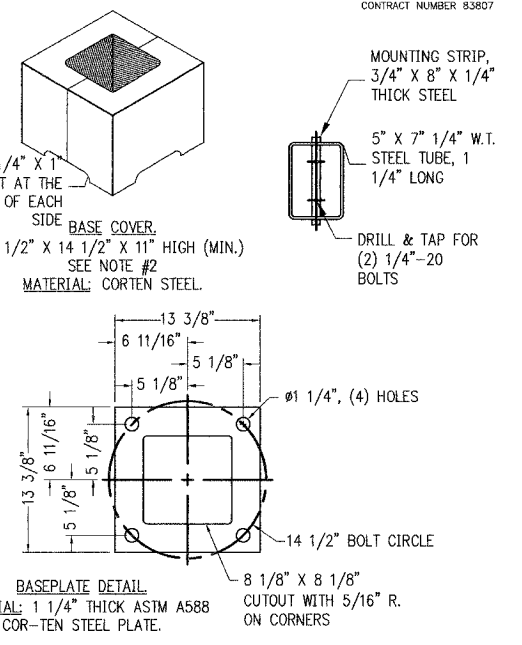
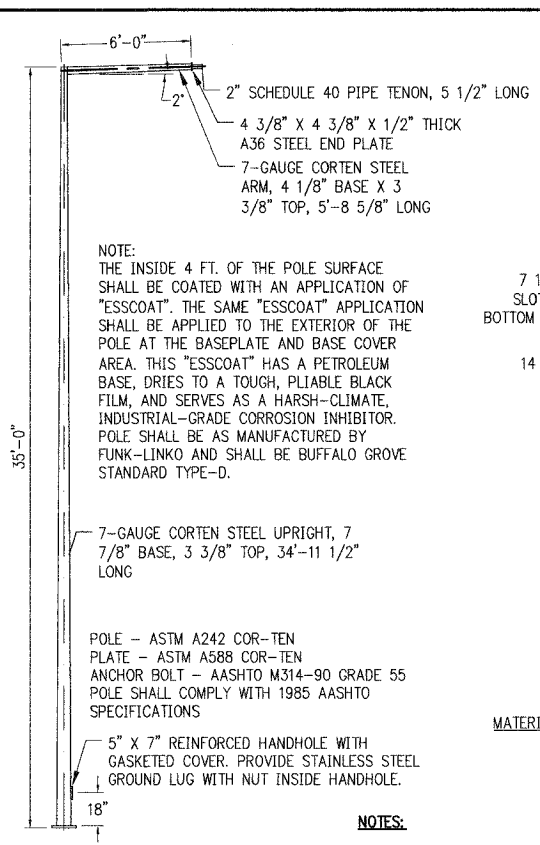


SPECIFICATIONS

BASE TYPE	BRACKET SPREAD	CENTRECON, INC. CATALOGUE NO.	MOUNTING HEIGHT	POLE HEIGHT	POLE DIAMETER	BASE DEPTH
BUTT	8 FT	MEO-8.5(w/MO-AD-8) #112 LPF	29'-6"	28'-0"	8.5"	5'



LUMINAIRE DETAIL - STYLE 4
QUALITY LIGHTING NO. SD-1-1327-FX2
(WITH TILT OPTION)



NOTES:

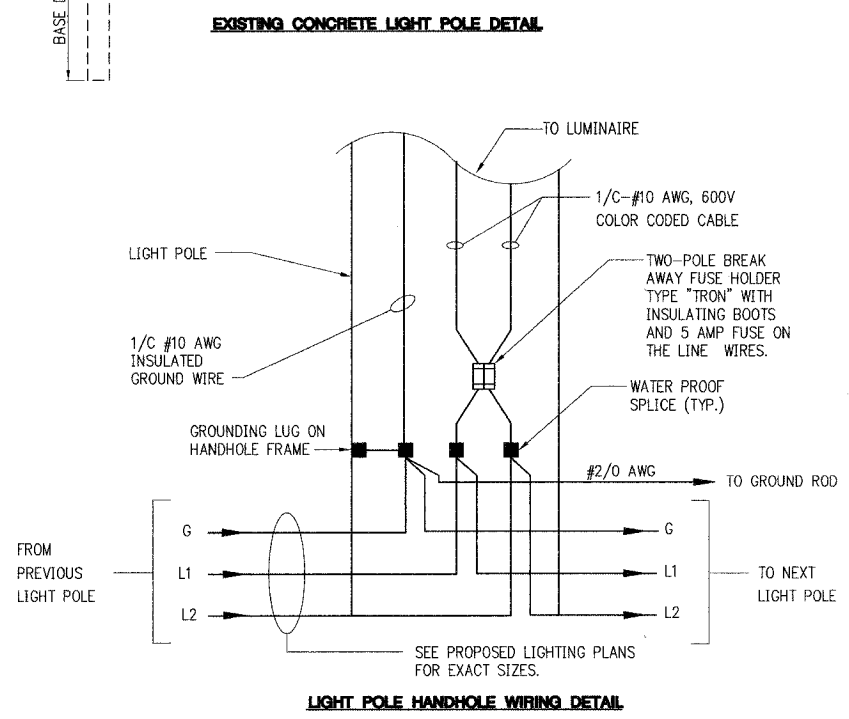
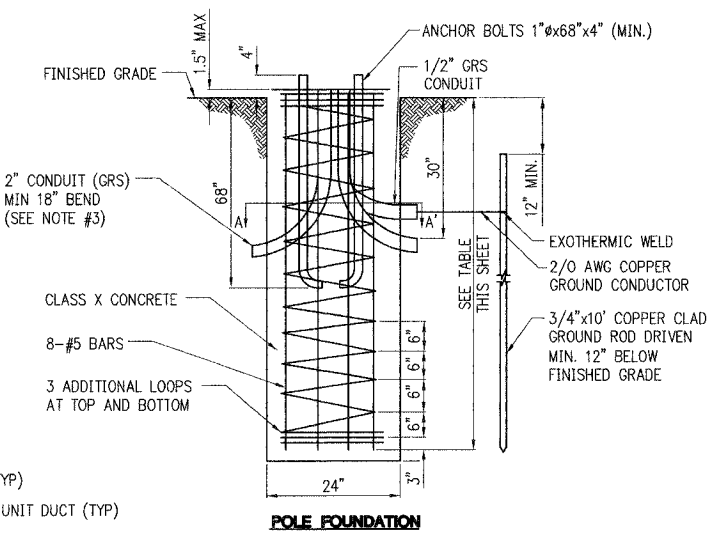
- INSTALL 3/4" x 10' GROUND ROD AT EACH LIGHT POLE. RUN 1-1/2" #2/0 GROUND FROM LIGHT POLE GROUND LUG TO GROUND ROD IN 1/2" CONDUIT. USE EXOTHERMIC WELDS. (12" MIN. BURY)
- PROVIDE BREAKAWAY COUPLINGS AND FULL HEIGHT BASE COVER.
- PROVIDE UNIT DUCT TO GRS COUPLING AT EACH TRANSITION. COUPLING SHALL BE INCIDENTAL TO PROPOSED FOUNDATIONS.

LIGHT POLE FOUNDATION DESIGN TABLE

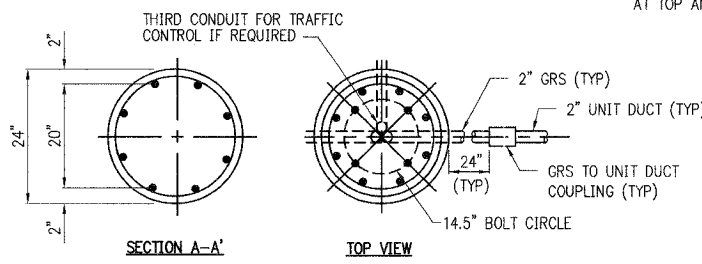
TYPE OF SOIL	DESIGN DEPTH		REINFORCEMENT IN FOUNDATION			
	SINGLE ARM D	TWIN ARM D	SINGLE ARM VERT. BARS	SPIRAL	TWIN ARM VERT. BARS	SPIRAL
SOFT CLAY	13'-0"	15'-0"	4-#6X12'-6"	#3X122'	4-#6X14'-6"	#3X141'
MEDIUM CLAY	9'-6"	10'-9"	4-#6X9'-0"	#3X90'	4-#6X10'-3"	#3X100'
STIFF CLAY	8'-0"	8'-0"	4-#6X7'-6"	#3X76'	4-#6X7'-6"	#3X76'
LOOSE SAND	9'-0"	10'-0"	4-#6X8'-6"	#3X85'	4-#6X9'-6"	#3X94'
MEDIUM SAND	8'-3"	9'-0"	4-#6X7'-9"	#3X78'	4-#6X8'-6"	#3X85'
DENSE SAND	8'-0"	9'-0"	4-#6X7'-6"	#3X76'	4-#6X8'-6"	#3X85'

- NOTES:**
- CONTRACTOR AT HIS OPTION MAY SUBSTITUTE #3 HOOPS AT 12" ON CENTERS FOR SPIRAL CAGE
 - CONTRACTOR SHALL USE THE VALUES FOR TWIN ARM INSTALLATION FOR THIS PROJECT

LIGHT POLE DETAILS - TYPE D



LIGHT POLE HANDHOLE WIRING DETAIL



REVISIONS	
NAME	DATE

VILLAGE OF BUFFALO GROVE
LIGHTING PLANS
ELECTRICAL DETAILS
(2 OF 4)

DATE: 6/2/2005
DESIGNED BY: CMW
TECHNICIAN: JRH
CHECKED BY: MAR