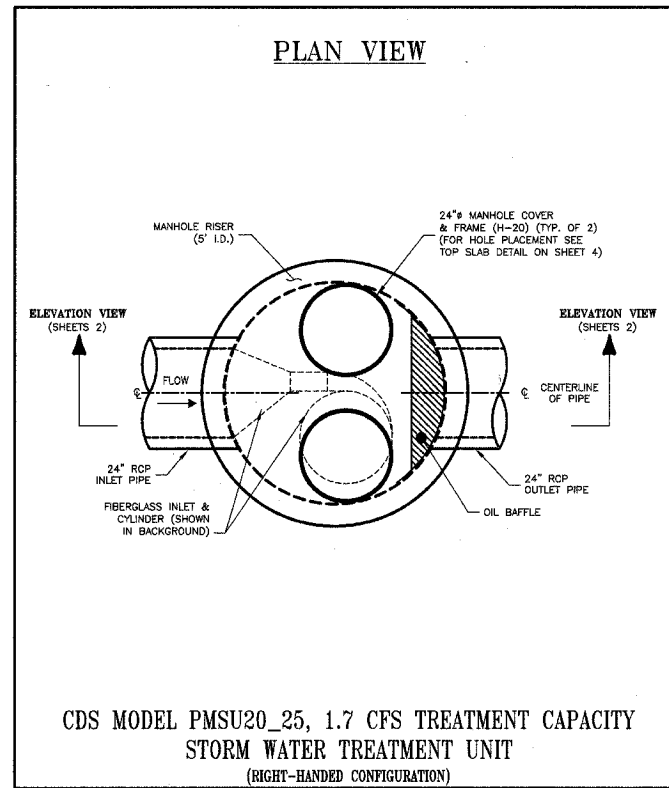
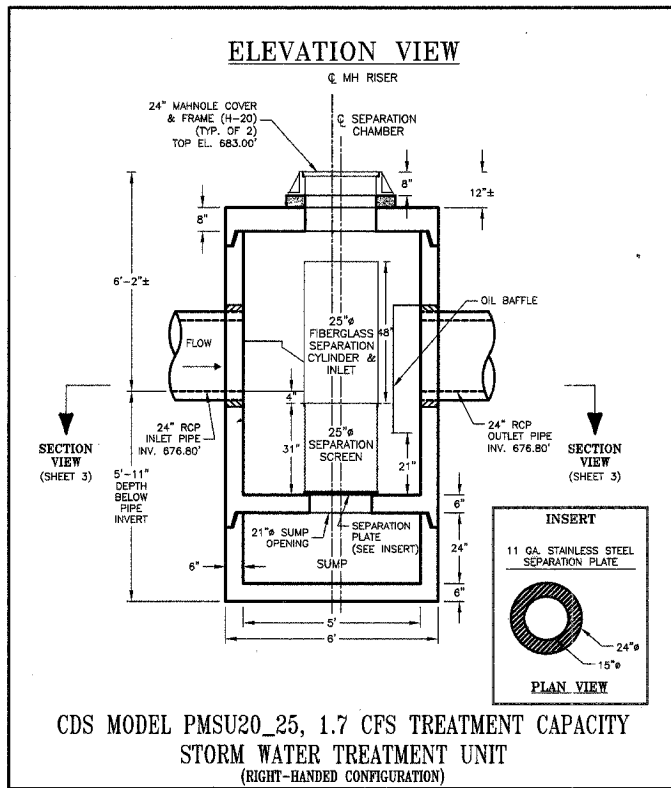


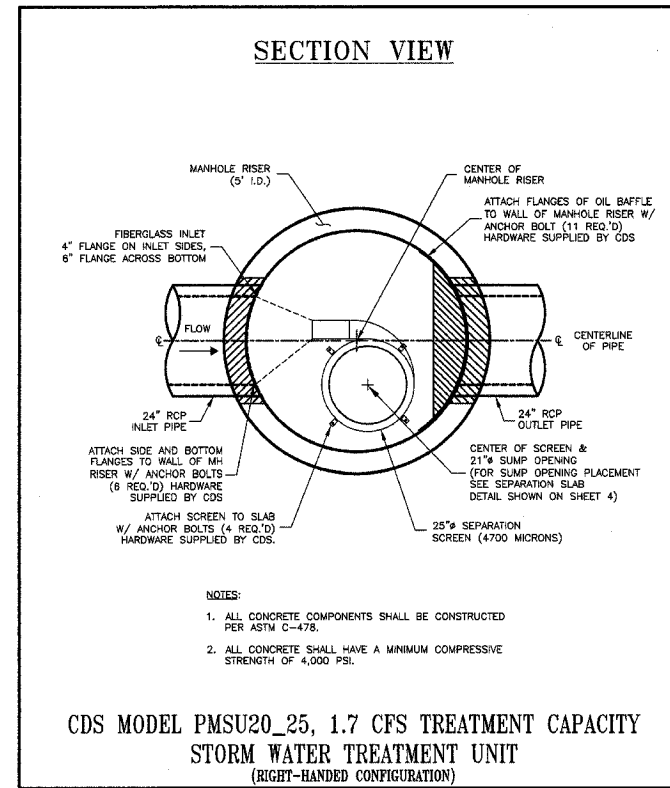
FILE#	SECTION	COUNTY	TOTAL SHEETS	SHEET NO
CH	A47	LAKE	176	175
STA.		TO STA.		
03-0008-00-FP	SLABS	SURFACE TRANSPORTATION FUNDING		
CONTRACT NUMBER 83807				



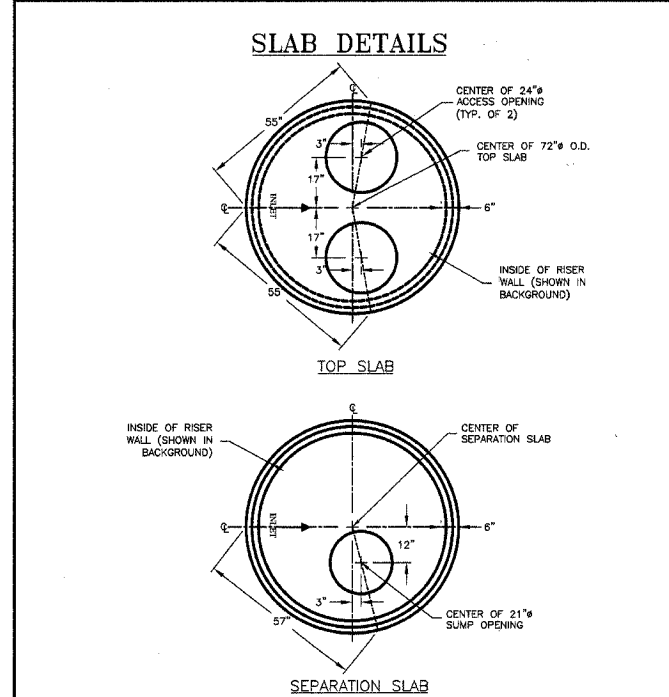
GDS TECHNOLOGIES	DEERFIELD PARKWAY	JOB#	IL-04-017	SCALE	1" = 2'
	STA. 24+10, 37' - R	DATE	10/20/04	SHEET	1
	BUFFALO GROVE, ILLINOIS	DRAWN	PRB	APPROV.	
	815 S. 9th Avenue, La Grange, Illinois 60525 (708) 482-8550 www.cdstechn.com				



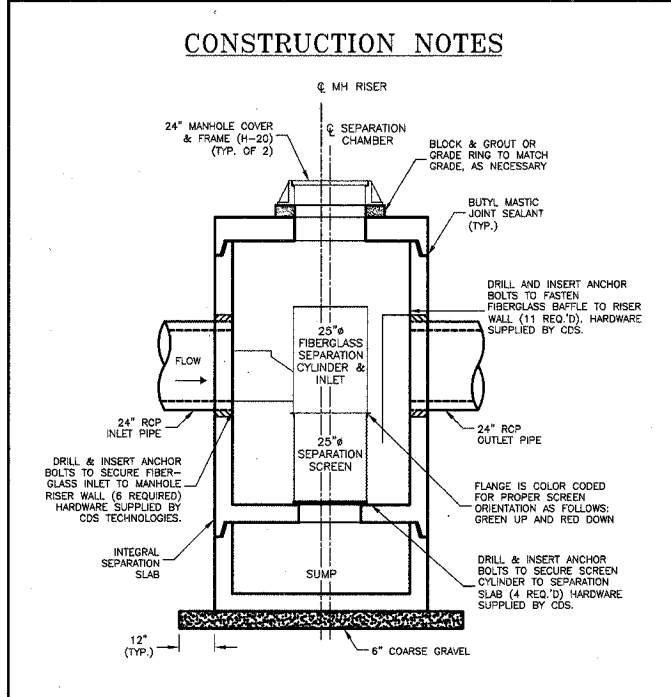
GDS TECHNOLOGIES	DEERFIELD PARKWAY	JOB#	IL-04-017	SCALE	1" = 2.5'
	STA. 24+10, 37' - R	DATE	10/20/04	SHEET	2
	BUFFALO GROVE, ILLINOIS	DRAWN	PRB	APPROV.	
	815 S. 9th Avenue, La Grange, Illinois 60525 (708) 482-8550 www.cdstechn.com				



GDS TECHNOLOGIES	DEERFIELD PARKWAY	JOB#	IL-04-017	SCALE	1" = 2'
	STA. 24+10, 37' - R	DATE	10/20/04	SHEET	3
	BUFFALO GROVE, ILLINOIS	DRAWN	PRB	APPROV.	
	815 S. 9th Avenue, La Grange, Illinois 60525 (708) 482-8550 www.cdstechn.com				



GDS TECHNOLOGIES	DEERFIELD PARKWAY	JOB#	IL-04-017	SCALE	1" = 2.5'
	STA. 24+10, 37' - R	DATE	10/20/04	SHEET	4
	BUFFALO GROVE, ILLINOIS	DRAWN	PRB	APPROV.	
	815 S. 9th Avenue, La Grange, Illinois 60525 (708) 482-8550 www.cdstechn.com				



GDS TECHNOLOGIES	DEERFIELD PARKWAY	JOB#	IL-04-017	SCALE	1" = 2.5'
	STA. 24+10, 37' - R	DATE	10/20/04	SHEET	5
	BUFFALO GROVE, ILLINOIS	DRAWN	PRB	APPROV.	
	815 S. 9th Avenue, La Grange, Illinois 60525 (708) 482-8550 www.cdstechn.com				

REVISIONS	
NAME	DATE

VILLAGE OF BUFFALO GROVE
DETAILS
DEERFIELD PARKWAY IMPROVEMENT

DATE: 6/2/2005
DESIGNED BY: RTM
TECHNICIAN: JRR
CHECKED BY: RTM

BID SET