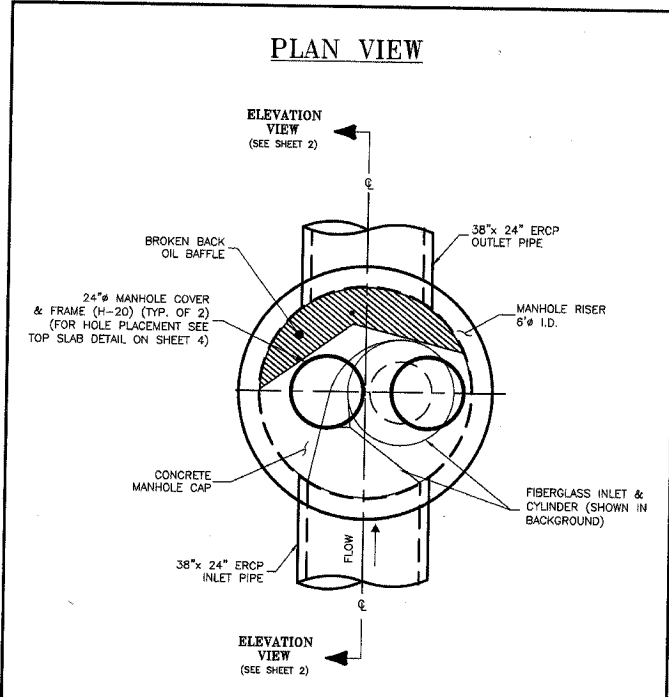


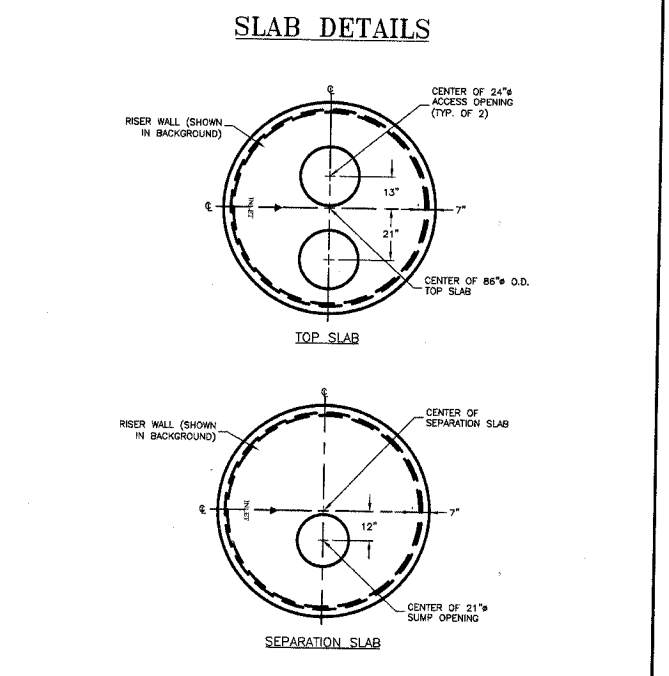
FILE#	SECTION	COUNTY	TOTAL SHEETS	SHEET NO
CH	A47	LAKE	176	176
STA.	TO STA.			
03-00088-00-PP	ILLINOIS	SURFACE TRANSPORTATION FUNDING		

CONTRACT NUMBER 83807



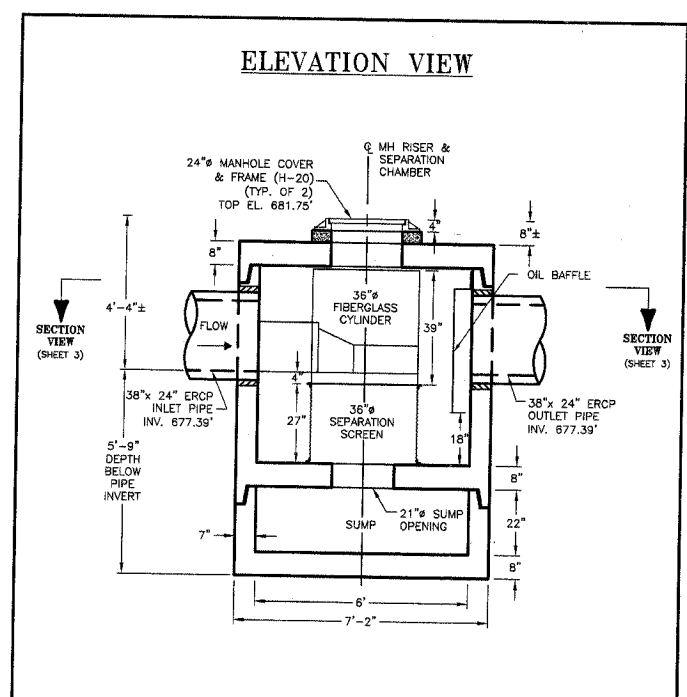
CDS MODEL PMSU30_20, 2.2 CFS TREATMENT CAPACITY
STORM WATER TREATMENT UNIT
(RIGHT-HANDED CONFIGURATION)

GDS TECHNOLOGIES	DEERFIELD PARKWAY	JOB# IL-04-017	SCALE 1" = 2.5'
	STA. 24+10, 43' - L	DATE 10/20/04	SHEET 1
	BUFFALO GROVE, ILLINOIS	DRAWN PRB	
		APPROV.	



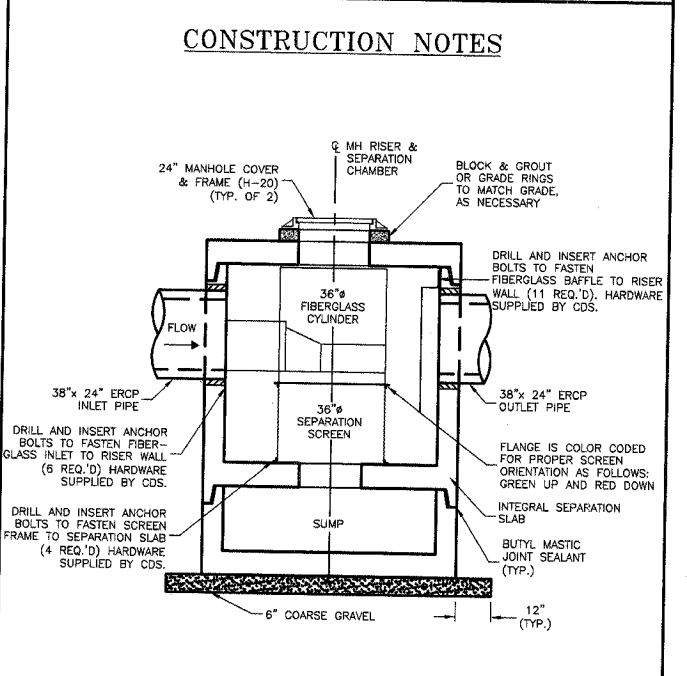
CDS MODEL PMSU30_20, 2.2 CFS TREATMENT CAPACITY
STORM WATER TREATMENT UNIT
(RIGHT-HANDED CONFIGURATION)

GDS TECHNOLOGIES	DEERFIELD PARKWAY	JOB# IL-04-017	SCALE 1" = 3'
	STA. 24+10, 43' - L	DATE 10/20/04	SHEET 4
	BUFFALO GROVE, ILLINOIS	DRAWN PRB	
		APPROV.	



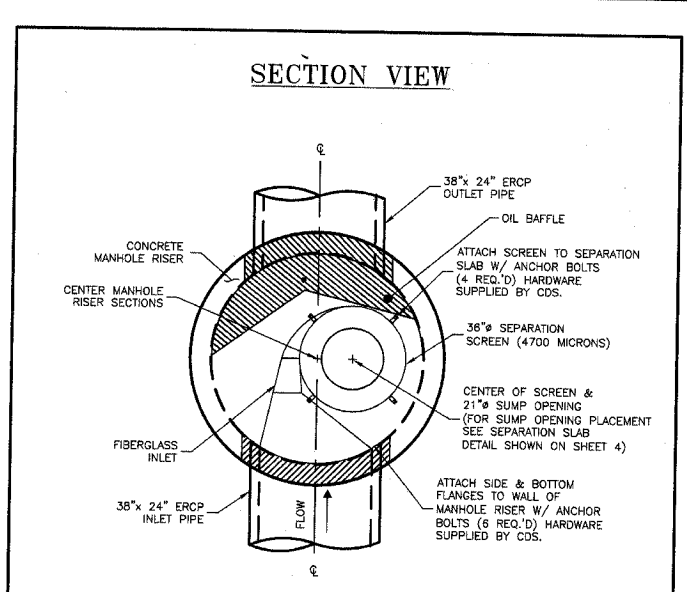
CDS MODEL PMSU30_20, 2.2 CFS TREATMENT CAPACITY
STORM WATER TREATMENT UNIT
(RIGHT-HANDED CONFIGURATION)

GDS TECHNOLOGIES	DEERFIELD PARKWAY	JOB# IL-04-017	SCALE 1" = 2.5'
	STA. 24+10, 43' - L	DATE 10/20/04	SHEET 2
	BUFFALO GROVE, ILLINOIS	DRAWN PRB	
		APPROV.	



CDS MODEL PMSU30_20, 2.2 CFS TREATMENT CAPACITY
STORM WATER TREATMENT UNIT
(RIGHT-HANDED CONFIGURATION)

GDS TECHNOLOGIES	DEERFIELD PARKWAY	JOB# IL-04-017	SCALE 1" = 2.5'
	STA. 24+10, 43' - L	DATE 10/20/04	SHEET 5
	BUFFALO GROVE, ILLINOIS	DRAWN PRB	
		APPROV.	



- NOTES:
1. ALL CONCRETE COMPONENTS SHALL BE CONSTRUCTED PER ASTM C-478.
 2. ALL CONCRETE SHALL HAVE A MINIMUM COMPRESSIVE STRENGTH OF 4,000 PSI.

CDS MODEL PMSU30_20, 2.2 CFS TREATMENT CAPACITY
STORM WATER TREATMENT UNIT
(RIGHT-HANDED CONFIGURATION)

GDS TECHNOLOGIES	DEERFIELD PARKWAY	JOB# IL-04-017	SCALE 1" = 2.5'
	STA. 24+10, 43' - L	DATE 10/20/04	SHEET 3
	BUFFALO GROVE, ILLINOIS	DRAWN PRB	
		APPROV.	

REVISIONS	
NAME	DATE

VILLAGE OF BUFFALO GROVE
DETAILS
DEERFIELD PARKWAY IMPROVEMENT

DATE: 6/2/2005
DESIGNED BY: RTM
TECHNICIAN: JRR
CHECKED BY: RTM

BID SET