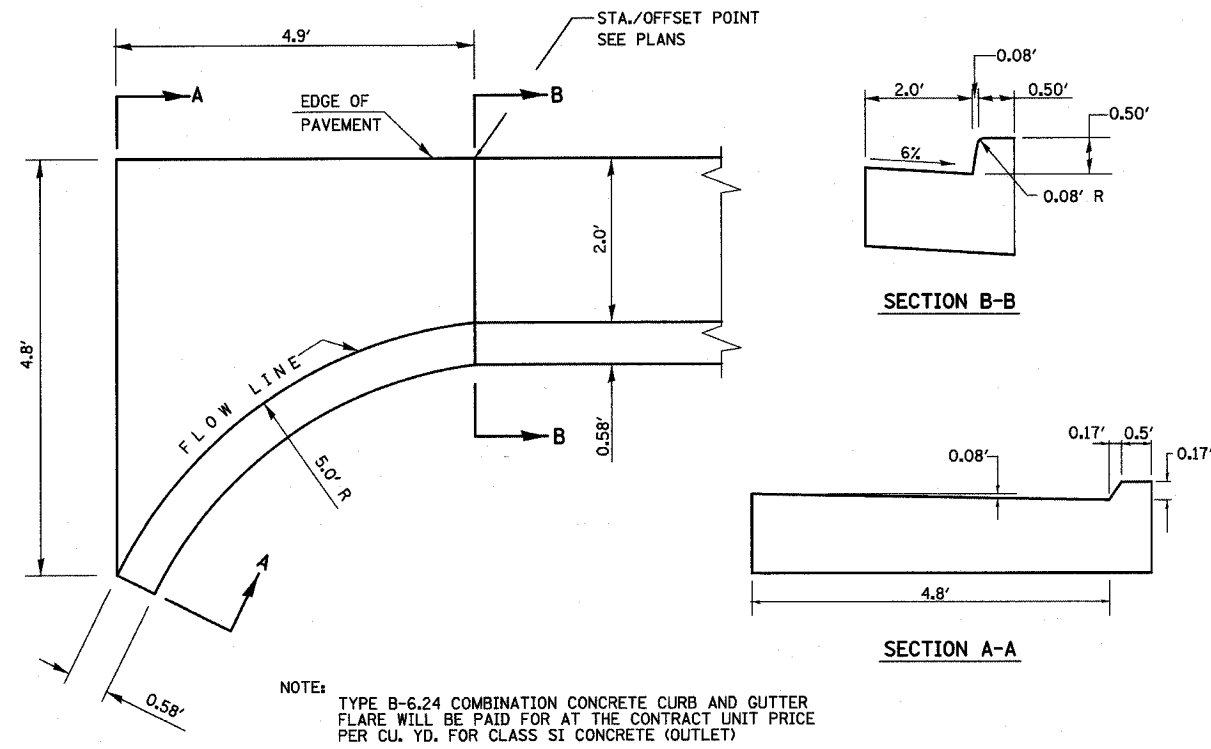
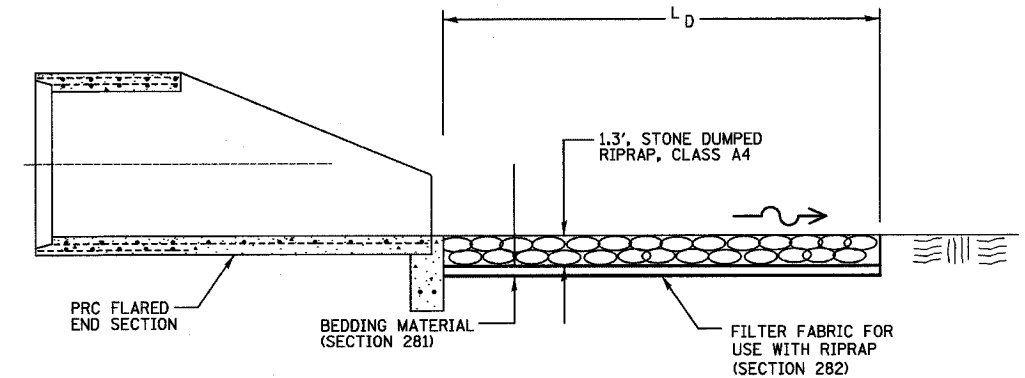


ROUTE NO.	SECTION	COUNTY	TOTAL SHEETS	SHEET NO.
CH 31	*	MACON	162	45
FED. ROAD DIST. NO.	ILLINOIS	PROJECT		
* 02-00175-00-PV				

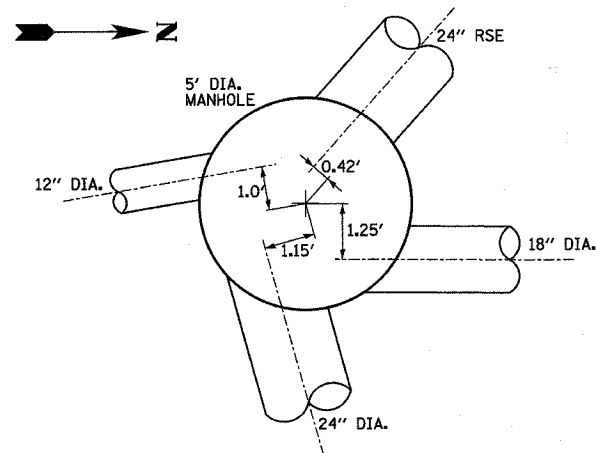


DETAIL OF FLARE FOR COMBINATION CONCRETE CURB AND GUTTER, TYPE B-6.24

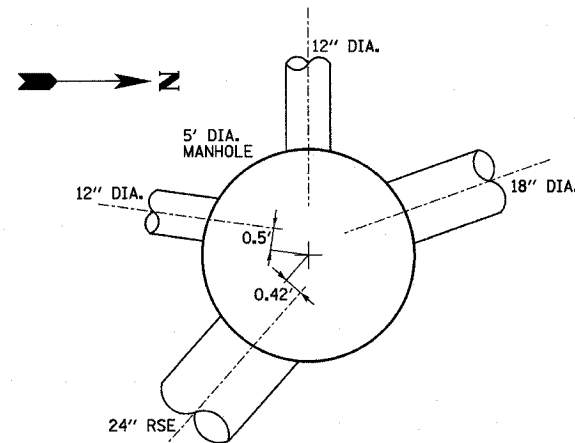


RIPRAP APRON DETAIL
NOT TO SCALE

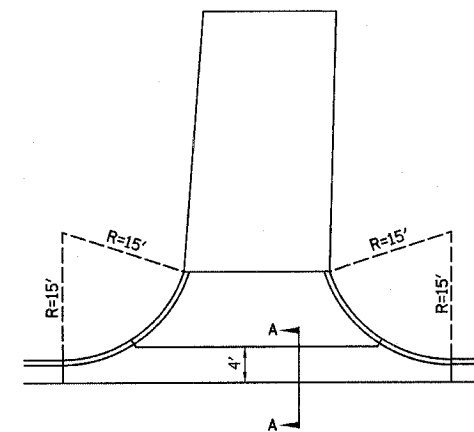
STATION	WIDTH	L _D	STONE DUMPED RIPRAP CLASS A4 (SQ Y)	FILTER FABRIC
TURPIN ROAD				
536+05 42' RT	3.5	3.0	1.2	1.2
541+45 31.5' RT	4.5	2.7	1.4	1.4
551+53 26.5' RT	4.0	2.4	1.1	1.1



52 MANHOLE DETAIL STA 551+50 14' RT
NOT TO SCALE

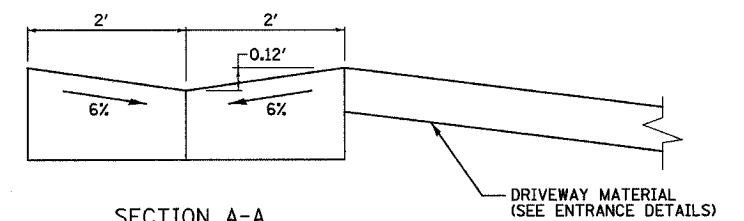


49 MANHOLE DETAIL STA 551+75 13.7' LT
NOT TO SCALE



CONCRETE GUTTER (SPECIAL) DETAIL

- STA 546+95.4 RT
- STA 551+80.8 RT
- STA 553+85.4 RT
- STA 556+22.7 RT
- STA 560+51.4 LT



SECTION A-A
NOT TO SCALE

MISCELLANEOUS DETAILS

REVISIONS NO. DATE INITIALS		TURPIN ROAD CONNECTOR (CH 31) MACON COUNTY, ILLINOIS		DRAWN BY: LBM DATE: 05/03
HOMER L. CHASTAIN & ASSOCIATES, LLP CONSULTING ENGINEERS 184-001277		DECATUR (317) 422-8544 CHICAGO (773) 714-0660		CHECKED BY: GLF DATE: 03/05 BOOK NUMBER: 471 PROJECT No.: 4805 SHEET No.: