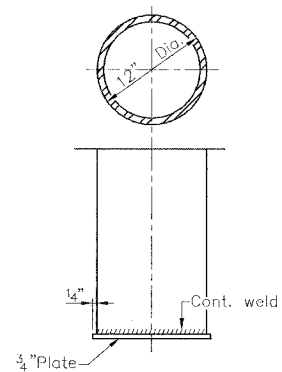
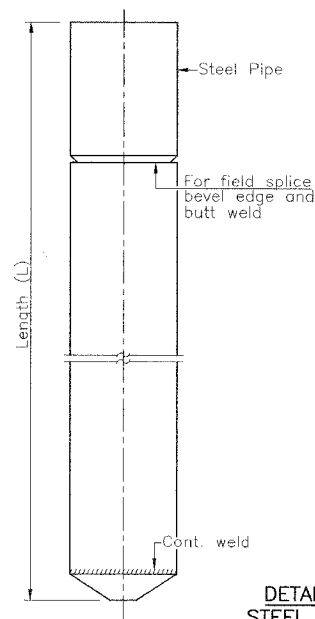


RTE.	SECTION	COUNTY	TOTAL SHEETS	SHEET NO.
C.H. 7	*	MENARD	9	8
PROJECT				

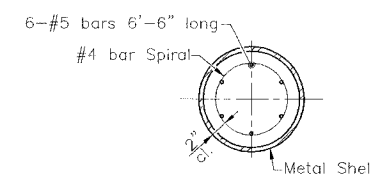
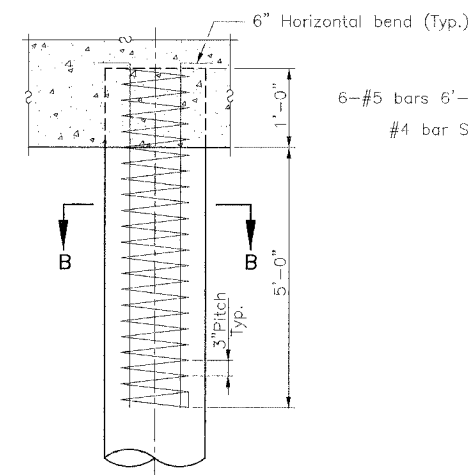
* 01-00050-00-BR

The cost of Reinforcement is incidental to the cost of furnishing piles

Notes: Driving and bearing ends of pipe shall be cut square.
 The thickness of the shell shall be 0.25 inches with a tolerance of 5%.
 The shell shall be in accordance with Article 1006.05(a) of the Standard Specifications.



DETAIL OF CYLINDRICAL STEEL SHELL FOR CAST IN PLACE CONCRETE PILES



SECTION B-B

DETAIL OF REINFORCEMENT FOR METAL SHELLS

FILE NUMBER: M5500P (REV. 9/22/54)

CONCRETE PILE DETAILS
F.A.S. 1574 - C.H. 7
(N. PETERSBURG ROAD)
OVER LATIMORE CREEK
SECTION 01-00050-00-BR
MENARD COUNTY