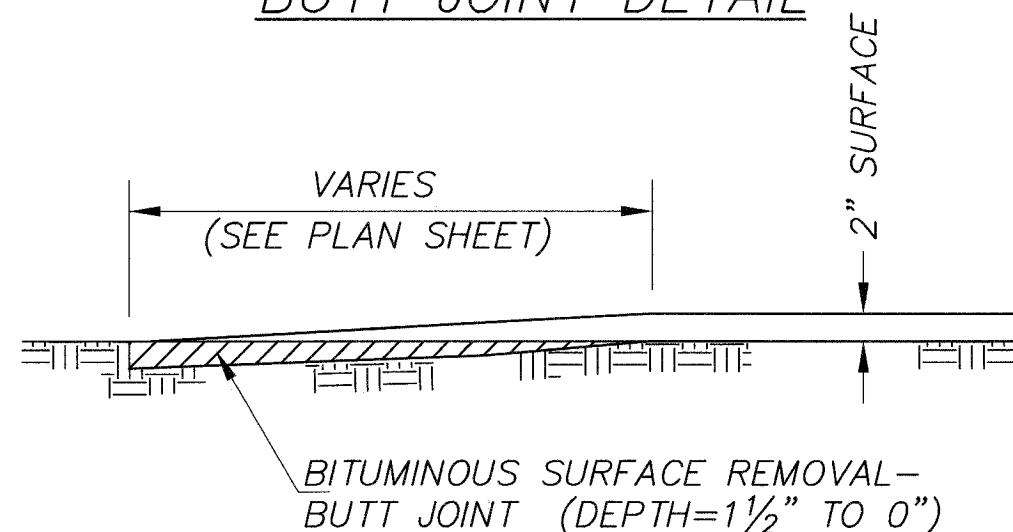


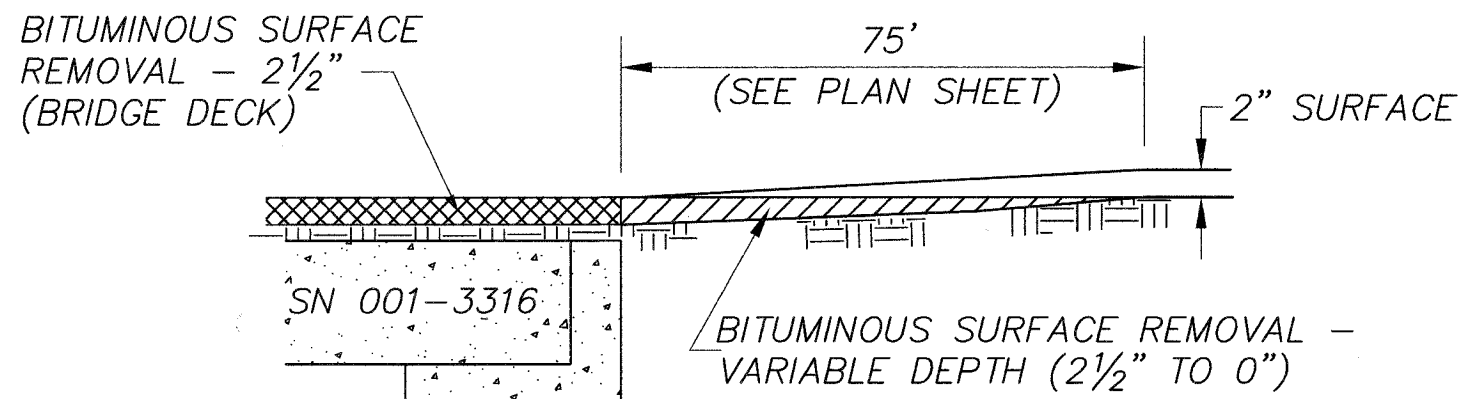
COUNTY	ROUTE	SECTION	TOTAL SHEETS	SHEET NO.
ADAMS	FAS 432	05-00191-00-RS	15	15
BUTT JOINT DETAIL				
BITUMINOUS SURFACE REMOVAL DETAIL				
SIDE ROAD & ENTRANCE DETAILS				

BUTT JOINT DETAIL

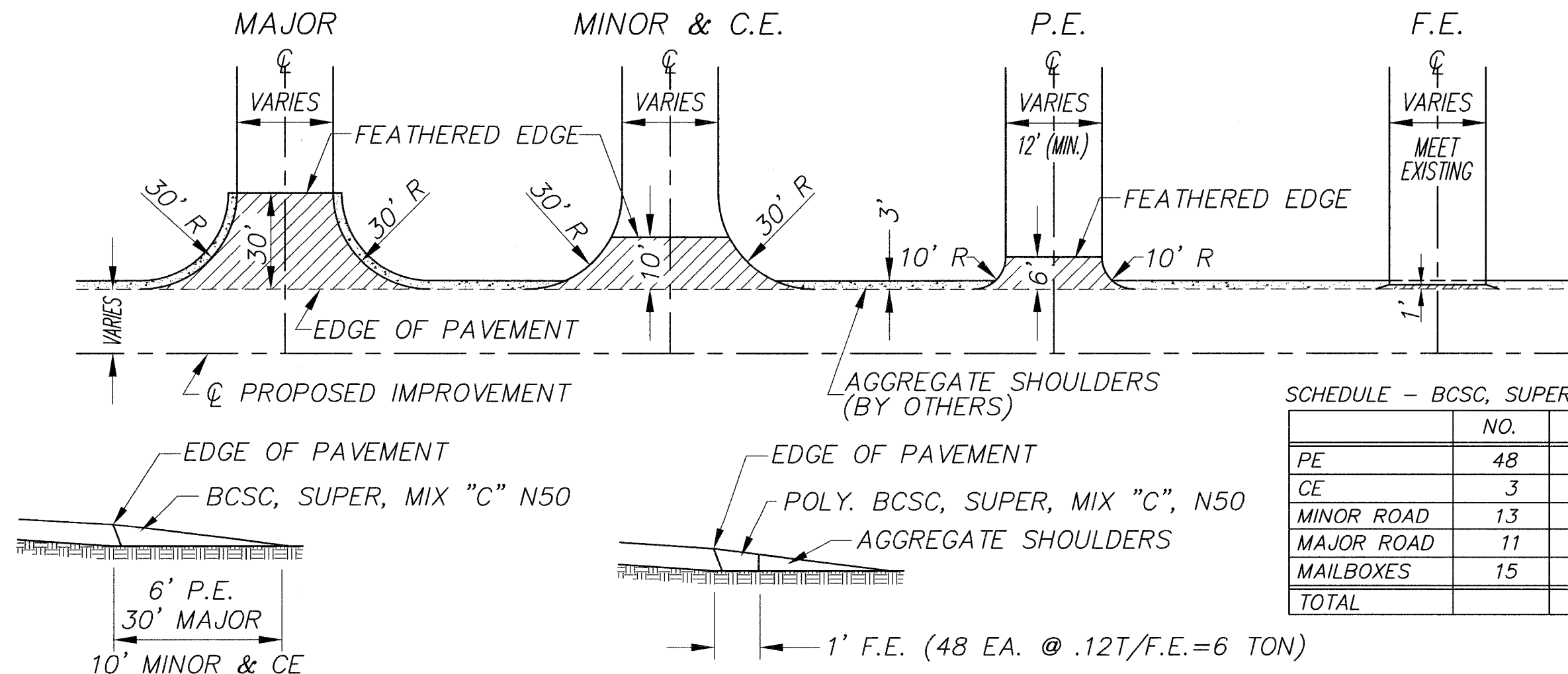


BITUMINOUS SURFACE REMOVAL

STA. 307+99.55 TO STA. 309+86.45



INTERSECTION DETAILS



SCHEDULE - BCSC, SUPER., MIX "C" N50

	NO.	TONS/	TONS
PE	48	1.5	72
CE	3	6	18
MINOR ROAD	13	6	78
MAJOR ROAD	11	12	132
MAILBOXES	15	2.4	36
TOTAL			336