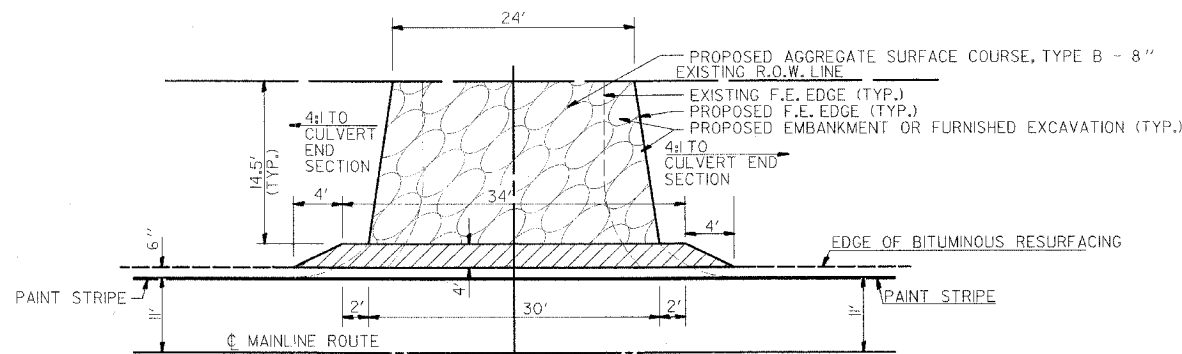
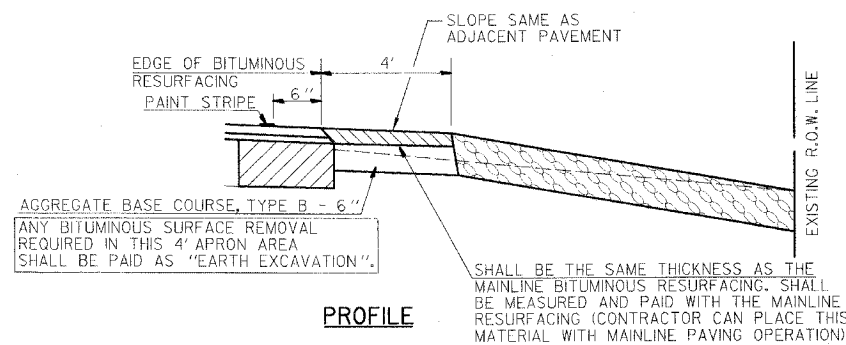


F.A.S. RTE.	SECTION	COUNTY	TOTAL SHEETS	SHEET NO.
694	03-00088-00-WR	CRAWFORD	56	24
STA. 10+18.4	TO STA. 158+00			
FED. ROAD DIST. NO.	ILLINOIS	FED. AID PROJECT		
CONTRACT NO. 433				

TYPICAL DETAIL OF RURAL FIELD ENTRANCES



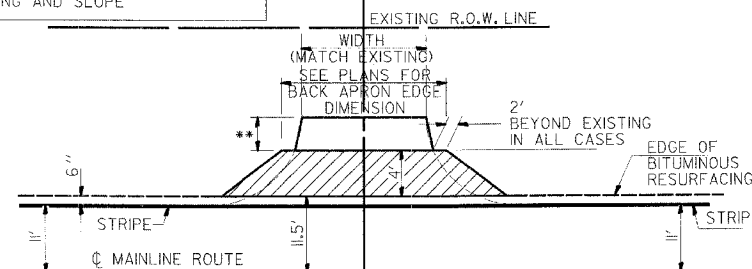
PLAN



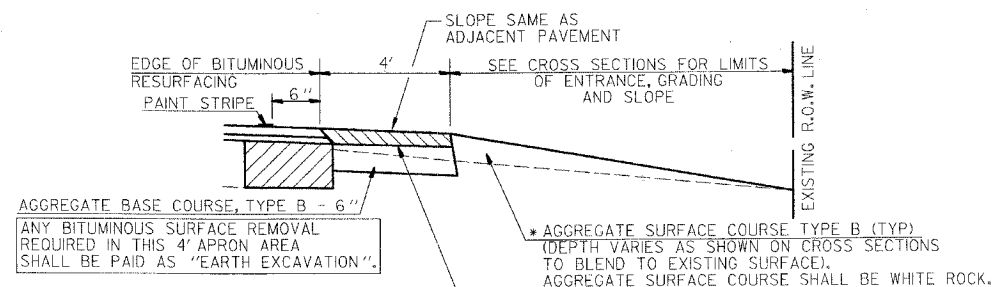
PROFILE

TYPICAL DETAIL OF RURAL PRIVATE AND COMMERCIAL ENTRANCES

**SEE DETAIL BELOW AND CROSS SECTIONS FOR LIMITS OF ENTRANCE, GRADING AND SLOPE



PLAN



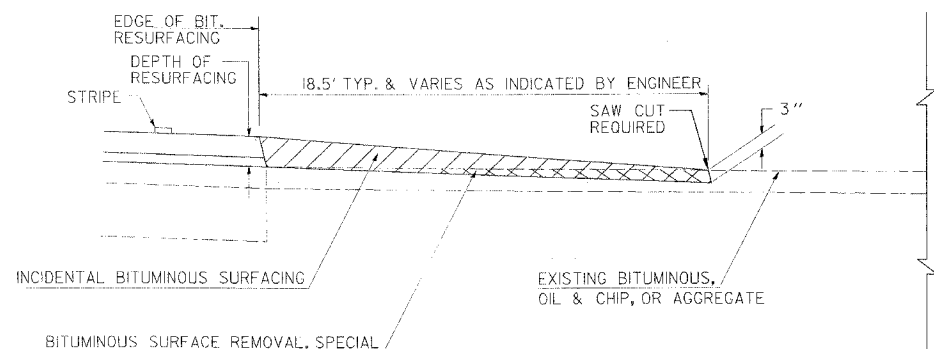
PROFILE

*SEE PLANS FOR LOCATIONS AND DETAILS WHERE ENTRANCES ARE BITUMINOUS CONCRETE SURFACE OR P.C. CONCRETE SURFACE ALL THE WAY TO THE R.O.W. LINE. REMOVAL OF EXISTING P.C. DRIVEWAY PAVEMENT SHALL BE PAID AS "DRIVEWAY PAVEMENT REMOVAL". REMOVAL OF EXISTING BITUMINOUS SURFACE DRIVEWAYS BEHIND THE INITIAL 4' BITUMINOUS APRON SHALL BE PAID AS "BITUMINOUS SURFACE REMOVAL, SPECIAL". PROPOSED INCIDENTAL BITUMINOUS SURFACING SHALL BE 3" THICK AT BITUMINOUS CONCRETE SURFACE ENTRANCES. ANY BITUMINOUS SURFACE REMOVAL REQUIRED AT SHOULDER APRONS SHALL BE PAID AS "EARTH EXCAVATION".

SHALL BE THE SAME THICKNESS AS THE MAINLINE BITUMINOUS RESURFACING. SHALL BE MEASURED AND PAID WITH THE MAINLINE RESURFACING (CONTRACTOR CAN PLACE THIS MATERIAL WITH MAINLINE PAVING OPERATION)

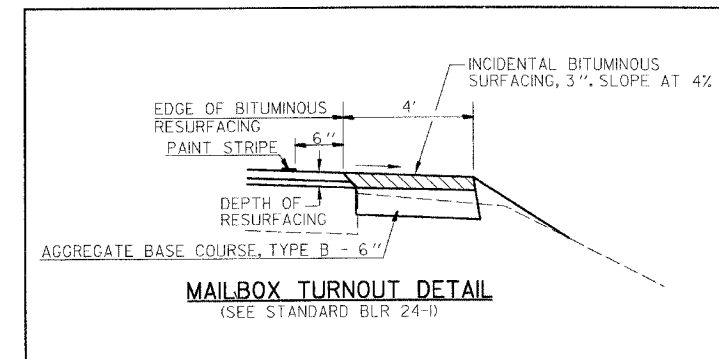
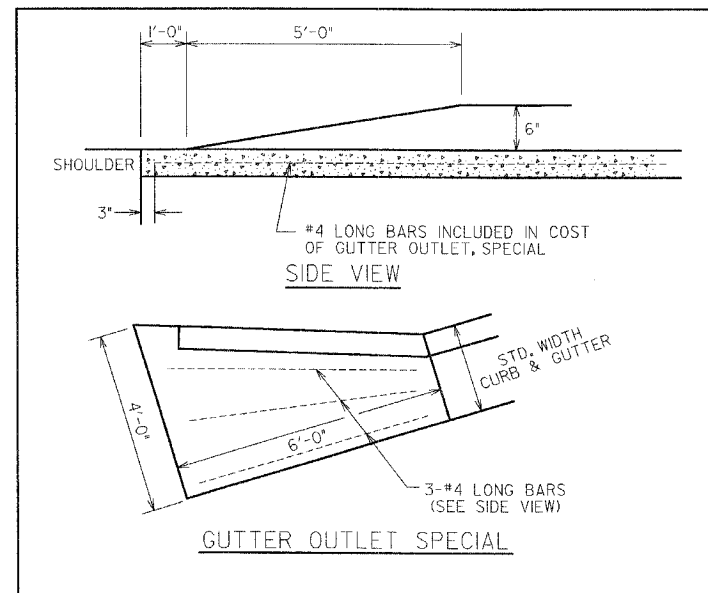
SIDEROAD DETAIL

(BITUMINOUS, OIL & CHIP, OR AGGREGATE)



BITUMINOUS SURFACE REMOVAL, SPECIAL
IF EXISTING SURFACE IS AGGREGATE THE REMOVAL AND SHAPING NECESSARY FOR INCIDENTAL BITUMINOUS SURFACING SHALL NOT BE PAID FOR SEPARATELY BUT SHALL BE INCLUDED IN THE COST OF INCIDENTAL BITUMINOUS SURFACING

NOTE: THE INCIDENTAL BITUMINOUS SURFACING IS INTENDED TO RESURFACE THE EXISTING SIDEROAD APRON IN THEIR ENTIRETY TO THE EXISTING R.O.W. THE EXISTING SIDEROADS SHOULD BE RESURFACED TO MAINTAIN THEIR CURRENT RADII EXCEPT WHERE SHOWN OTHERWISE ON PLANS.



CRAWFORD COUNTY
FAS ROUTE 694
MFT SECTION 03-00088-00-WR

MISCELLANEOUS DETAILS

DRAWN BY MAL	<p>200 N. 300. ST., Suite 206 Effingham, IL 62421 217/242-5888, 217/242-8888 fax</p>	FILE NO. 24-7263
DATE 12/29/04		BOOK NO. 2646
CHECKED BY ERB		SHEET NO. 24 OF 56