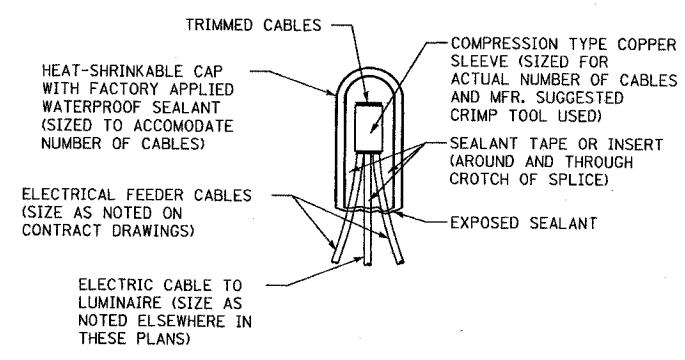
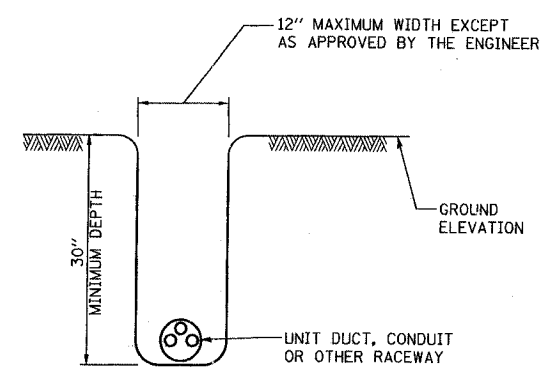


POLE WIRING DETAIL
N.T.S.

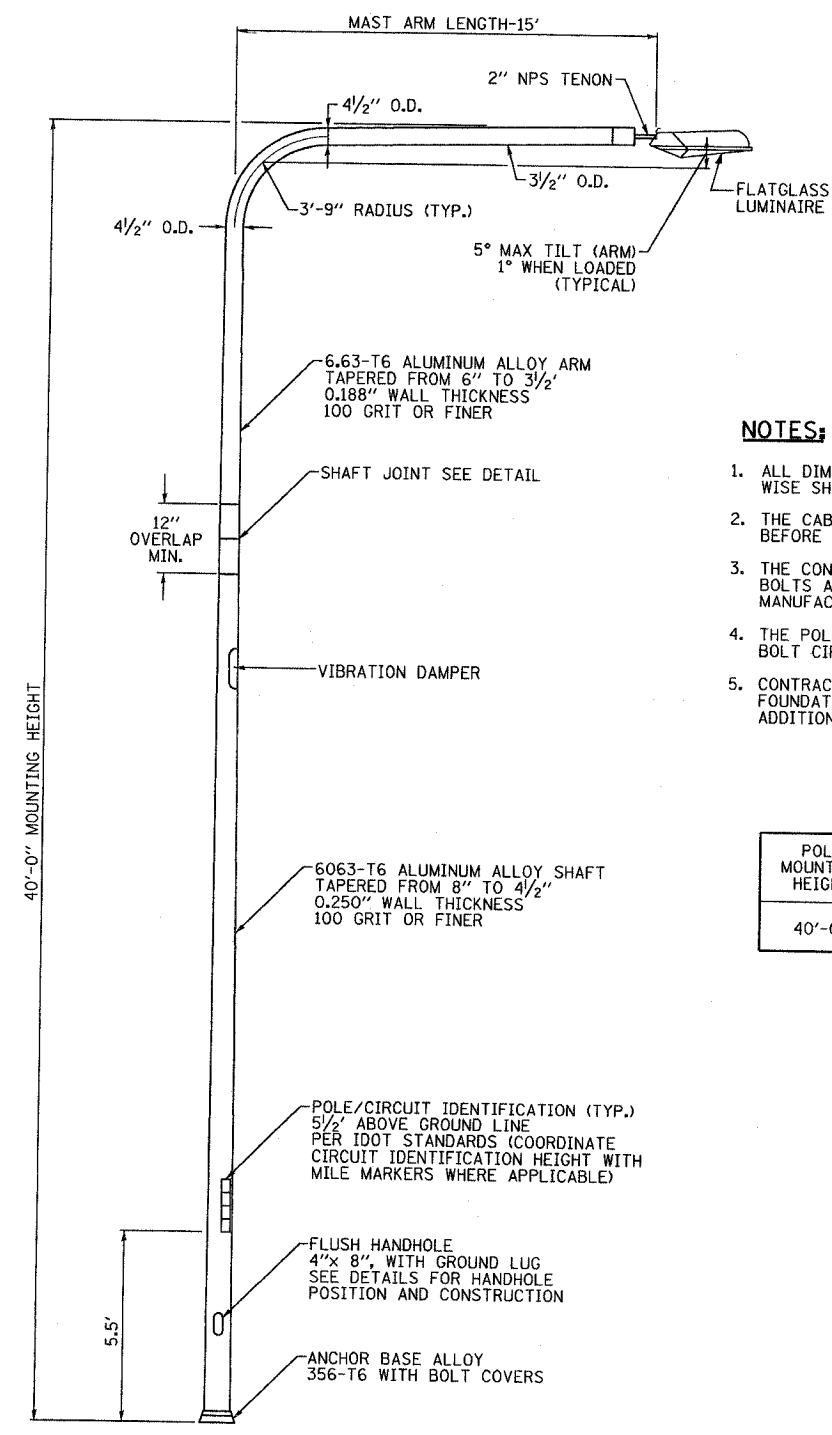
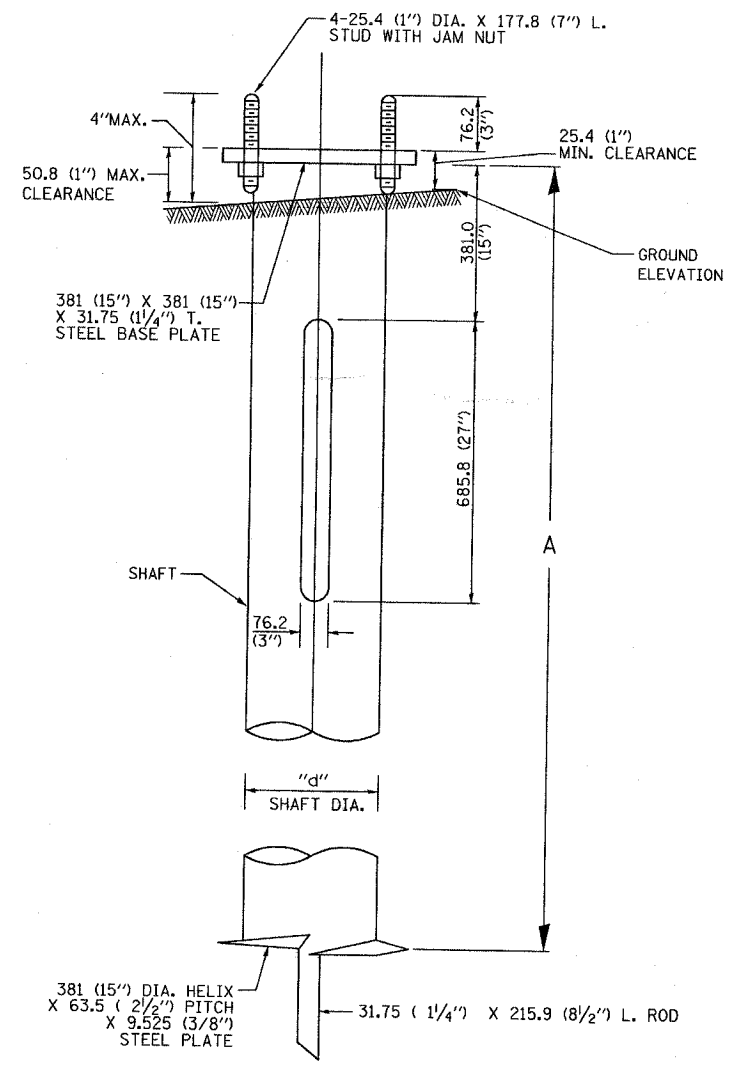
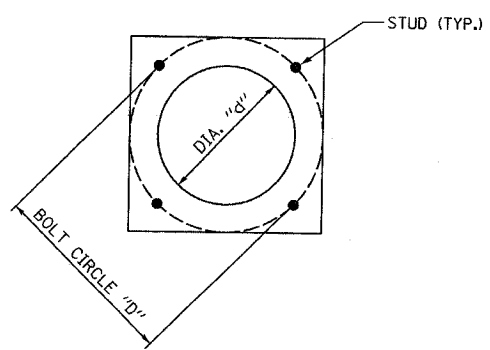


TYPICAL SPLICE DETAIL
N.T.S.

NOTE THAT NUMBER OF CABLES IN SPLICE MAY VARY



TYPICAL TRENCH DETAIL
N.T.S.



SINGLE ARM POLE

NOTES:

1. ALL DIMENSIONS ARE IN MILLIMETERS (INCHES) UNLESS OTHERWISE SHOWN.
2. THE CABLE TRENCH WILL BE BACKFILLED AND FIRMLY COMPACTED BEFORE THE INSTALLATION OF THE LIGHT POLE.
3. THE CONTRACTOR MUST COORDINATE EXTENSION OF ANCHOR BOLTS ABOVE TOP OF FOUNDATION WITH THE BREAKAWAY DEVICE MANUFACTURERS REQUIREMENTS WHERE APPLICABLE.
4. THE POLE BOLT CIRCLE SHALL MATCH THE HELIX FOUNDATION BOLT CIRCLE.
5. CONTRACTOR WILL FURNISH AND INSTALL 10' LONG SHAFT HELIX FOUNDATION AT LOCATIONS WITH 2:1 OR STEEP SLOPE AT NO ADDITIONAL COST.

HELIX FOUNDATION SIZE

POLE MOUNTING HEIGHT	BOLT CIRCLE "D"	SHAFT LENGTH "A"		SHAFT DIA. "d"
		ON FLAT GROUND	ON 2:1 OR STEEP SLOPE	
40'-0"	11"	6'	6'	8"

L-3

REVISIONS	
NAME	DATE

ILLINOIS DEPARTMENT OF TRANSPORTATION
ILL. RTE. 142 AND U.S. 45
LIGHTING DETAILS
SCALE: NONE
DATE 7/14/05
DRAWN BY DJK
CHECKED BY RCG

benesch

alfred benesch & company
Engineers • Surveyors • Planners
205 North Michigan Avenue, Suite 2400
Chicago, Illinois 60601
312-565-0450

Rev. 7-18-05

m:\p\c\13526\Roadway\Final Plans_Contract 4\1421\detail.dgn