

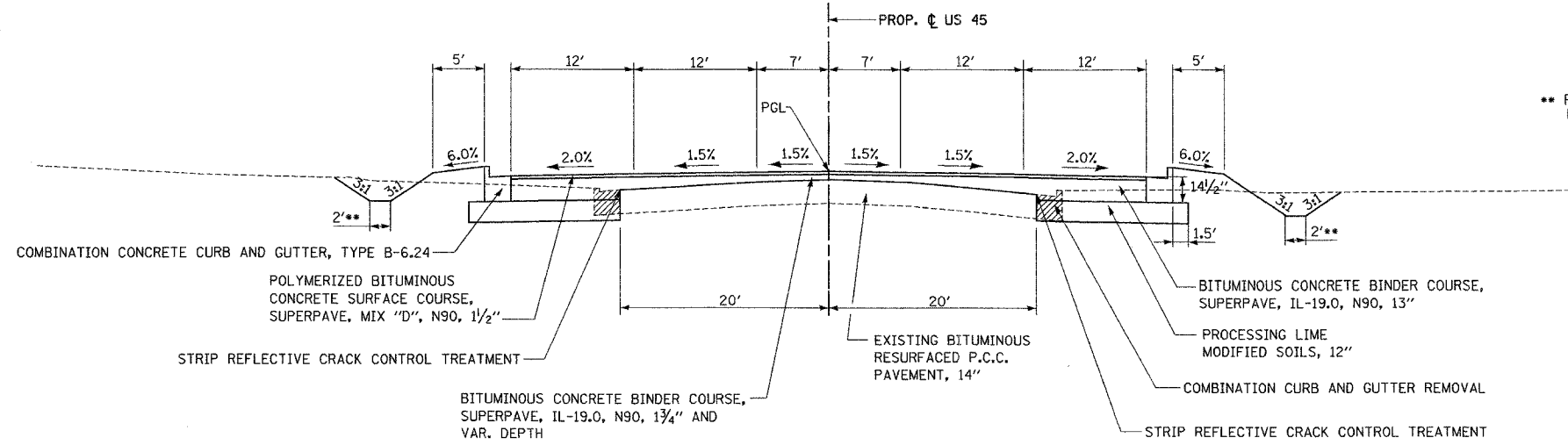
CONTRACT NO. 98631				
F.A.P. RTE.	SECTION	COUNTY	TOTAL SHEETS	SHEET NO.
332	31-1-2, 31B	SALINE	199	10
STA.		TO STA.		
FED. ROAD DIST. NO.		ILLINOIS FED. AID PROJECT		

TYPICAL SECTIONS
U.S. 45

NOMINAL THICKNESS FOR EACH LIFT OF BINDER MUST BE AS FOLLOWS:

13" BINDER

1st LIFT	5" (MAX.)
2nd LIFT	3"
3rd LIFT	3"
4th LIFT	2" (MAX.)



TO BE USED: STA. 391+26.00 TO 392+86.47

STRUCTURAL DESIGN TRAFFIC: Year 2022

PV = 25,670 SU = 545 MU = 545

ROAD/STREET CLASSIFICATION: Class I

PERCENT OF STRUCTURAL DESIGN TRAFFIC IN DESIGN LANE:

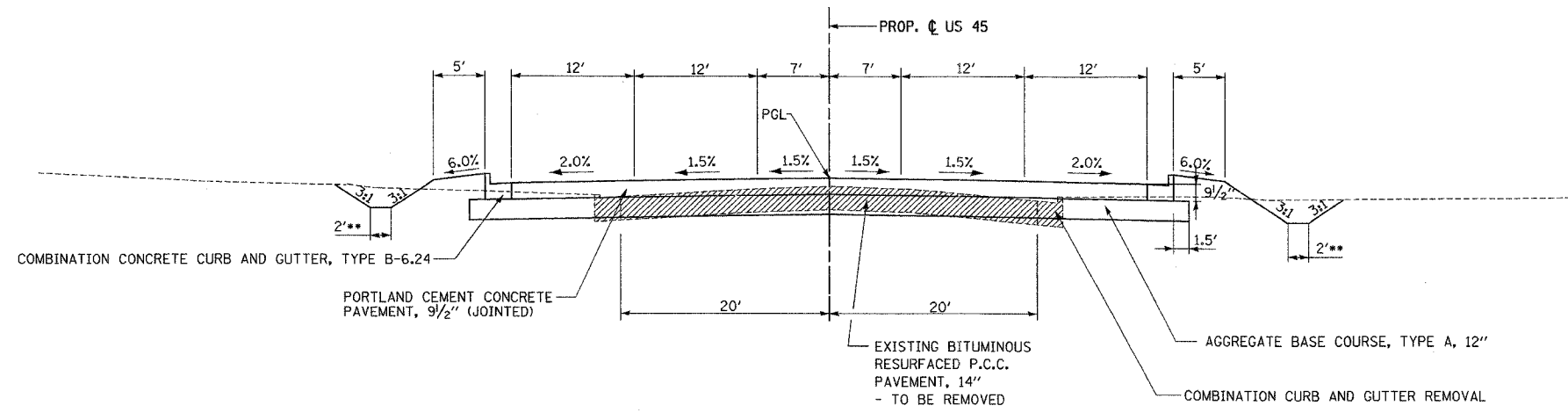
P = 0.32 S = 0.45 M = 0.45

TRAFFIC FACTOR: Actual TF = 4.27 AC Type = AC-20

SUBGRADE SUPPORT RATING: FAIR

LEGEND:

REMOVAL



TO BE USED: STA. 385+30.00 TO 391+26.00

N:\PROJECTS\ROADWAY\CONTRACT\TYPICAL SECTIONS\ACTIVE FILES\REFERENCE FILES\1801358304.dgn
 08/15/24 4:35:52 PM
 DRAWN BY: J5
 CHECKED BY: DE