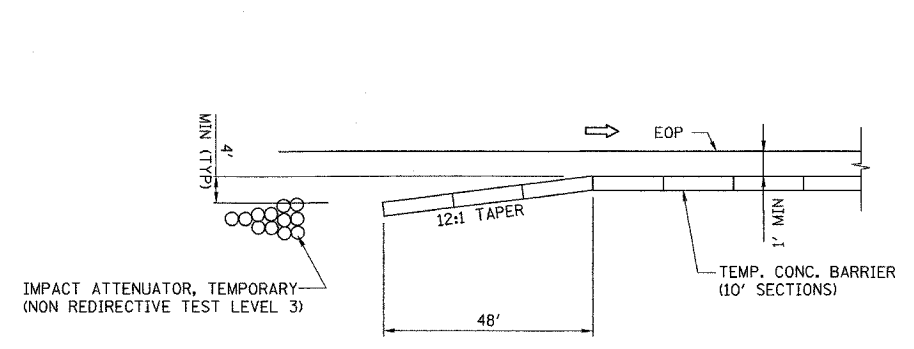
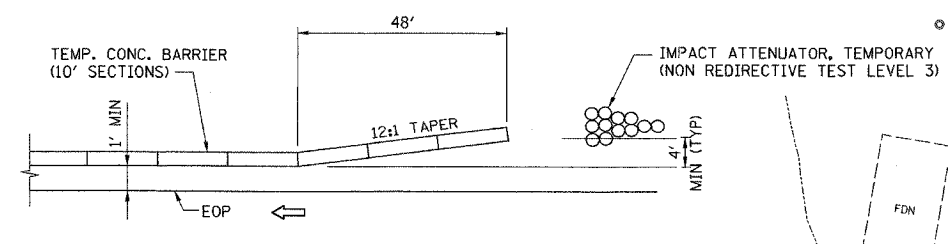


F.A. RTE.	SECTION	COUNTY	TOTAL SHEETS	SHEET NO.
332	31-1-2, 31B	SALINE	199	35
STA.		TO STA.		
FED. ROAD DIST. NO.	ILLINOIS	FED. AID PROJECT		



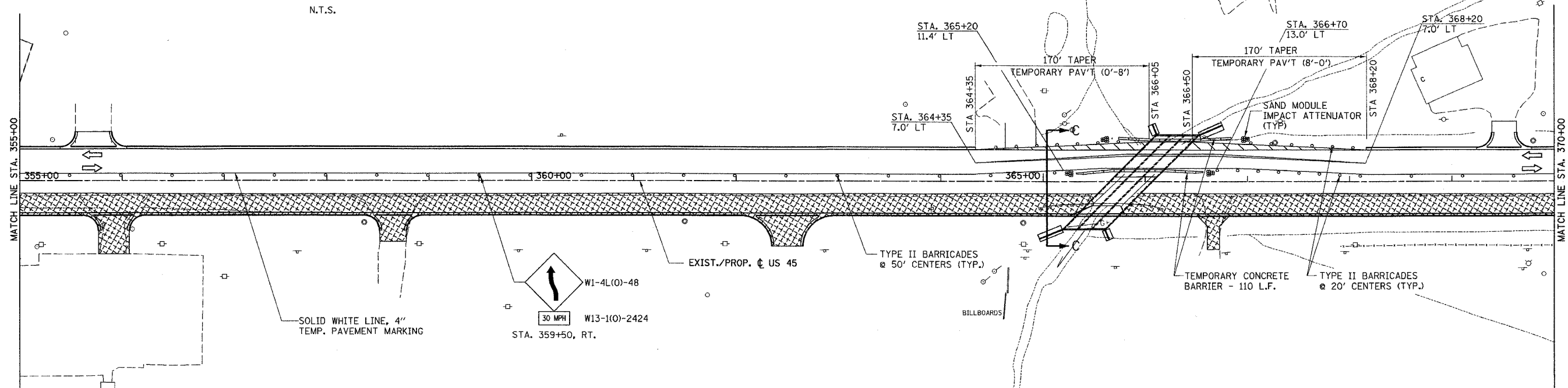
END TREATMENT (WEST END-BOTH SIDES)

N.T.S.



END TREATMENT (EAST END-BOTH SIDES)

N.T.S.



SOLID WHITE LINE, 4" TEMP. PAVEMENT MARKING

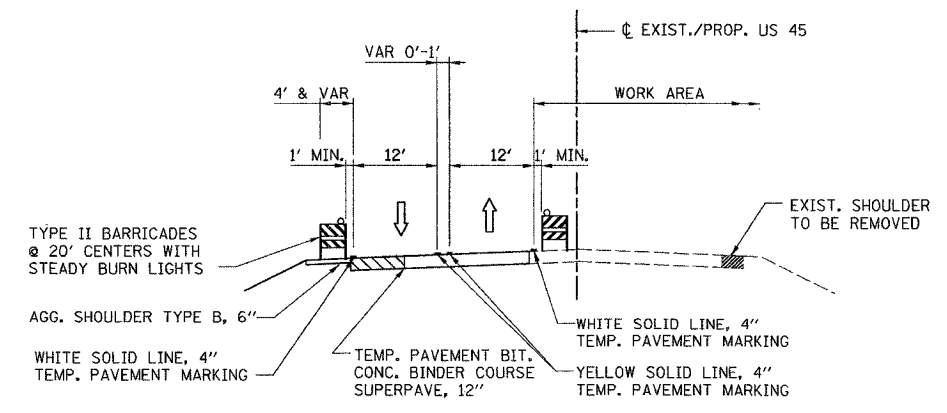
W1-4L(O)-48
30 MPH W13-1(O)-2424
STA. 359+50, RT.

EXIST./PROP. US 45

TYPE II BARRICADES @ 50' CENTERS (TYP.)

TEMPORARY CONCRETE BARRIER - 110 L.F.

TYPE II BARRICADES @ 20' CENTERS (TYP.)



SECTION C-C

N.T.S.

NOTE:
1. FOR TYPICAL SECTION AT PROPOSED STRUCTURE SEE STRUCTURAL DRAWINGS.

LEGEND:

- PERMANENT CONSTRUCTION
- TEMPORARY PAVEMENT
- BARRICADE, TYPE III
- BARRICADE, TYPE II

REVISIONS	
NAME	DATE

ILLINOIS DEPARTMENT OF TRANSPORTATION
U.S. ROUTE 45
MAINTENANCE OF TRAFFIC
STAGE 1B
STA. 355+00 TO STA. 370+00

SCALE: 1" = 50'
DATE

DRAWN BY SK
CHECKED BY AW

M:\PROJECTS\PROJ\98631\DRAWING\COMMON\...
 Active File
 motoristrib-3.dgn
 hp-3226c4.dgn
 hp-3226c1.dgn
 hp-3226c2.dgn

motoristrib-3.dgn 6/12/2005 1:36:31 PM