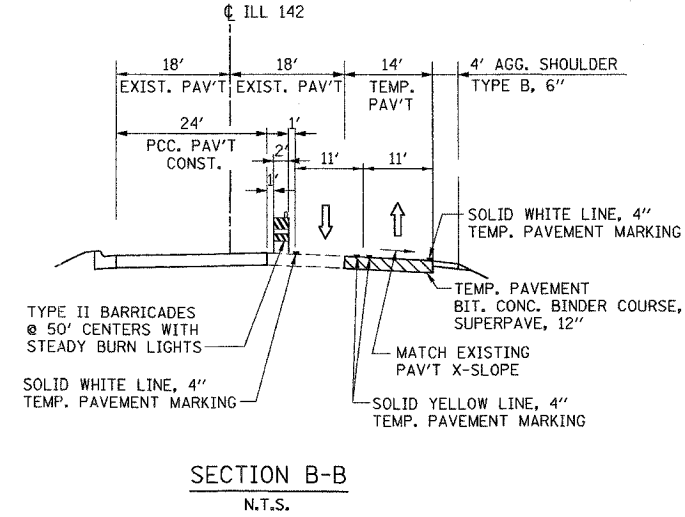
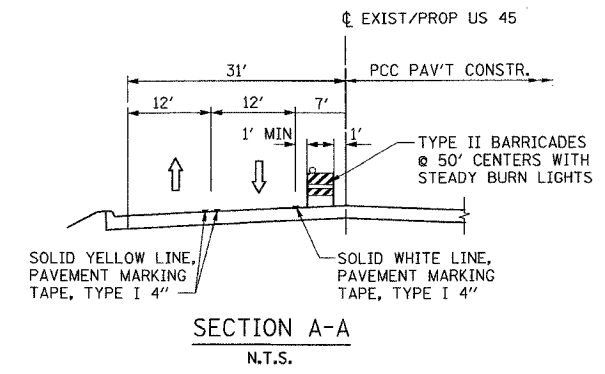
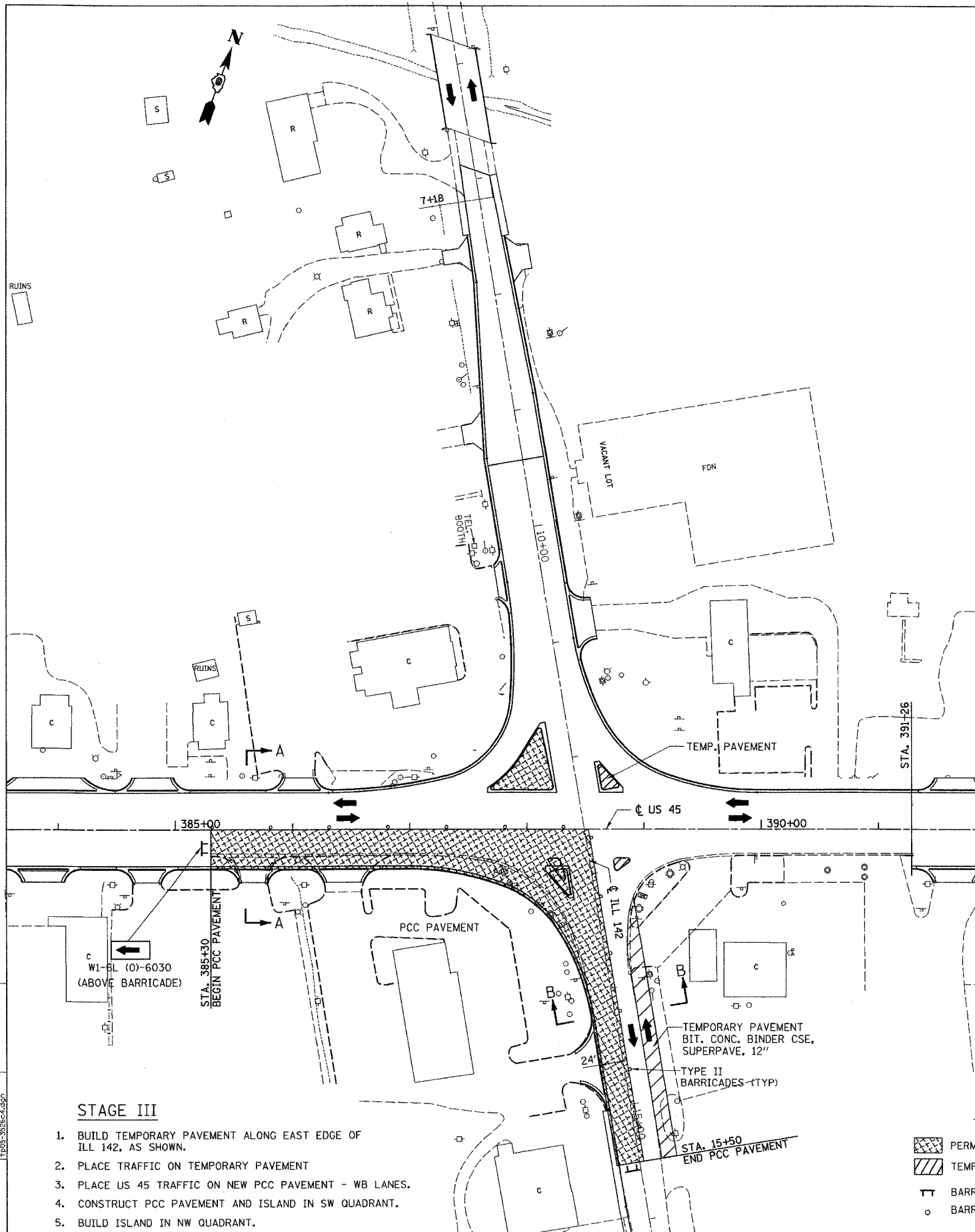


F.A. RTE.	SECTION	COUNTY	TOTAL SHEETS	SHEET NO.
332	31-1-2, 31B	SALINE	199	39
STA.		TO STA.		
FED. ROAD DIST. NO.		ILLINOIS FED. AID PROJECT		



- NOTES:
- PAVEMENT MARKING TAPE, TYPE I 4" WILL BE USED FOR TEMPORARY MARKING ON PCC PAVEMENT.
 - TAPER RATES FOR LANE REDUCTION/CLOSURE WILL BE IN ACCORDANCE WITH APPLICABLE TRAFFIC CONTROL STANDARDS.

ILLINOIS DEPARTMENT OF TRANSPORTATION
U.S. ROUTE 45
MAINTENANCE OF TRAFFIC
STAGES OF CONSTRUCTION
AT US 45 AND ILL 142

SCALE: 1"= 50'
 DATE _____ DRAWN BY SK
 CHECKED BY AW

REVISIONS	
NAME	DATE

- STAGE III**
- BUILD TEMPORARY PAVEMENT ALONG EAST EDGE OF ILL 142, AS SHOWN.
 - PLACE TRAFFIC ON TEMPORARY PAVEMENT
 - PLACE US 45 TRAFFIC ON NEW PCC PAVEMENT - WB LANES.
 - CONSTRUCT PCC PAVEMENT AND ISLAND IN SW QUADRANT.
 - BUILD ISLAND IN NW QUADRANT.

- LEGEND:**
- PERMANENT CONSTRUCTION
 - TEMPORARY PAVEMENT
 - BARRICADE, TYPE III
 - BARRICADE, TYPE II

M:\PROJECTS\PROJECTS\ROADWAY\COMMON\ACTIVE FILES
 PROJECT: 98631\98631\98631.dgn
 DATE: 11/15/00
 TIME: 10:00 AM
 USER: JAW
 PLOT: 11/15/00 10:00 AM
 PLOT: 11/15/00 10:00 AM