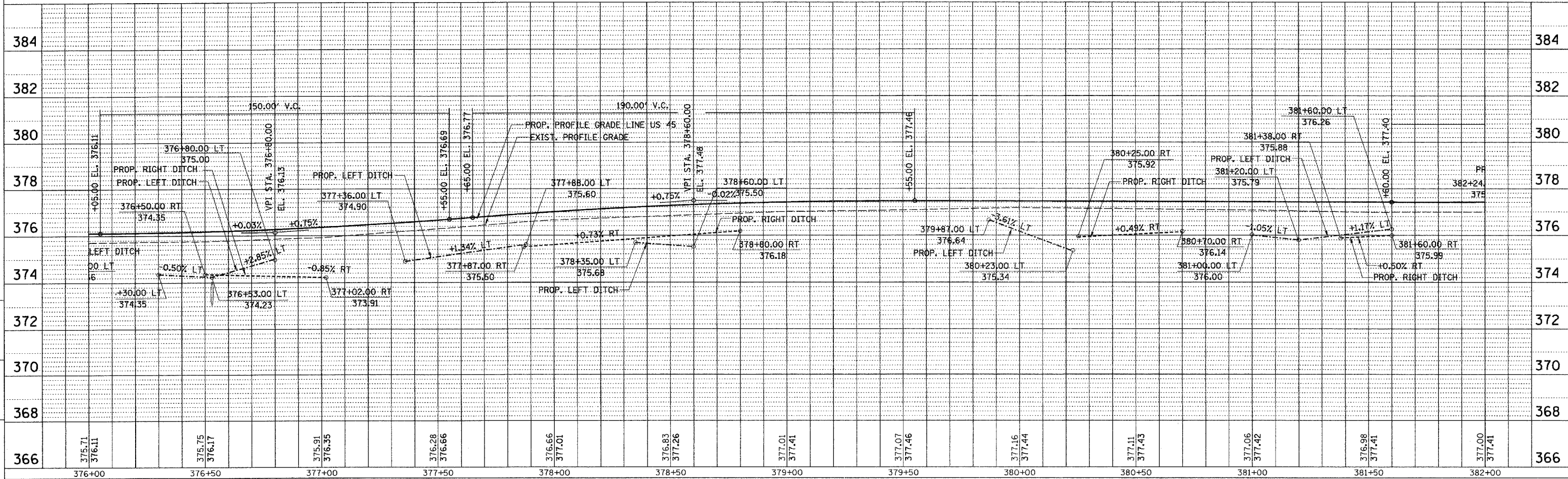
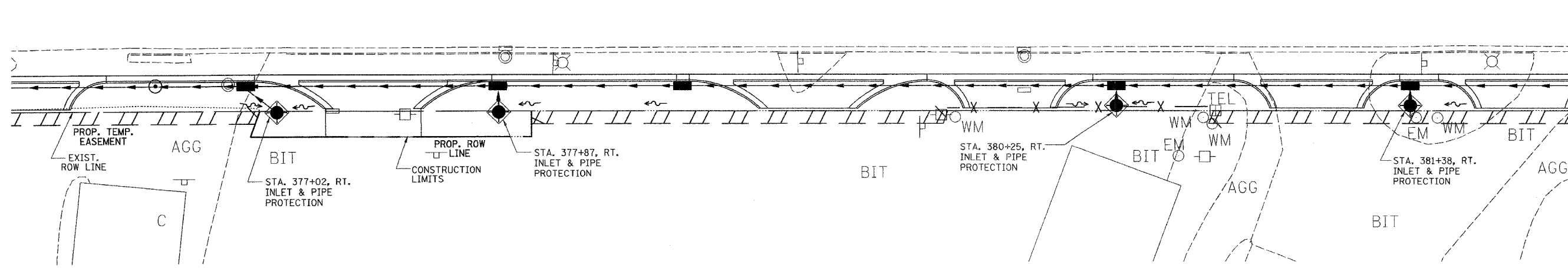
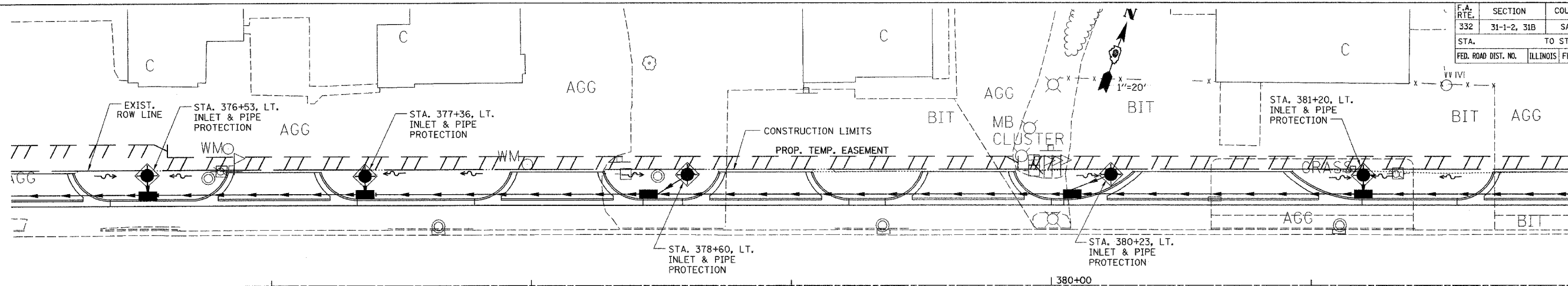


F.A. RTE.	SECTION	COUNTY	TOTAL SHEETS	SHEET NO.
332	31-1-2, 31B	SALINE	199	78
STA.		TO STA.		
FED. ROAD DIST. NO.		ILLINOIS FED. AID PROJECT		



M:\PROJECTS\98631\ROADWAY\COMMON Reference Files
 Active File: 8/25/2014-Edg

TEMPORARY EROSION CONTROL PLAN - STA. 376+00 TO STA. 382+00