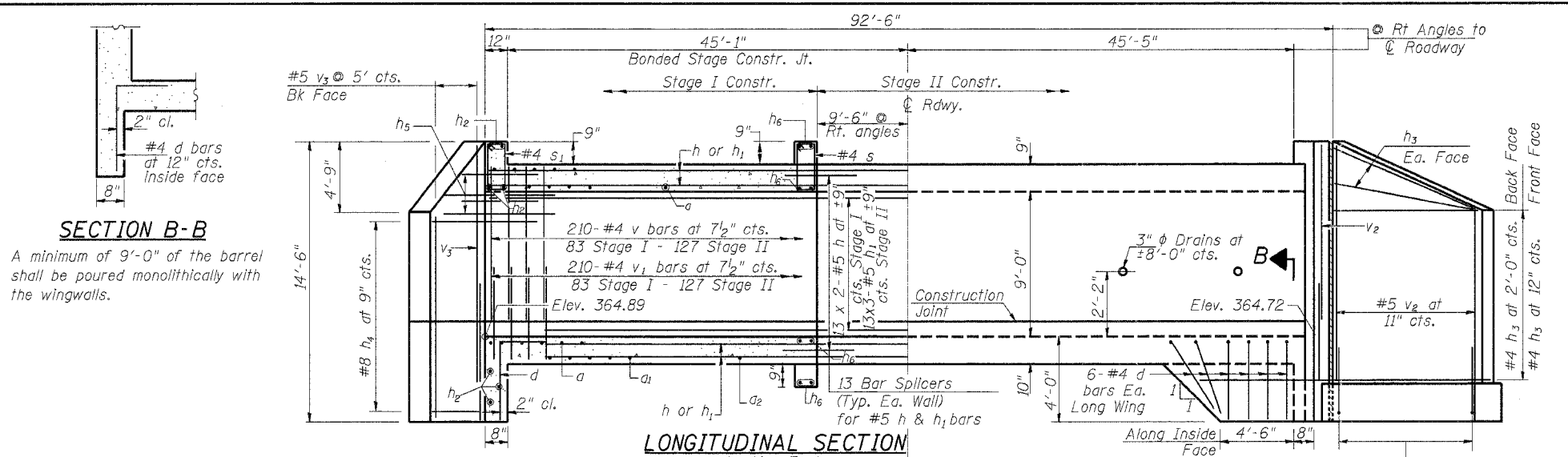
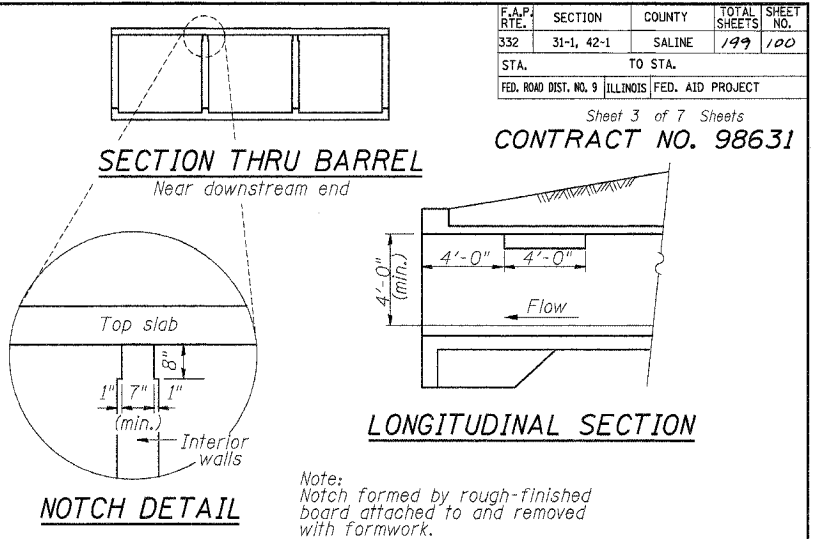


F.A.P. RTE.	SECTION	COUNTY	TOTAL SHEETS	SHEET NO.
332	31-1, 42-1	SALINE	199	100
STA.	TO STA.			
FED. ROAD DIST. NO. 9 ILLINOIS FED. AID PROJECT				

Sheet 3 of 7 Sheets
CONTRACT NO. 98631



SECTION B-B
 A minimum of 9'-0" of the barrel shall be poured monolithically with the wingwalls.

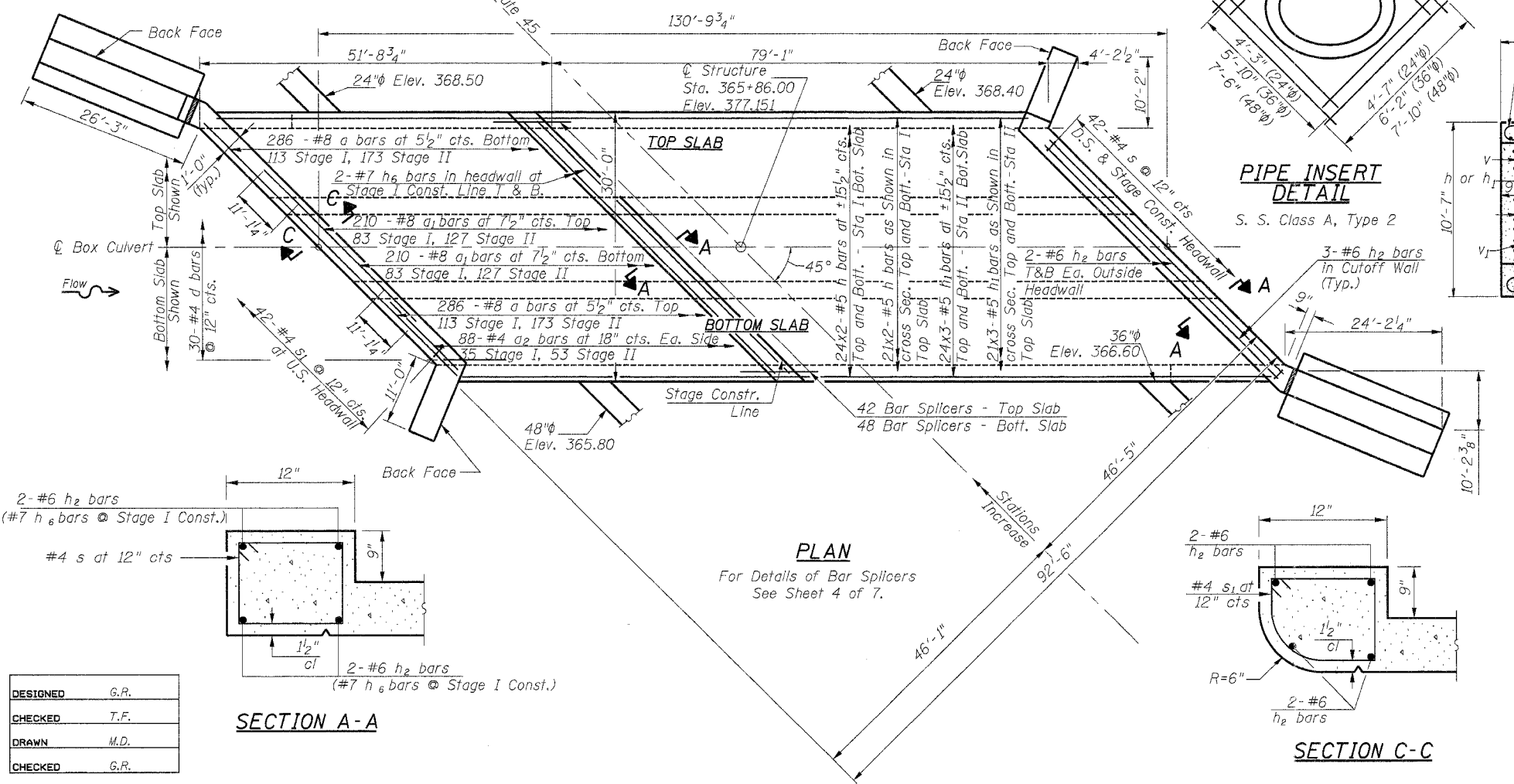
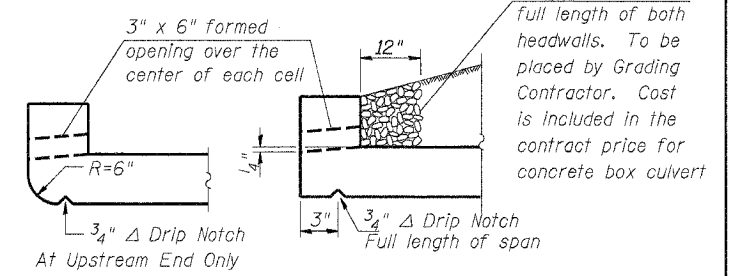


*Note:
 See Sheet 5 of 7 for wingwall reinforcement details

***SHORT WING**
 Showing Back Face

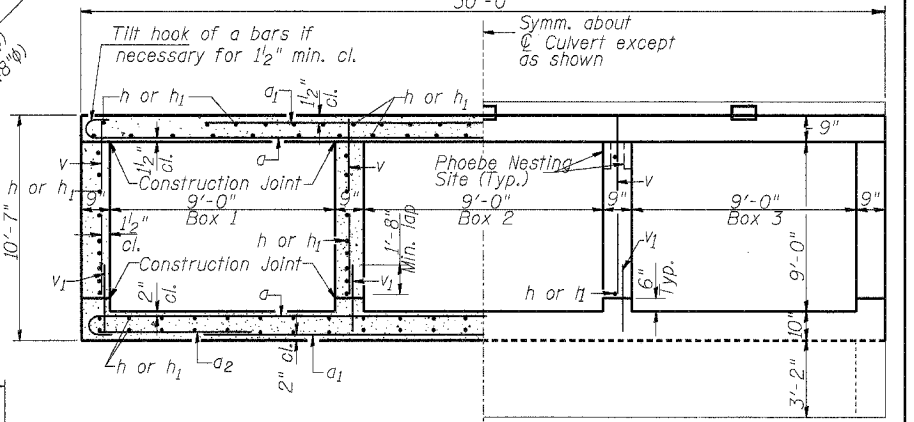
WING WALLS	BARREL
#4 - 1'-8"	#4 - 1'-4"
#5 - 2'-2"	#5 - 1'-8"
#6 - 2'-7"	#7 - 2'-9"
#7 - 3--5"	#9 - 4'-7"

***LONG WING**
 Showing Back Face



Prop. 24" φ Pipe
 Prop. 36" φ Pipe
 Prop. 48" φ Pipe

PIPE INSERT DETAIL
 S. S. Class A, Type 2



Max. Soil Pressure Under Footing = 2.94 K/sq. ft.
 Bars indicated thus 21 x 2-#4 bars etc. indicates 21 lines of bars with 2 lengths per line.

CULVERT DETAILS
U.S. ROUTE 45 OVER
TRIBUTARY TO MIDDLE FORK OF SALINE RIVER
F.A.P. ROUTE 332 SECTION 31-1, 42-1
SALINE COUNTY
STATION 365+86.00
STRUCTURE NUMBER 083-2014

DESIGNED	G.R.
CHECKED	T.F.
DRAWN	M.D.
CHECKED	G.R.

SECTION A-A

SECTION C-C