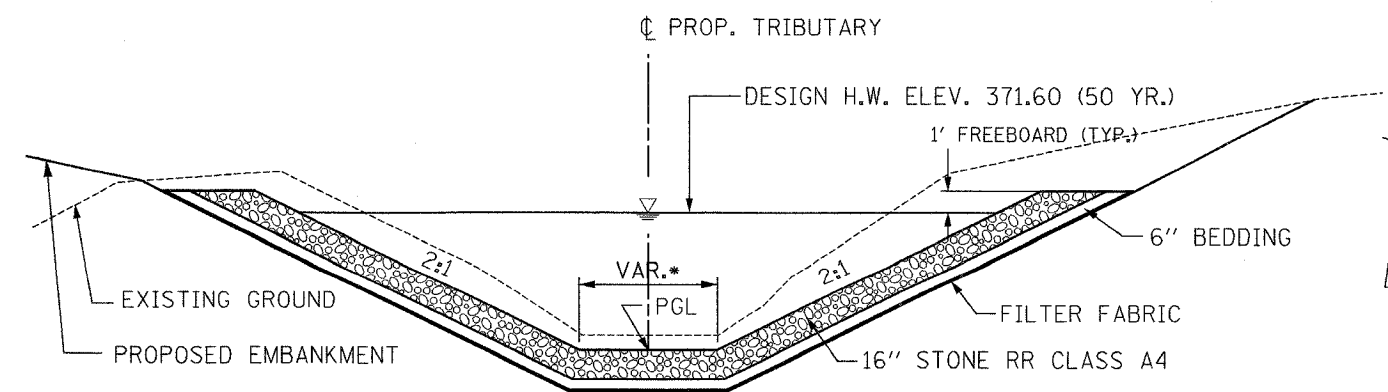
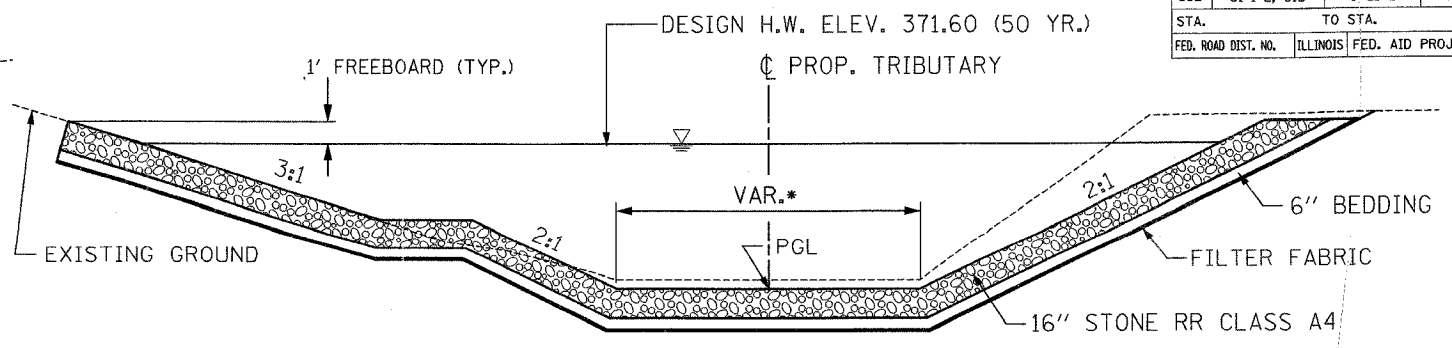


F.A.P. RTE.	SECTION	COUNTY	TOTAL SHEETS	SHEET NO.
332	31-1-2, 31B	SALINE	199	105
STA.		TO STA.		
FED. ROAD DIST. NO.		ILLINOIS FED. AID PROJECT		



TYPICAL CHANNEL SECTION
(NO SCALE)

* CHANNEL BOTTOM VARIES FROM 6'-0" AT STA. 0+20 TO 28'-6" AT STA. 1+01.
CHANNEL BOTTOM IS 28'-6" FROM STA. 1+01 TO STA. 2+32.

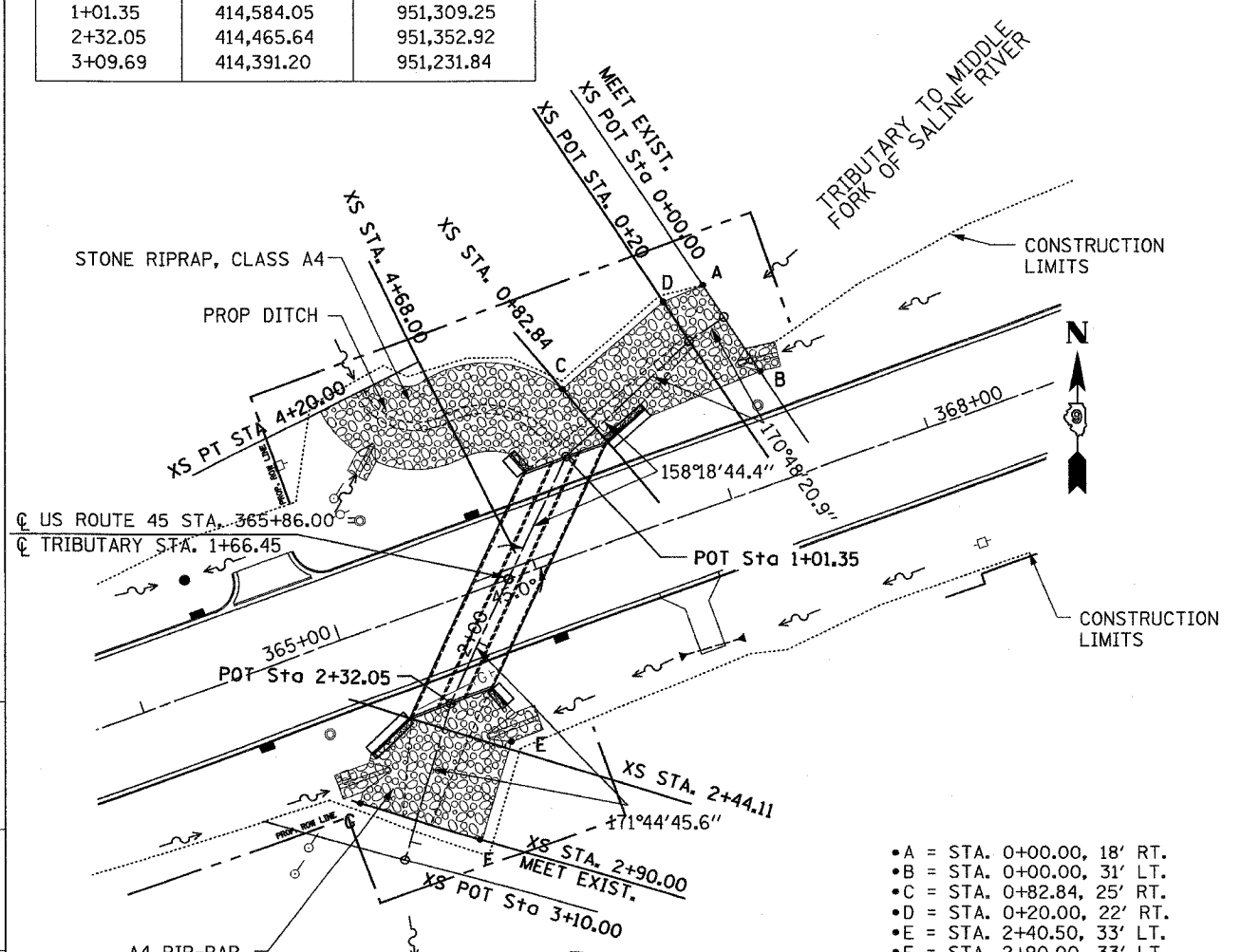


TYPICAL CHANNEL SECTION
(NO SCALE)

* CHANNEL BOTTOM VARIES FROM 28'-6" AT STA. 2+32 TO 14'-0" AT STA. 2+90.

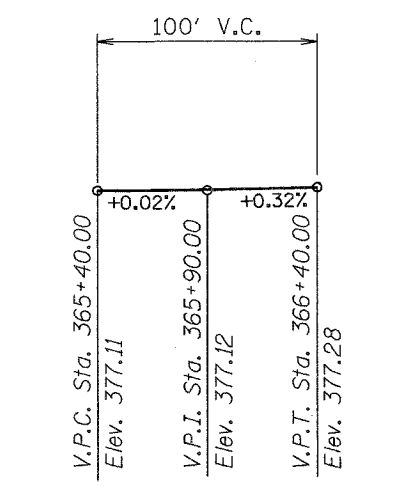
CHANNEL ALIGNMENT - COORDINATE DATA

STATION	NORTHING	EASTING
0+00.00	414,650.99	951,385.07
0+20.13	414,639.72	951,368.40
1+01.35	414,584.05	951,309.25
2+32.05	414,465.64	951,352.92
3+09.69	414,391.20	951,231.84

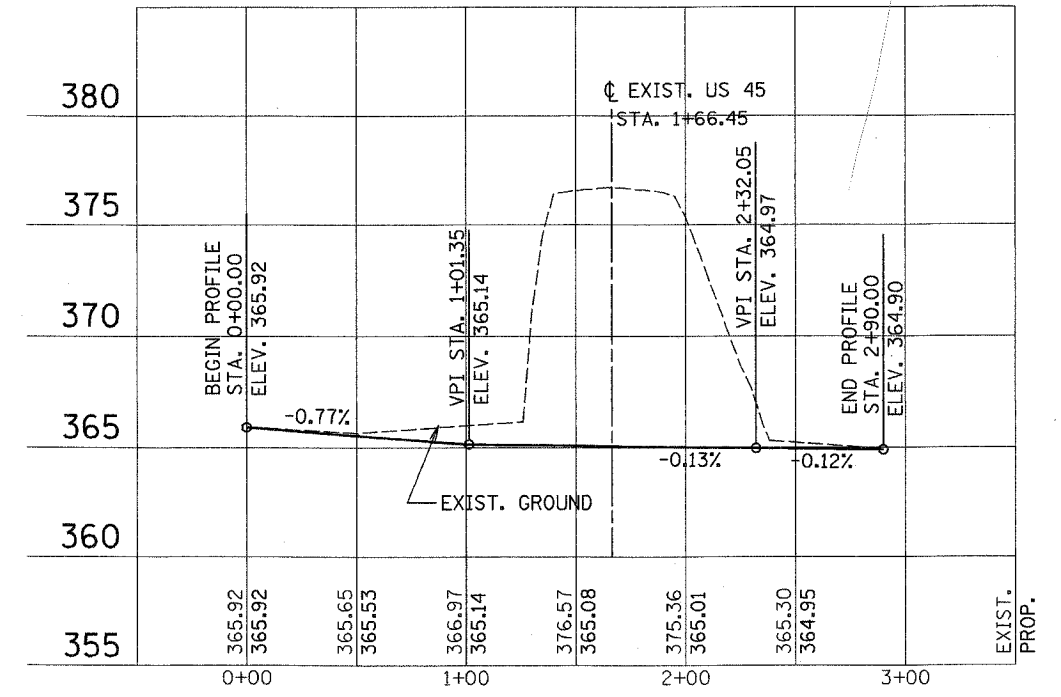


PLAN
1" = 40'

- A = STA. 0+00.00, 18' RT.
- B = STA. 0+00.00, 31' LT.
- C = STA. 0+82.84, 25' RT.
- D = STA. 0+20.00, 22' RT.
- E = STA. 2+40.50, 33' LT.
- F = STA. 2+90.00, 33' LT.
- G = STA. 2+90.00, 27' RT.



PROFILE GRADE
Along \bar{C} of U.S. Route 45



CHANNEL PROFILE
1" = 40'

NOTES:

1. SEE SHEET 109 FOR DITCH IMPROVEMENT
2. SEE SHEET 98-104 FOR BOX CULVERT PLANS

**CHANNEL IMPROVEMENT
TRIBUTARY TO MIDDLE
FORK OF SALINE RIVER
SALINE COUNTY
STATION 365+86.00
STR. NO. 083-2014**

M:\PROJ\3526\ROADWAY\CONTRACT 4\083-2014\ACTIVE Files\Reference Files\CONSTRUC\083-2014.dwg
 DRAWN BY: JLS
 CHECKED BY: JLS