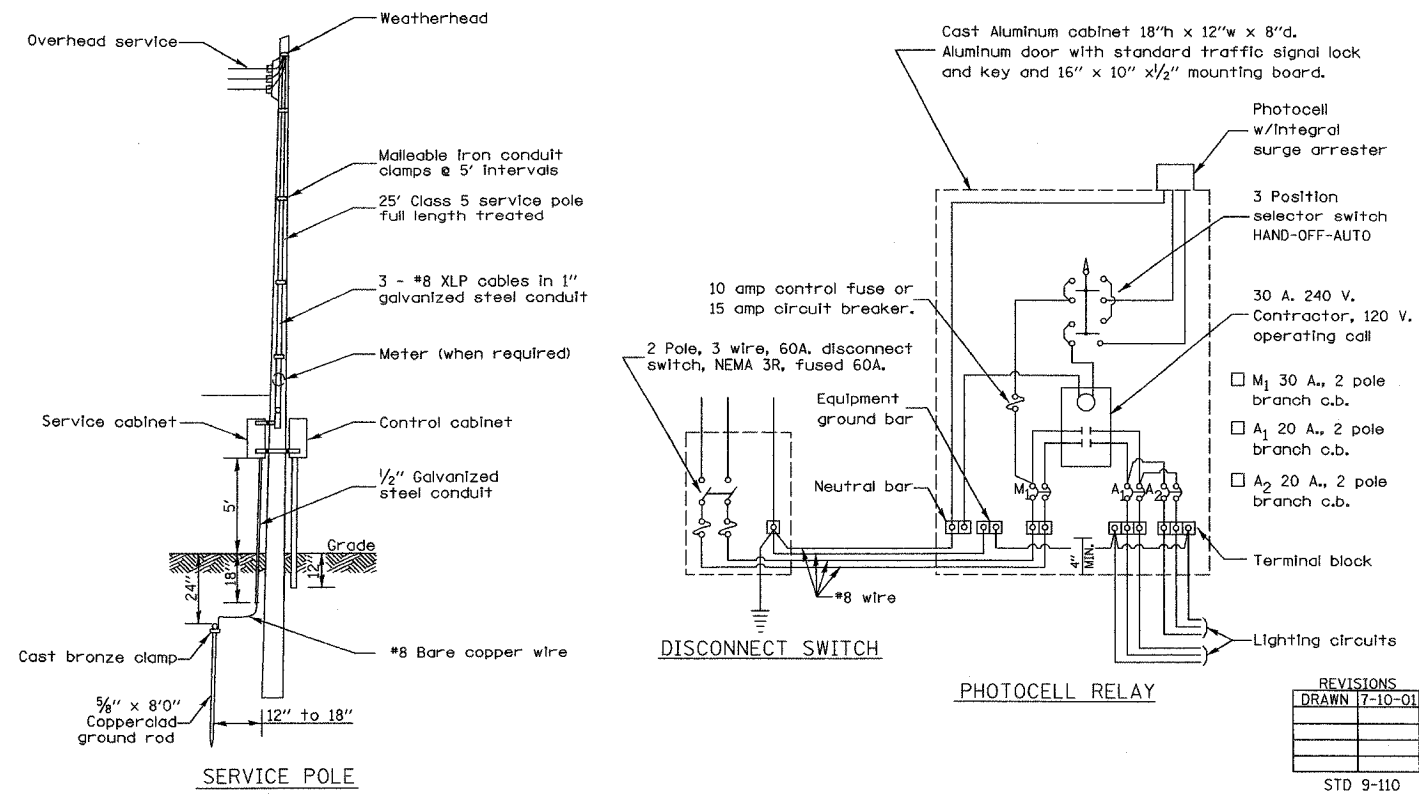
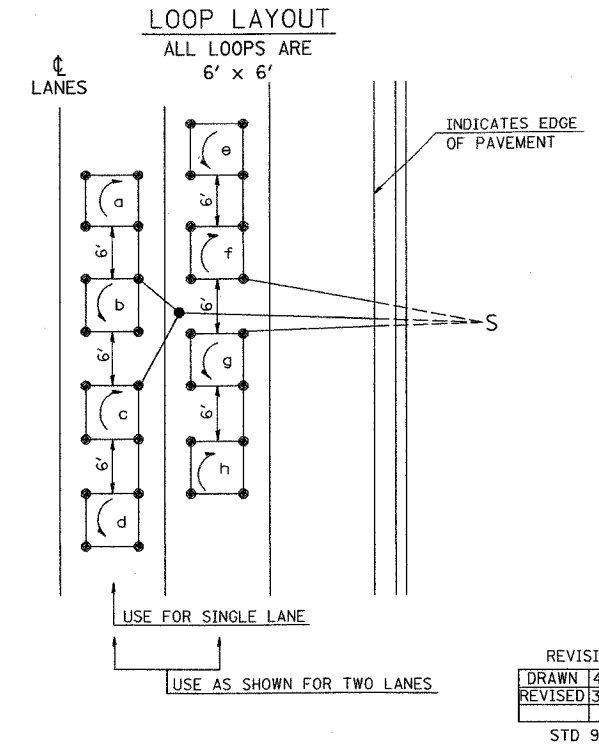
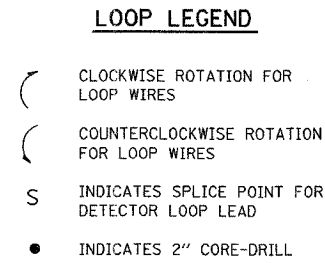


### CONTROL INSTALLATION SERVICE POLE MOUNTED



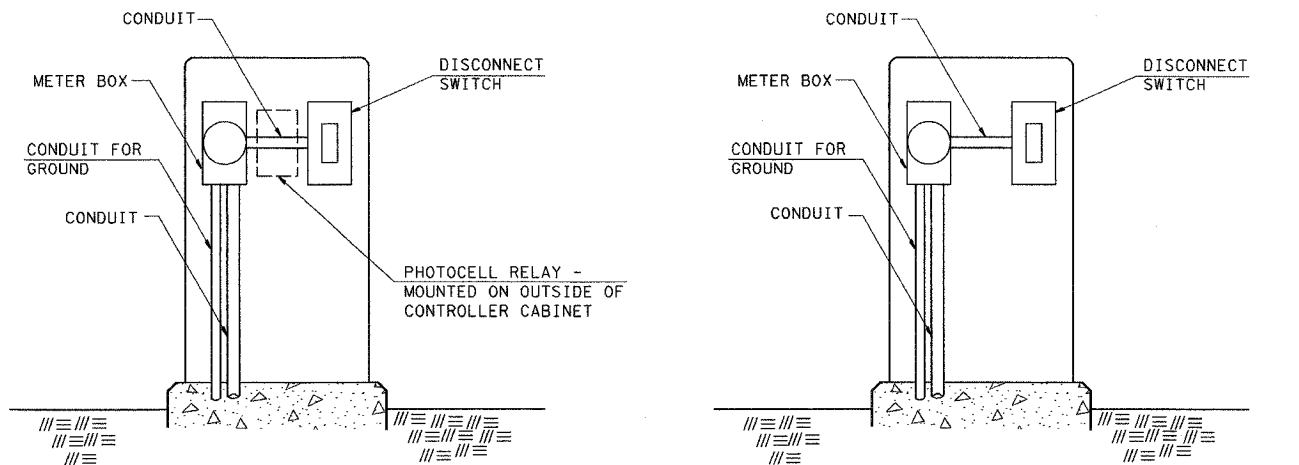
### 6' x 6' DETECTOR LOOPS

- NOTES**  
(APPLIES TO 6' x 6' LOOPS ONLY)
- THE DETECTOR LOOPS SHALL BE TYPE I. EACH DETECTOR LOOP SHALL HAVE 3 TURNS OF LOOP WIRE AND BE INSTALLED IN ACCORDANCE WITH THE APPLICABLE PORTIONS OF SECTION T418 OF THE STANDARD SPECIFICATIONS FOR TRAFFIC CONTROL ITEMS.
  - BEGINNING LEAD WIRES SHALL BE CONNECTED TO THE BLACK LEAD AND THE ENDING LEAD WIRES SHALL BE CONNECTED TO THE WHITE LEAD OF THE TWIN TWISTED FEED CABLES AT THE SPLICE POINT.
  - IF LOOPS ARE TO BE COVERED WITH SURFACE COURSE, THE 2" DRILLED CORES SHALL BE REPLACED WITH A 45 DEGREE SAWED SLOT ON EACH CORNER.



### SERVICE INSTALLATION DETAILS

MATERIAL AND SIZE OF CONDUIT AND CABLE AS REQUIRED BY UTILITY COMPANY

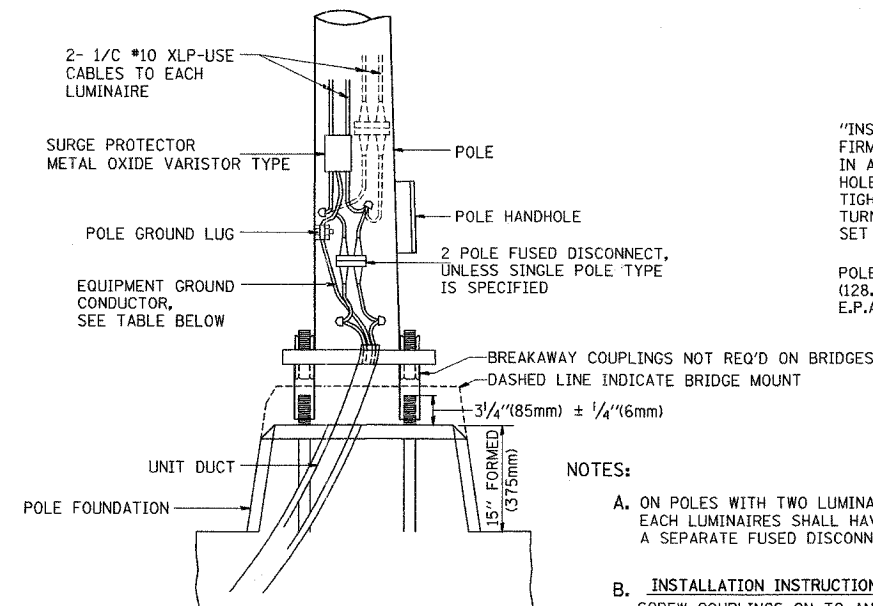


SERVICE INSTALLATION (SPECIAL) WITH PHOTOCELL RELAY

SERVICE INSTALLATION (SPECIAL)

REVISIONS  
DRAWN 1-31-90  
REVISED 2-24-92  
STD 9-68

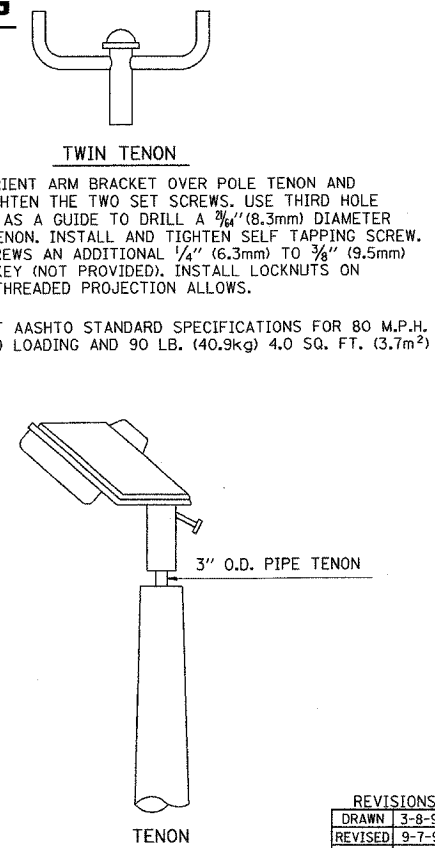
### POLE BASE WIRING & LUMINAIRE MOUNTING



**POLE BASE WIRING**  
EQUIPMENT GROUND-TABLE

BREAKER SIZE	CONDUCTOR SIZE
30 AMP.	#10 COPPER
40 AMP.	#10 COPPER
60 AMP.	#10 COPPER
100 AMP.	#8 COPPER

- NOTES:**
- ON POLES WITH TWO LUMINAIRES, EACH LUMINAIRE SHALL HAVE A SEPARATE FUSED DISCONNECT
  - INSTALLATION INSTRUCTIONS:** SCREW COUPLINGS ON TO ANCHOR BOLTS TO END OF THREADS. LEVEL COUPLINGS, VERY IMPORTANT, AS COUPLINGS WILL BECOME OVERSTRESSED AND EITHER CRACK OR STRIP THREADS INSIDE COUPLING.



REVISIONS  
DRAWN 3-8-95  
REVISED 9-7-99  
STD. 9-102