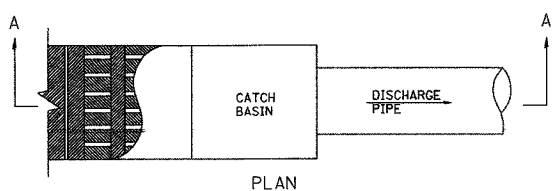
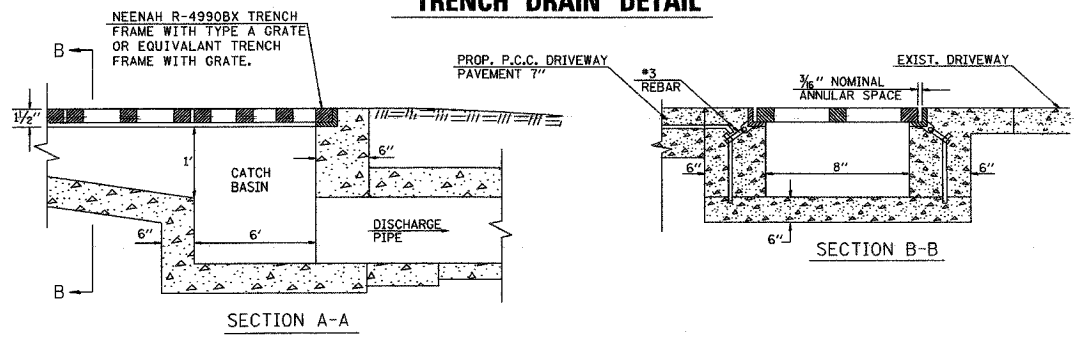


F.A.P. RTE.	SECTION	COUNTY	TOTAL SHEETS	SHEET NO.
332	31-1-2, 31B	SALINE	199	119
STA.		TO STA.		
FED. ROAD DIST. NO.		ILLINOIS FED. AID PROJECT		

TRENCH DRAIN DETAIL

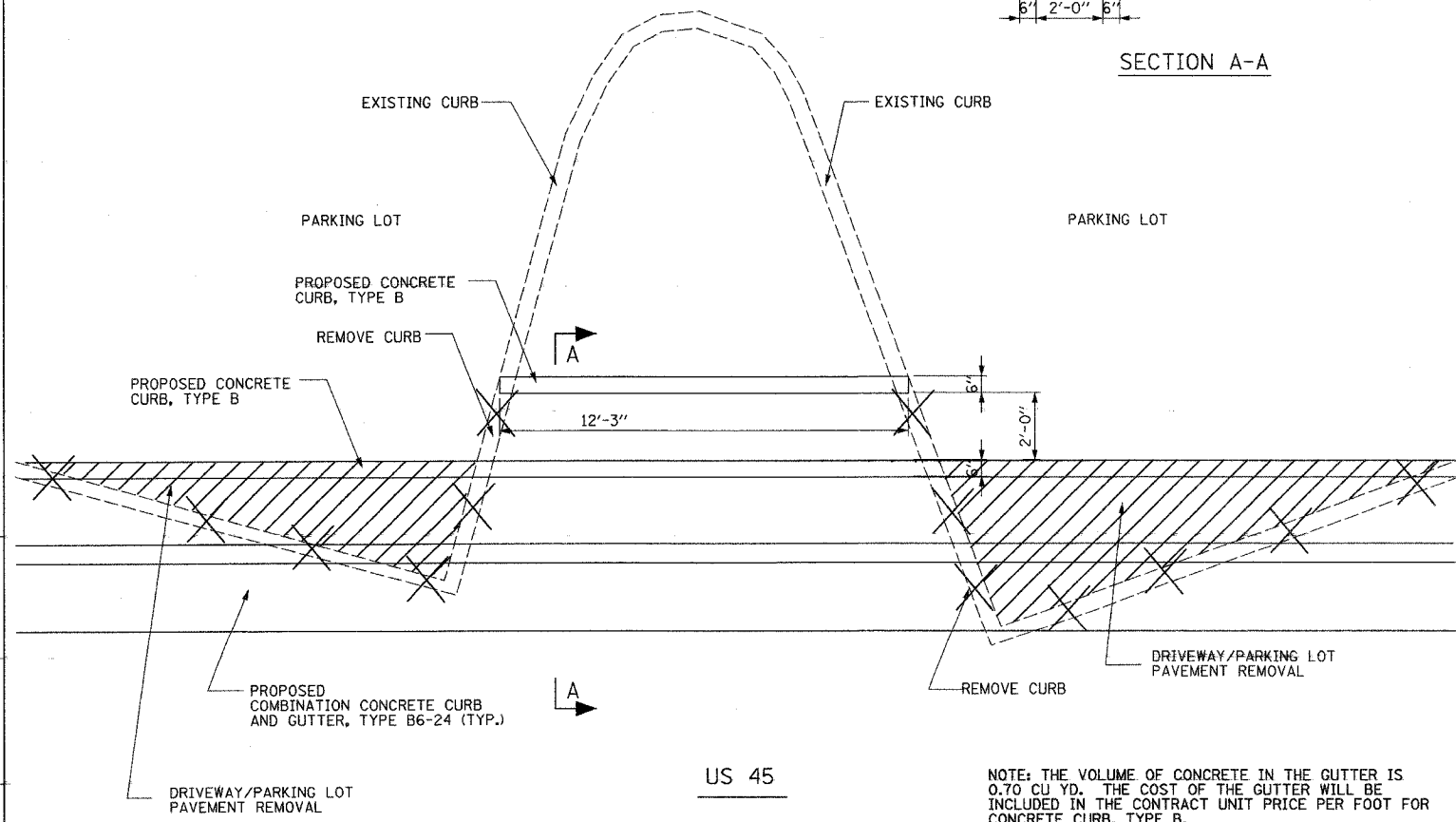
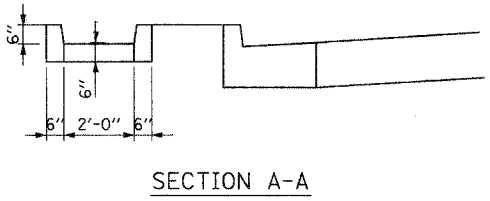


NOTE:
THE COST OF CONSTRUCTING THE TRENCH AND THE TRENCH FRAME AND GRATE SHALL BE PAID FOR AT THE CONTRACT UNIT PRICE PER FOOT FOR TRENCH FRAMES AND GRATES.

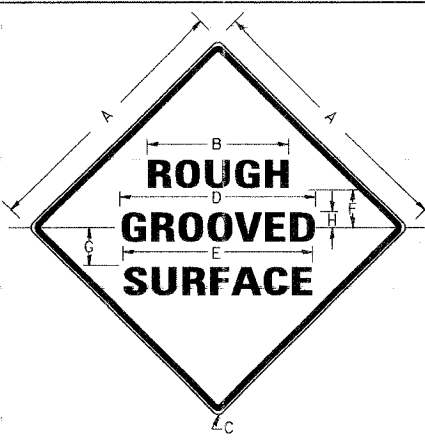
TRENCH DRAIN WITH GRATED COVER

CONCRETE CURB TYPE B DETAIL

STATION 352+42.7 TO STATION 352+85.60



NOTE: THE VOLUME OF CONCRETE IN THE GUTTER IS 0.70 CU YD. THE COST OF THE GUTTER WILL BE INCLUDED IN THE CONTRACT UNIT PRICE PER FOOT FOR CONCRETE CURB, TYPE B.



COLORS:
LEGEND AND BORDER BLACK NON-REFLECTORIZED
BACKGROUND ORANGE REFLECTORIZED.

SIGN SIZE	DIMENSIONS							
	A	B	C	D	E	F	G	H
48X48	48.0	24.1	3.0	34.0	33.0	6.0	13.0	3.5

SIGN SIZE	SERIES LINES			MAR-GIN	BOR-DER	BLANK STD.
	1	2	3			
48X48	7C	7C	7C	0.8	1.2	B4-48D

ALL DIMENSIONS IN INCHES

NOTE: PRIOR TO ALLOWING TRAFFIC ON ANY PORTION OF THE ROADWAY THAT HAS BEEN COLDMILLED, THE CONTRACTOR SHALL HAVE ERECTED "ROUGH GROOVED SURFACE" SIGNS THAT CONFORM TO THE ABOVE DETAILS. A MINIMUM OF ONE SIGN AT EACH END OF THE IMPROVEMENT WILL BE REQUIRED. THE CONTRACTOR SHALL MAINTAIN THE "ROUGH GROOVED SURFACE" SIGNS UNTIL THE COLDMILLED SURFACE IS COVERED WITH LEVELING BINDER OR SURFACE COURSE.

IF AT ANY TIME THE SIGNS ARE IN PLACE BUT NOT APPLICABLE, THEY SHALL BE TURNED FROM THE VIEW OF MOTORISTS OR COVERED AS DIRECTED BY THE ENGINEER.

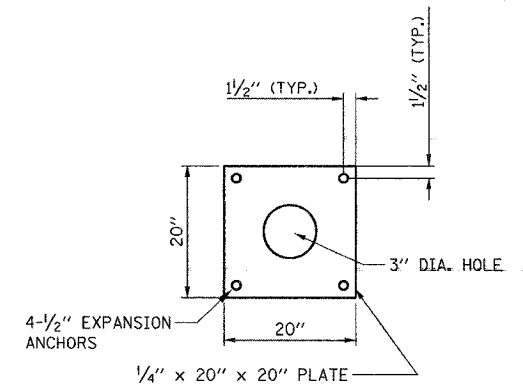
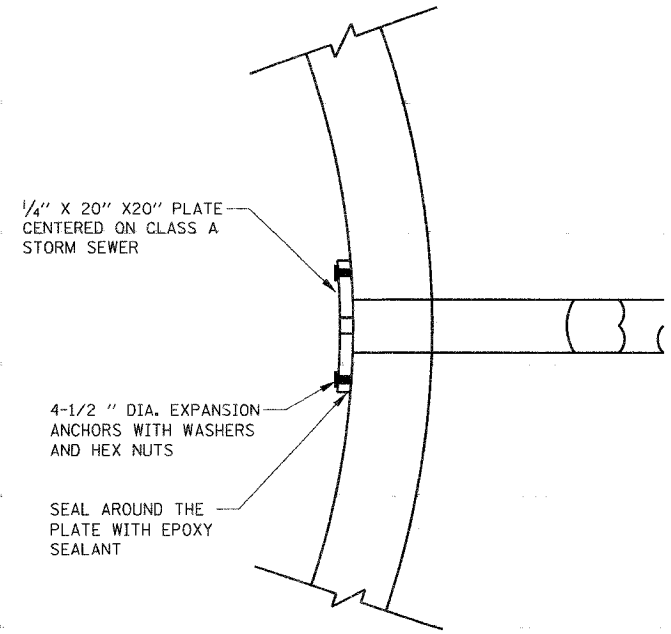
THE COST OF FURNISHING, ERECTING, MAINTAINING, AND REMOVING THE REQUIRED SIGNS SHALL BE INCLUDED IN THE CONTRACT.

REVISIONS

REDRAWN	2-15-89
REVISED	4-6-93

STD. 9-39

**ILLINOIS STANDARD
W8-I106**



NOTE: PLATE SHALL BE CURVED TO MATCH THE INSIDE RADIUS OF THE STRUCTURE.

SECTION

ELEVATION

DRAINAGE RESTRICTOR DETAIL RT. STA. 385 + 36

NOTE: THE RESTRICTOR PLATE AND FASTENERS SHALL BE FABRICATED IN STAINLESS STEEL OR DUCTILE IRON.