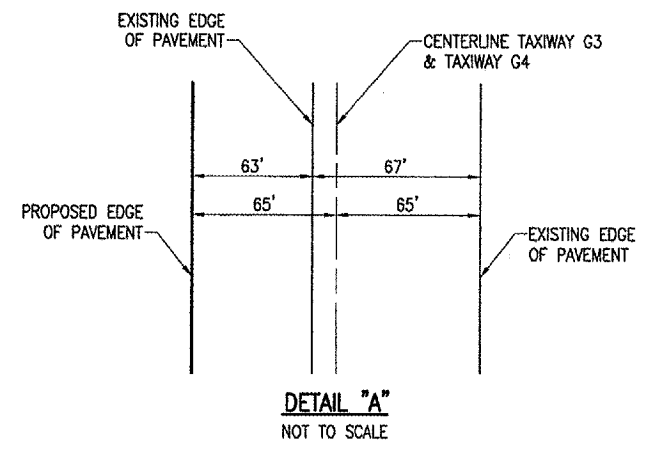


**LEGEND**

- EXISTING PAVEMENT
- PROPOSED BITUMINOUS PAVEMENT
- PROPOSED CONCRETE PAVEMENT



**COORDINATE DATA - TXY "G3" CENTERLINE**

ID.	STATION	OFFSET	NORTHING	EASTING
C	0+00.00	☉	1155006.16	837604.50
D	3+24.32	☉	1154726.62	837769.36
E	4+00.00	☉	1154661.62	837807.69

**COORDINATE DATA - TXY "G" CENTERLINE**

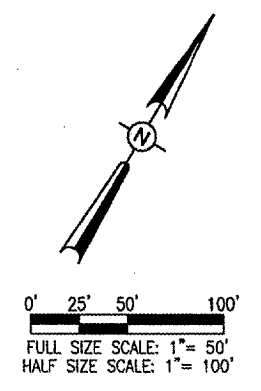
ID.	STATION	OFFSET	NORTHING	EASTING
C	383+10.00	☉	1155006.16	837604.50

**COORDINATE DATA - TAXIWAY "G3"**

NO.	STATION	OFFSET	NORTHING	EASTING
1A	1+50.00	147.00' RT.	1154802.29	837554.07
2A	1+50.00	65.00' RT.	1154843.94	837624.71
3A	2+25.04	65.00' RT.	1154779.30	837662.83
4A	2+25.04	165.00' RT.	1154728.51	837576.69
5A	3+25.04	165.00' RT.	1154642.37	837627.49
6A	1+50.00	150.00' LT.	1154953.16	837809.90
7A	1+50.00	68.00' LT.	1154911.50	837739.27

**COORDINATE DATA - TAXIWAY "G"**

NO.	STATION	OFFSET	NORTHING	EASTING
9	379+13.00	37.50' RT.	1154772.20	837281.60
10	381+63.00	68.00' RT.	1154872.93	837512.43
11	383+54.72	37.50' LT.	1155061.18	837623.97
12	384+60.00	68.00' RT.	1155023.79	837768.25
13	387+10.00	40.50' RT.	1155174.47	837969.62



DATE	REVISION										
<b>HANSON</b> Engineers, Architects, Scientists 525 S. State Street Springfield, Illinois 62763-2886 Offices Nationwide											
<b>TAXIWAY G WIDENING</b> <b>PHASE II</b> PROPOSED GEOMETRIC PLAN STA. 378+00 TO 391+00					<b>7</b> <small>7 of 110 sheets</small>						
<b>DECATUR, ILLINOIS</b> <small>ILL. PROJ.: DEC-3414</small> <small>A.I.P. PROJ.: 3-17-0033-28</small>											
<small>HEI Project No. 802-041XXD          File No. 121GEO.DWG          Scale 1"=50'          Date 10/28/04</small>											
LAYOUT		W/M		10/28/04		DRAWN		W/M		10/28/04	
REVIEWED		W/M		06/07/05		REVIEWED		W/M		06/07/05	

JUN 10, 2005 9:19 AM CCC  
 I:\AIRPORTS\DECATUR\802-041XXD\AIRPORT\SHEETS\CONTRACT-1\R-121GEO.DWG - STA. 378+00 TO 391+00