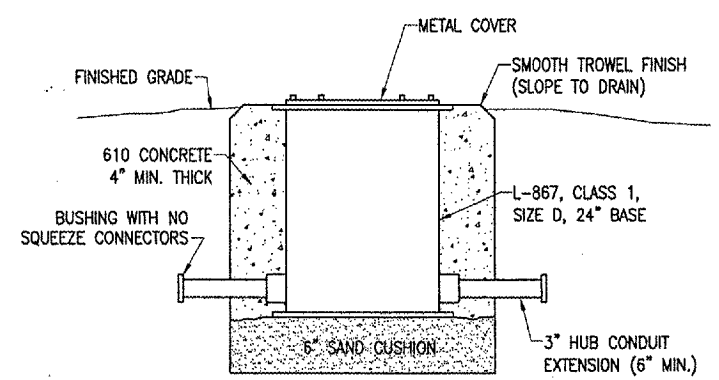
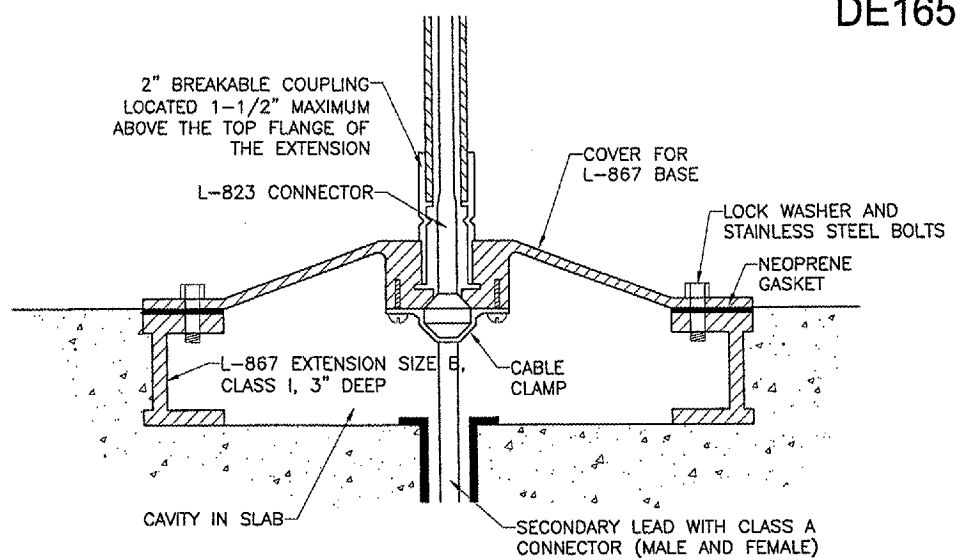


IN-PAVEMENT RUNWAY LIGHT
(NOT TO SCALE)

NOTE:
FLEXIBLE CONDUIT MAY BE CONNECTED TO THE BASE EITHER THROUGH A HUB OR GROMMET.



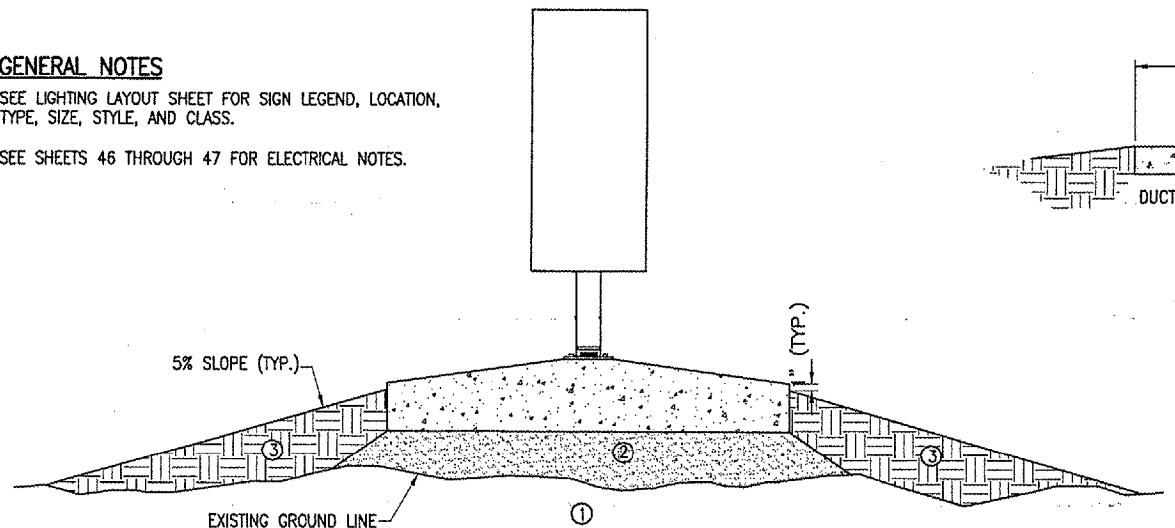
SPLICE CAN DETAIL
(NOT TO SCALE)



DETAIL "A"
(NOT TO SCALE)

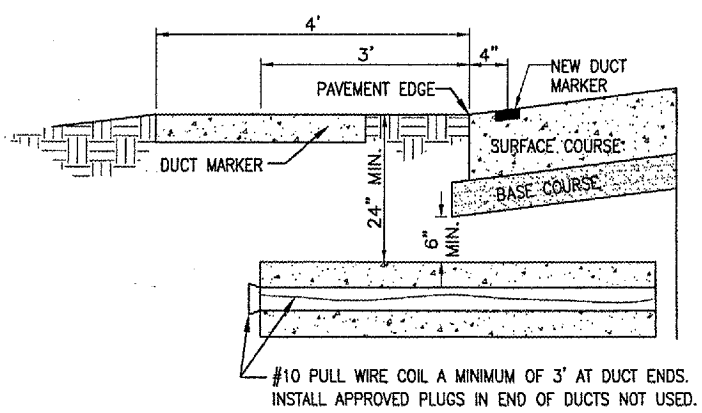
GENERAL NOTES

SEE LIGHTING LAYOUT SHEET FOR SIGN LEGEND, LOCATION, TYPE, SIZE, STYLE, AND CLASS.
SEE SHEETS 46 THROUGH 47 FOR ELECTRICAL NOTES.

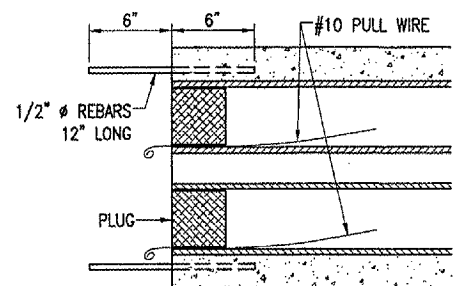


SIGN DETAIL
(NOT TO SCALE)

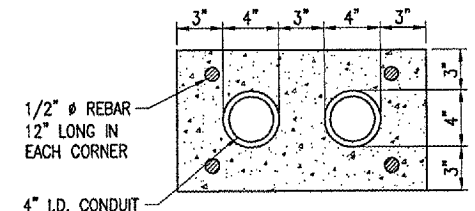
- ① EXISTING SOD TO BE STRIPPED AND REMOVED
- ② SAND BACKFILL, VARIABLE DEPTH
- ③ PROPOSED TOPSOIL BACKFILL MATERIAL



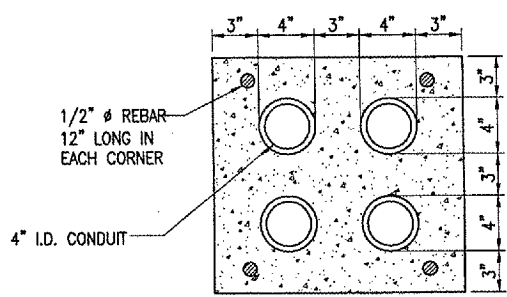
UNDERGROUND ELECTRICAL DUCT
(NOT TO SCALE)



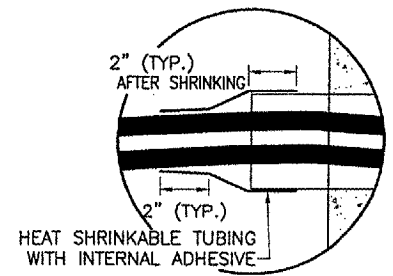
TYPICAL SECTION
(NOT TO SCALE)



2-DUCT BANK
(NOT TO SCALE)

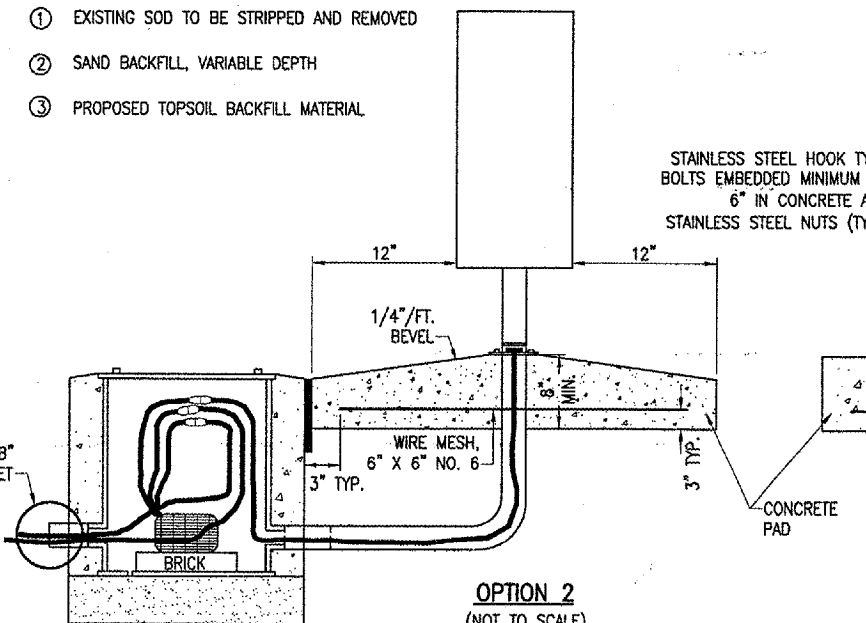


4-DUCT BANK
(NOT TO SCALE)

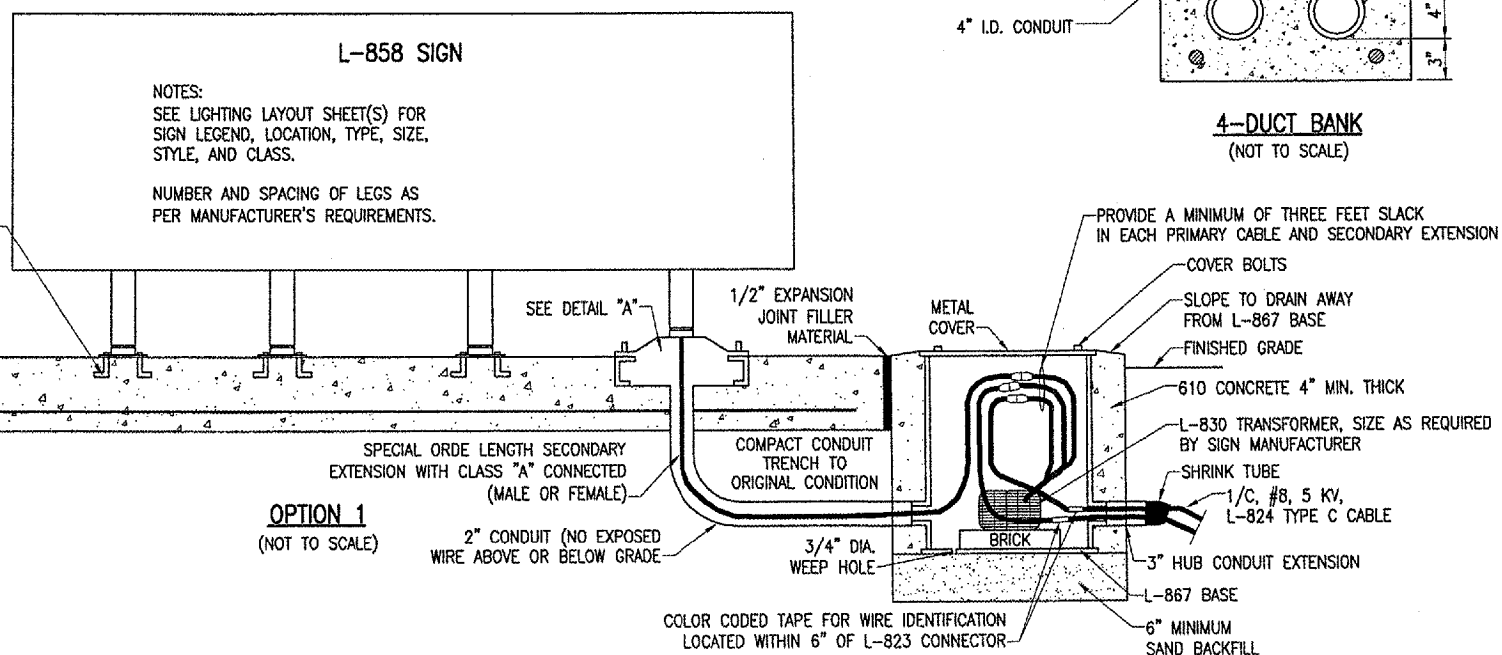


DETAIL "B"
(NOT TO SCALE)

SEE DETAIL "B" ON THIS SHEET



OPTION 2
(NOT TO SCALE)



OPTION 1
(NOT TO SCALE)

BY	
REVISION	
DATE	

DECATUR, ILLINOIS
A.I.P. PROJ.: 3-17-0033-28
IL PROJ.: DEC-3414

HEI Project No.	802-041X10
Filename	R-541ELE.DWG
Scale	N/A
Date	03/08/05
LAYOUT	CCC 03/18/05
DRAWN	CCC 03/18/05
REVIEWED	WJM 06/07/05

HANSON
Engineers, Architects, Scientists
1525 South Sixth Street
Springfield, Illinois 62703-2886
Offices Nationwide

TAXWAY G WIDENING
PHASE II
ELECTRICAL DETAILS

JUN 10, 2005 9:46 AM CCC I:\AIRPORTS\DECATUR\802-041X10\AIRPORT SHEETS\CONTRACT-1\R-541ELE.DWG - ELEC. DETAILS 1