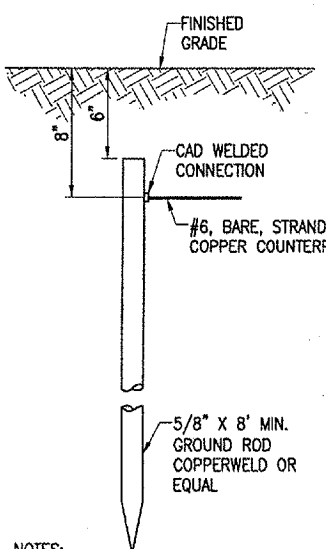
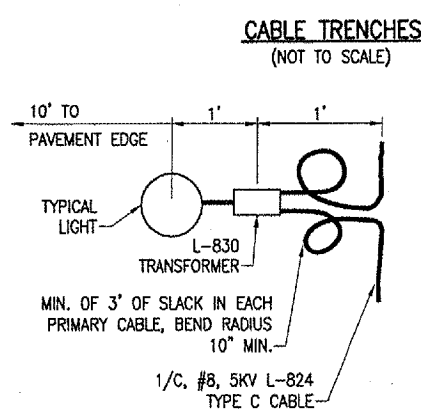


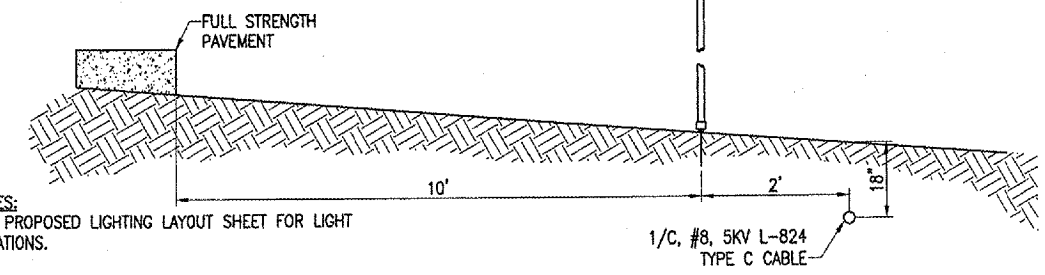
NOTES:
 DETAIL NUMBERS INDICATE NO. OF CABLES.
 TRENCHES WITH MORE THAN SEVEN CABLES SHALL BE INCREASED 3" IN WIDTH FOR EACH ADDITIONAL CABLE; IF SPECIFIED ON PLANS TWO PARALLEL TRENCHES MAY BE CONSTRUCTED.
 DEPTH OF TRENCHES SHALL BE AS SHOWN ABOVE UNLESS OTHERWISE SPECIFIED ON THE PLANS.
 ALL DISTURBED SURFACES SHALL BE RESTORED TO THEIR ORIGINAL CONDITION. COST IS INCIDENTAL TO TRENCH.



NOTES:
 TYPE AND MINIMUM NUMBER OF GROUND RODS SHALL BE AS SPECIFIED ON THE PLAN.
 THE RESISTANCE TO GROUND OF THE COUNTERPOISE GROUNDING SYSTEM SHALL NOT EXCEED 25 OHMS.
 COST OF GROUND RODS IS INCIDENTAL TO THE ASSOCIATED ITEMS REQUIRING GROUNDING UNLESS OTHERWISE SPECIFIED.

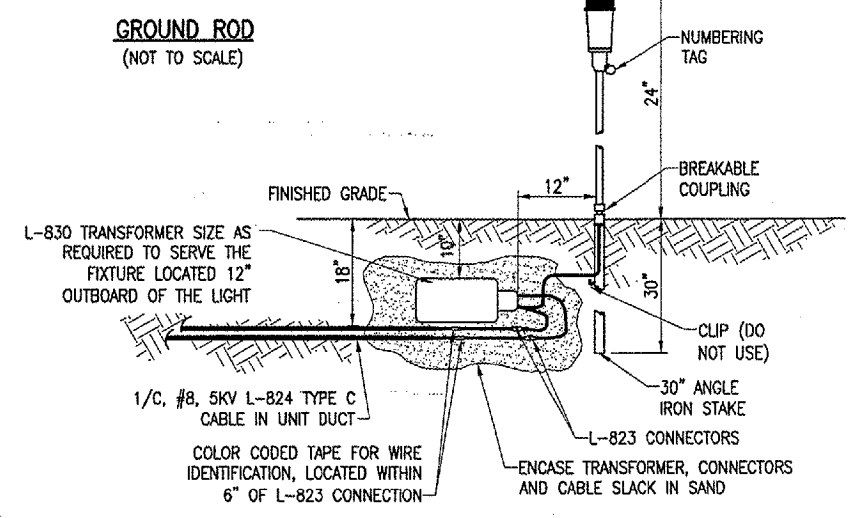


PLAN VIEW
(NOT TO SCALE)

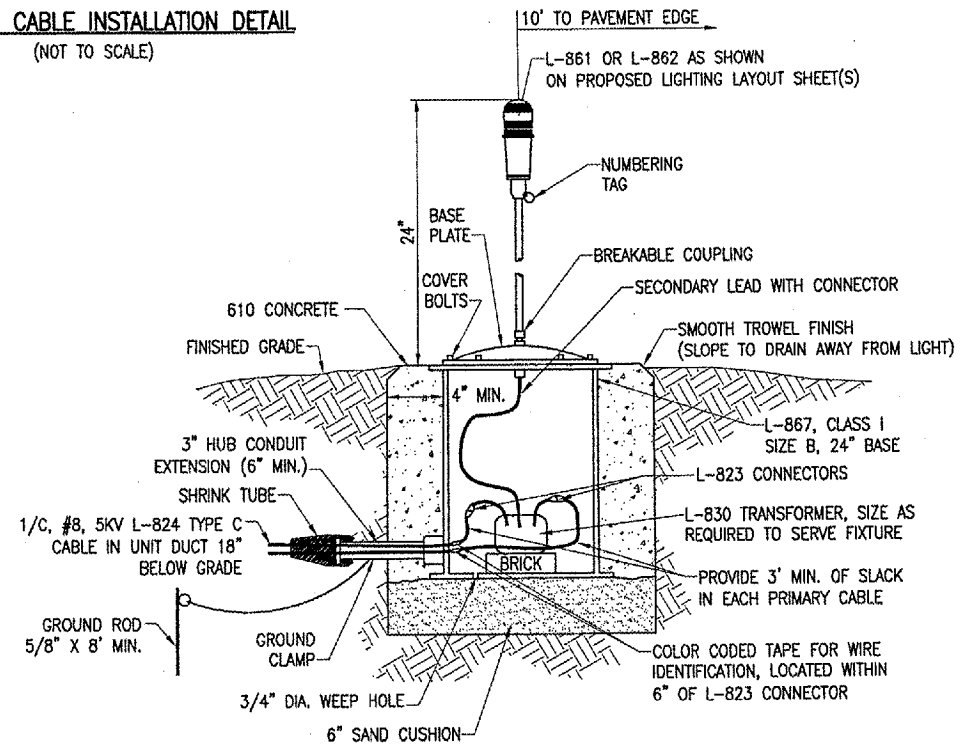


PROFILE VIEW
(NOT TO SCALE)

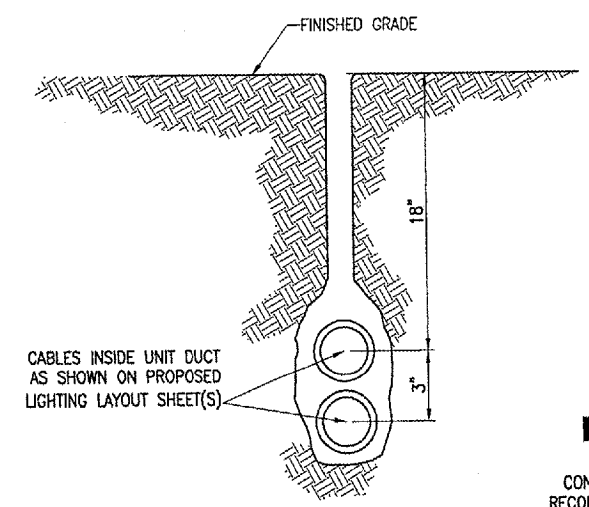
LIGHT AND CABLE INSTALLATION DETAIL
(NOT TO SCALE)



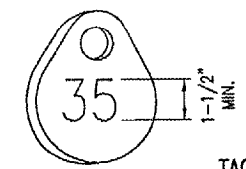
MEDIUM INTENSITY LIGHT - STAKE MOUNTED
(NOT TO SCALE)



MEDIUM/HIGH INTENSITY LIGHT - BASE MOUNTED
(NOT TO SCALE)

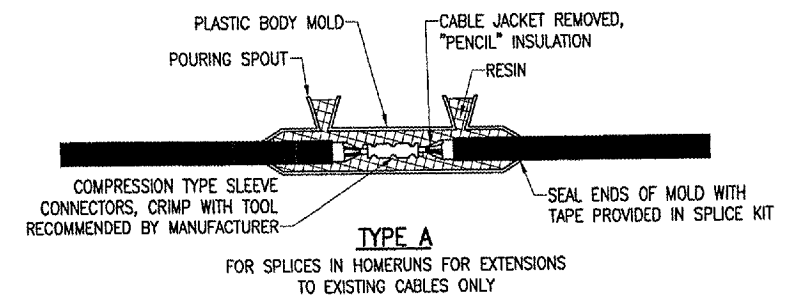


PLOWED CABLE
(NOT TO SCALE)



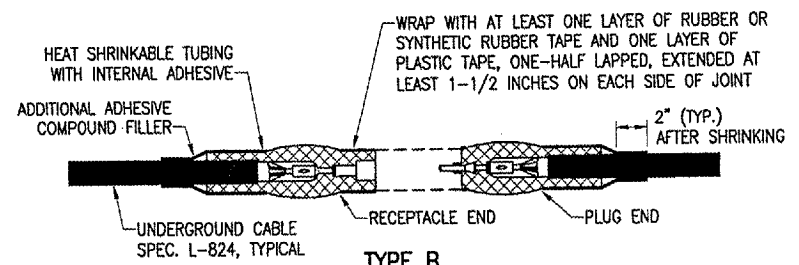
TAG DETAIL
(NOT TO SCALE)

NOTE:
 AFFIX NON-CORROSIVE TAG TO FIXTURE FACING RUNWAY WITH SET SCREW, WIRE TIE, OR METAL BAND. NUMERALS SHALL BE ENGRAVED FOR PERMANENT READABILITY.



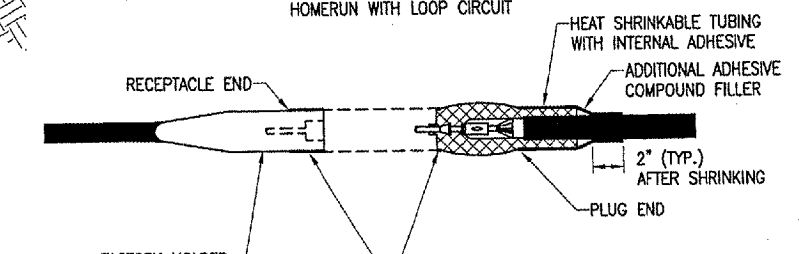
TYPE A

FOR SPLICES IN HOMERUNS FOR EXTENSIONS TO EXISTING CABLES ONLY



TYPE B

FOR SPLICES AT JUNCTION OF HOMERUN WITH LOOP CIRCUIT



TYPE C

FOR SPLICES AT RUNWAY LIGHTS

NOTES:
 SEE PROPOSED LIGHTING LAYOUT SHEET(S) FOR SPLICE TYPE.
 INSIDE DIAMETER OF CONNECTOR SHALL PROPERLY MATCH THE OUTSIDE DIAMETER OF CABLE.

CABLE SPLICES
(NOT TO SCALE)

THE LOCATION OF UNDERGROUND UTILITIES AS INDICATED ON THE PLANS HAS BEEN OBTAINED FROM EXISTING RECORDS. NEITHER THE OWNER NOR THE ENGINEER ASSUMES ANY RESPONSIBILITY WHATSOEVER, IN RESPECT TO THE ACCURACY OR SUFFICIENCY OF THE INFORMATION AND THERE IS NO GUARANTEE, EITHER EXPRESSED OR IMPLIED, THAT THE CONDITIONS ARE REPRESENTATIVE OF THOSE TO BE ENCOUNTERED IN THE CONSTRUCTION.

REVISION	BY
DATE	

DECATUR, ILLINOIS
 A.I.P. PROJ.: 3-17-0033-28
 ILL. PROJ.: DEC-3414

HEB Project No.	802-04TX0
Filename	R-541ELE.DWG
Scale	N/A
Date	03/08/05
LAYOUT	CCC 03/18/05
DRAWN	CCC 03/18/05
REVIEWED	WJM 06/07/05

HANSON
 Engineers, Architects, Scientists
 Springfield, Illinois 62703-2886
 Offices Nationwide

TAXIWAY G WIDENING
 PHASE II
 ELECTRICAL DETAILS

JUN 10, 2005 9:46 AM CCC
 I:\AIRPORTS\DECATUR\802-04TX0\REPORT SHEETS\CONTRACT-1\9-541ELE.DWG -- ELEC. DETAILS 2