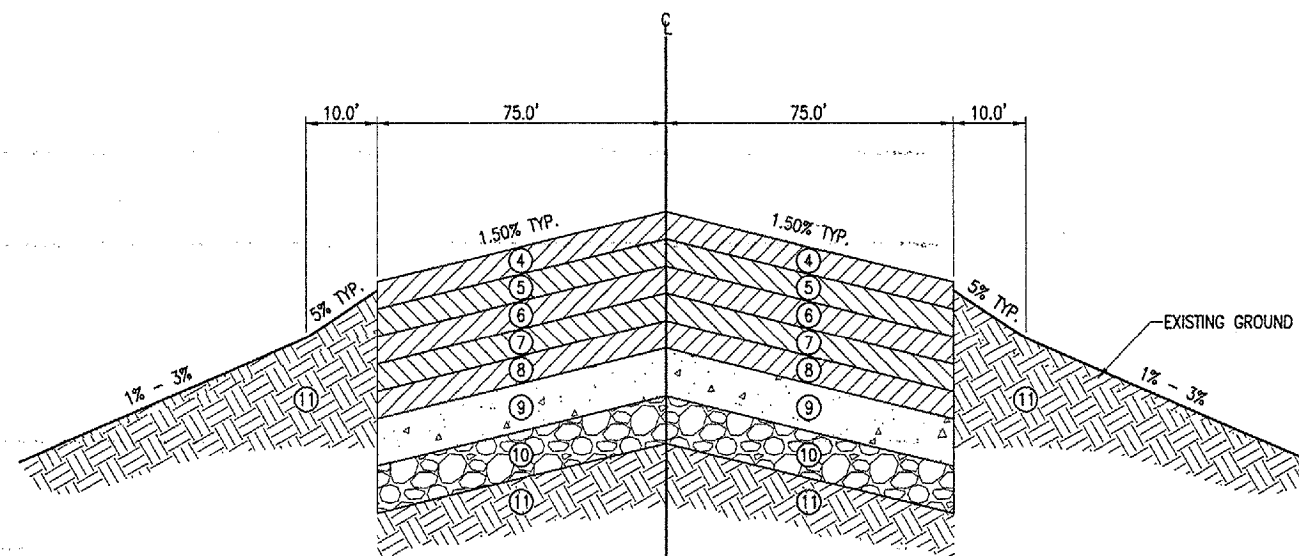


LEGEND FOR TYPICAL SECTION

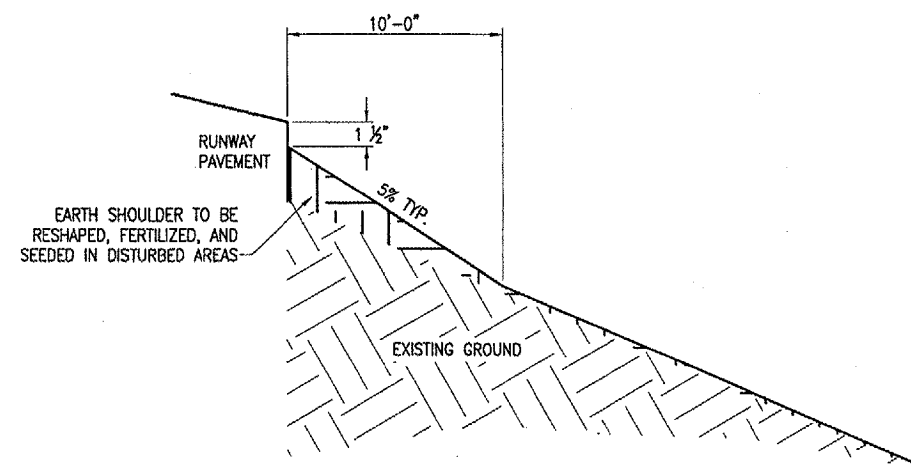
- ① PROPOSED AR401: BITUMINOUS SURFACE COURSE - 4" (2 LIFTS)
 - ② PROPOSED AR603: BITUMINOUS TACK COAT (RATE PER SPECIFICATION)
 - ③ PROPOSED AR602: BITUMINOUS PRIME COAT (RATE PER SPECIFICATION)
 - ④ EXISTING AR401: BITUMINOUS SURFACE COURSE - 4"
 - ⑤ EXISTING AR201: BITUMINOUS BASE COURSE - 2"-3"
 - ⑥ EXISTING AR401: BITUMINOUS SURFACE COURSE - 2"
 - ⑦ EXISTING AR201: BITUMINOUS BASE COURSE - 0"-10" VARIABLE DEPTH
 - ⑧ EXISTING AR401: BITUMINOUS SURFACE COURSE - 4"
 - ⑨ EXISTING AR501: PCC PAVEMENT - 9"
 - ⑩ EXISTING AR208: AGGREGATE SUBBASE COURSE - 8"
 - ⑪ EXISTING GROUND
- BITUMINOUS MILLING - VARIABLE 3" TO 5"



EXISTING RUNWAY PAVEMENT - TYPICAL SECTION

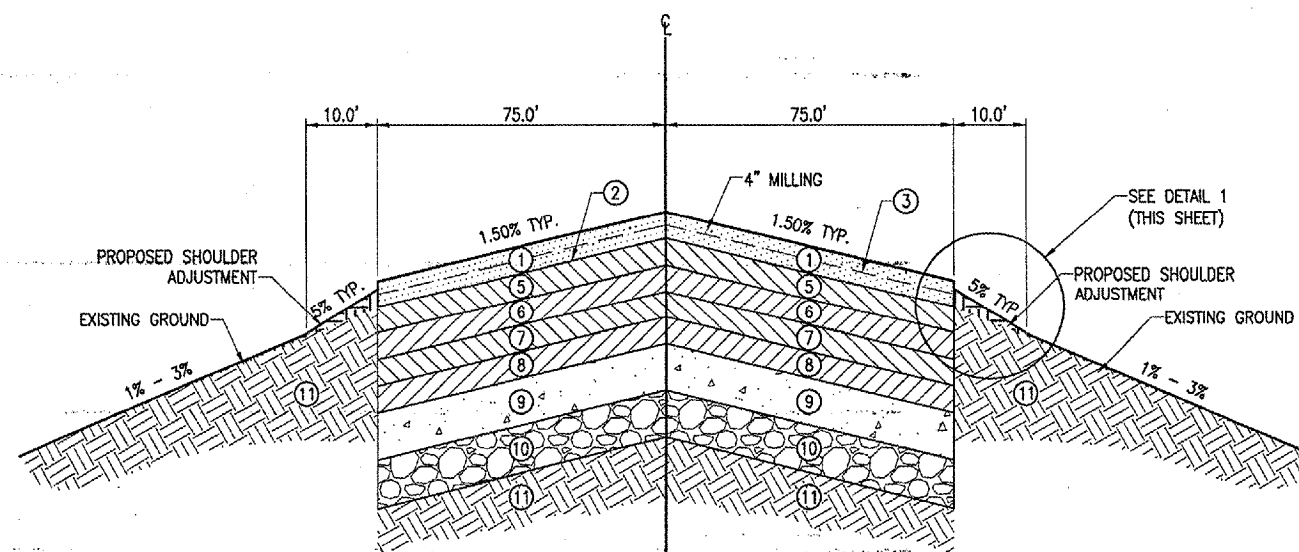
"NOT TO SCALE"

RUNWAY "6/24" STA. 375+50 TO STA. 383+56.20



DETAIL 1

EARTH SHOULDER



PROPOSED RUNWAY PAVEMENT - TYPICAL SECTION

"NOT TO SCALE"

RUNWAY "6/24" STA. 375+50 TO STA. 383+56.20

NOTE:

THE CONTRACTOR WILL REGRADE, SEED AND FERTILIZE THE DISTURBED EARTH SHOULDER. THE GRADING SHALL SHAPE THE EARTH SHOULDER TO CONFORM TO THE EARTH SHOULDER DETAIL. FERTILIZING AND SEEDING SHALL BE ACCOMPLISHED IN ACCORDANCE TO SPECIFICATION ITEM AR901510.

NO ADDITIONAL PAYMENT FOR THE GRADING AND SEEDING ITEM WILL BE MADE TO THE CONTRACTOR. PAYMENT FOR THE WORK SHALL BE INCLUDED IN THE BID AMOUNT PER TON FOR THE BITUMINOUS SURFACE COURSE.

ANY TURF AREAS DISTURBED BY THE CONTRACTOR WILL BE RESHAPED, FERTILIZED AND SEEDED ACCORDING TO THE ABOVE PARAGRAPH.

JUN 10, 2005 9:43 AM CCC
I:\AIRPORTS\DECATUR\802-041TXD\AIRPORT\SHEETS\CONTRACT-1\8-522TYP.DWG - Typ. Sections - 6-24

BY	REVISION	DATE

DECATUR AIRPORT
DECATUR, ILLINOIS

ILL. PROJ.: DEC-3414 A.I.P. PROJ.: 3-17-0033-28

H&I Project No. 802-041TXD	LAYOUT	06/07/05
Filename R-522TYP.DWG	DRAWN	
Scale N/A	REVIEWED	
Date 11/12/04		

HANSON
Engineers, Architects, Scientists
1525 South Sixth Street
Springfield, Illinois 62703-2886
Offices Nationwide

**TAXIWAY G WIDENING
PHASE II**

**RWY 6-24 RECONSTRUCTION
EXISTING & PROPOSED
TYPICAL SECTIONS**