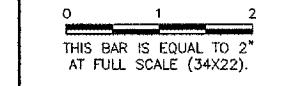


REVISIONS		
NUMBER	BY	DATE



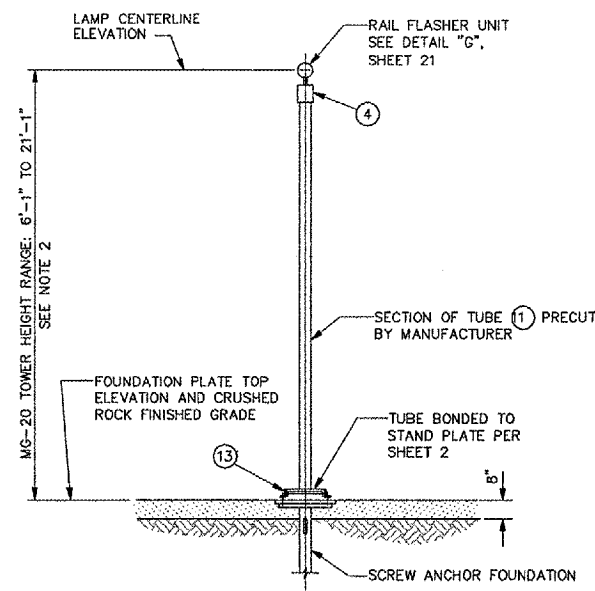
**FREEPORT - ALBERTUS AIRPORT
 FREEPORT, ILLINOIS**

ILLINOIS PROJECT: FEP-3132 / A.I.P. PROJECT: 3-17-0045-B16

**LIR STRUCTURE ASSEMBLY DETAILS
 SHEET 1**

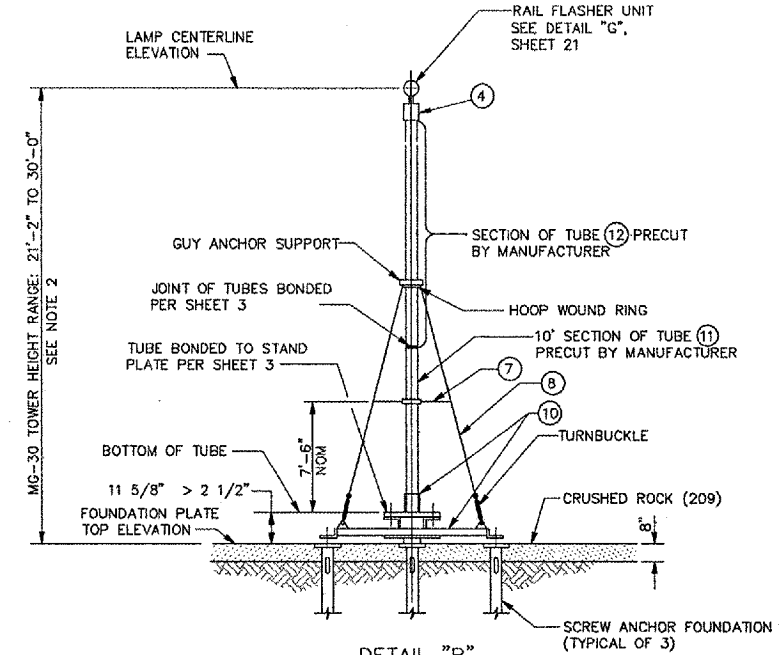
CMT
 CRAWFORD, MURPHY & TILLY, INC.
 CONSULTING ENGINEERS

DESIGN BY:	
DRAWN BY:	
CHECKED BY:	
APPROVED BY:	
DATE:	06/17/05
JOB No:	02294-08
SHEET 23 OF 34 SHEETS	

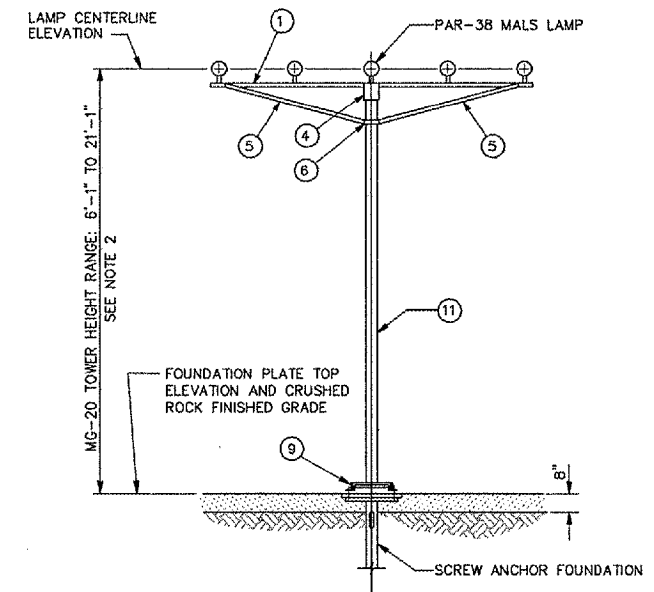


DETAIL "A"
 LIR MG-20 RAIL FLASHER TOWER
 ELEVATION

RAIL LIGHT GROUP	11 STA. 82+20
12 STA. 84+40	13 STA. 86+40
14 STA. 88+20	15 STA. 90+00



DETAIL "B"
 LIR MG-30/MG-40 RAIL FLASHER TOWER
 ELEVATION



DETAIL "D"
 LIR MG-20 T-BAR TOWER
 ELEVATION

MALS LIGHT GROUP	2 STA. 68+00
3 STA. 70+00	4 STA. 72+00
5 STA. 74+00	6 STA. 76+00
7 STA. 76+00	8 STA. 76+00
9 STA. 78+00	10 STA. 80+00

NOTES:

1. THE STANDARD STRUCTURAL PARTS OF THE TILTING LIR MG-20 AND MG-30 STRUCTURES, ARE IDENTIFIED BELOW. PARTS (4) THROUGH (12) MATCH THE ITEM NUMBERS OF PAGE 1-11 OF INSTRUCTION BOOK TI 6850.77. FOR ASSEMBLY INSTRUCTIONS, SEE SHEETS 2 AND 3.

STANDARD STRUCTURAL PART	DESCRIPTION
(1)	MALS TEE BAR ASSEMBLY
(2)	NOT USED
(3)	NOT USED
(4)	TUBE CAP ASSEMBLY
(5)	TEE BRACE ASSEMBLY
(6)	TEE BRACE CLAMP ASSEMBLY
(7)	HORIZONTAL STABILIZER FOR MG-30
(8)	STABILIZER ROD ASSEMBLY X 14' FOR MG-30
(9)	MOUNTING STAND ASSEMBLY FOR MG-20
(10)	MOUNTING FRAME ASSEMBLY FOR MG-30
(11)	FIBERGLASS TUBE "A", 20' LONG
(12)	FIBERGLASS TUBE "B", 20' LONG

2. TOWER HEIGHT FOR EACH MALS LIGHT STRUCTURE IS SHOWN ON MALS PLAN AND PROFILE DRAWING.

3. REFER TO MANUFACTURER'S INSTALLATION INSTRUCTIONS FOR FRAMING REQUIREMENTS FOR THRU-WALL HVAC UNIT. MAINTAIN 18" MIN. FROM BOTTOM OF UNIT TO FINISHED GRADE.