

LEGEND:
 CND = CONDUIT
 P/O = PART OF
 RGC = RIGID GALVANIZED STEEL CONDUIT
 AR = AS REQUIRED

TYPICAL PARTS LIST (SEE NOTE 2)			
ITEM	QTY	DESCRIPTION	WPN
1	12	BOLT, ANCHOR GALVANIZED 7/8"-9x18"	
2	60	WASHER, LOCK GALVANIZED 7/8"	
3	72	NUT, HEX GALVANIZED 7/8"-9"	
4	1	TOWER, ANTENNA 50'	
5	2	SECTION, TOWER 20' (PART OF ITEM 4)	
6	2	SECTION, TOWER 5' (PART OF ITEM 4)	
7	36	BOLT, HEX 7/8"-9x2-1/2"	
8	60'	RAIL, CARRIER	
9	5	PLATE, SPLICE	
10	20	BOLT, TAP, 5/16"-18x1"	
11	10	CLAMP, LADDER RUNG	
12	20	BOLT, TAP, 3/8"-16x3"	
13	40	NUT, HEX 3/8"-16"	
14	3	CONN, HUB (WATER-TIGHT), 1"	
19	1	36"x30"x8" JUNCTION BOX, NEMA 3R	
20	2	CPLG, CND PVC 3" PVC	
21	2	UNILET, TEE PVC 3" PVC	
22	1	UNILET, LB PVC 3" PVC	
23	6	BUSHING, ROCR PVC 3"x1"	
24	10	ADAPTER, FEMALE PVC 1"	
25	9	CONN, STRAIN RELIEF 1" HUB x 1/4"-3/8" CORD	
26	1	POWER INTERFACE JUNCTION BOX.	
27	1	CND, GALVANIZED RIGID 1"x10'L	
28	2	EL, CND GALVANIZED RIGID, 45°	
29	2	CPLG, CND GALVANIZED RIGID 1"	
30	3	CND, RGC 1"	
31	3	CONDULET, TEE RGC 1"	
32	AR	WIRE, THOMPSON #32 OR EQUAL	
33	AR	WIRE, #2 BARE COPPER	
34	13	HANGER, CND GALVANIZED 1"	
35	13	HANGER, CND GALVANIZED 1-1/2"	
36	26	HANGER, CND GALVANIZED 1/2"	
37	1	RF & CONTROL INTERFACE JUNCTION BOX 30"x30"x12" NEMA 3R	
38	26	SCREW, MACHINE 1/4"-20x1/2"	
39	26	WASHER, FLAT GALVANIZED 1/4"	
40	26	WASHER, LOCK GALVANIZED 1/4"	
41	26	NUT, HEX GALVANIZED 1/4"-20	
42	1	LIGHT, OBS	
43	2	BULB, LIGHT	035623-0000
44	2	ASSEMBLY, GROUND	
45	3	FRAME, ANTENNA MOUNTING	088476-0001
46	12	CHANNEL, MOUNTING	088476-0002
47	12	CLAMP, "U" 3" DIAMETERx3/8"-16	088476-0004
48	12	ANGLE, SUPPORT	088476-0005
49	48	WASHER, LOCK 3/8"	088476-0007
50	48	NUT, HEX 3/8"-16"	088476-0006
51	24	LOCK, CHANNEL	088476-0009
52	24	BOLT, HEX 3/8"-16x1-1/2"	088476-0008
53	3	ELEMENT, ANTENNA	447977-0001
54	3	LUG, GROUND (NOTE 5)	
55	3	CLAMP, GROUND	
56	AR	CND, RIGID 3/4" PVC	
57	2	EL, SWEEP 1" PVC	
58	10	CPLG, 1" PVC	
59	2	ROD, GROUND 3/4"x10' LONG	
60	6	TIE WRAP	094675-0001
61	3	CABLE, ASSEMBLY HTR #14-3 SJO	732569-0001
62	140	CABLE, POWER, #12 THW BLACK	
63	70	CABLE, POWER, #12 THW RED	
64	70	CABLE, POWER, #12 THW WHITE	
65	70	CABLE, POWER, #12 THW GREEN	
66	1	KIT, CABLE ANTENNA RF 1/4" HELIAX	069167-0001
67	1	CND, GALVANIZED RIGID 1"x12"L	

REVISIONS

NUMBER	BY	DATE

0 1 2
 THIS BAR IS EQUAL TO 2"
 AT FULL SCALE (34x22).

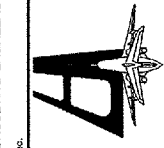
**FREEPORT - ALBERTUS AIRPORT
 FREEPORT, ILLINOIS**

ILLINOIS PROJECT: FEP-3192 / A.I.P. PROJECT: 3-17-0045-B16

**GLIDESLOPE ANTENNA TOWER
 SHEET 2**

CMT
 CRAWFORD, MURPHY & TILLY, INC.
 CONSULTING ENGINEERS

© Copyright CMT, Inc.



DESIGN BY:

DRAWN BY:

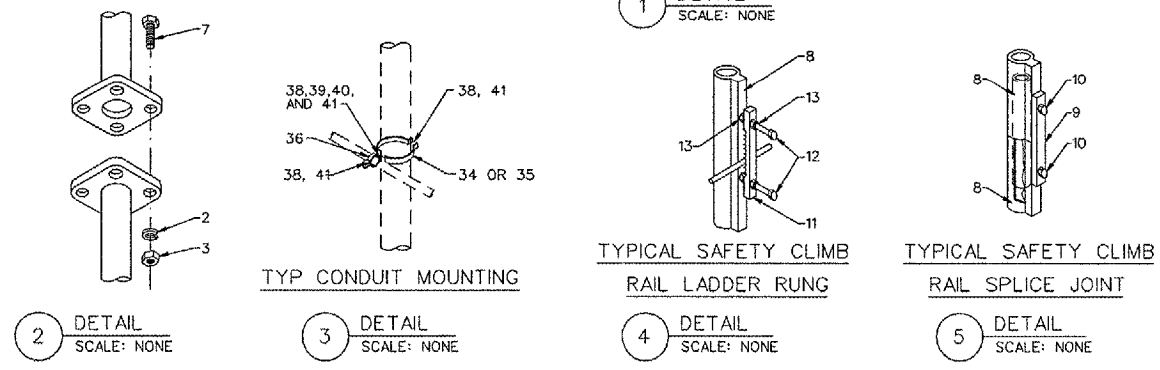
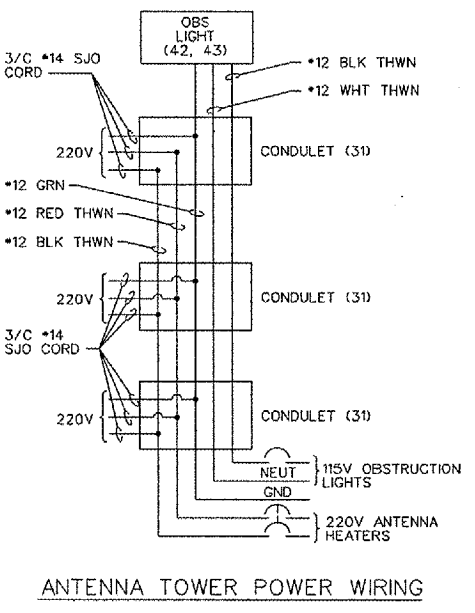
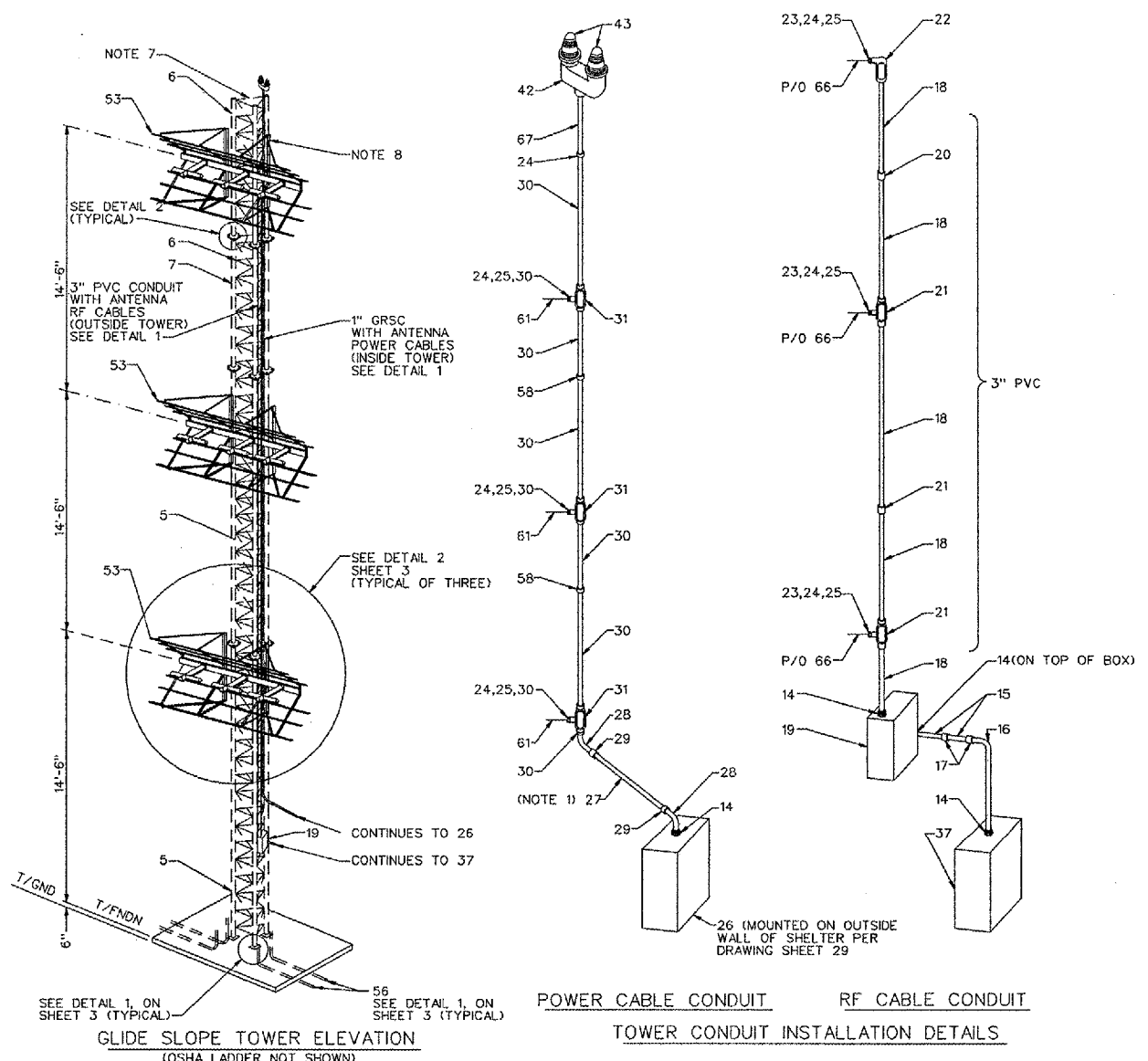
CHECKED BY:

APPROVED BY:

DATE: 06/17/05

JOB No: 02294-08

SHEET 31 OF 34 SHEETS



NOTE:

- WHERE SPECIFIC MANUFACTURERS OF EQUIPMENT ARE GIVEN, THE CONTRACTOR MAY SUBMIT ALTERNATE EQUIPMENT EQUAL TO THAT PROPOSED FOR CONSIDERATION BY THE ENGINEER.
- DUE TO VARIATIONS IN EQUIPMENT PROVIDED BY DIFFERENT MANUFACTURERS, THE TYPICAL PARTS LIST SHOWN MAY NOT BE COMPLETE. THE CONTRACTOR SHALL COORDINATE WITH THE MANUFACTURER FOR A COMPLETE PARTS LIST.