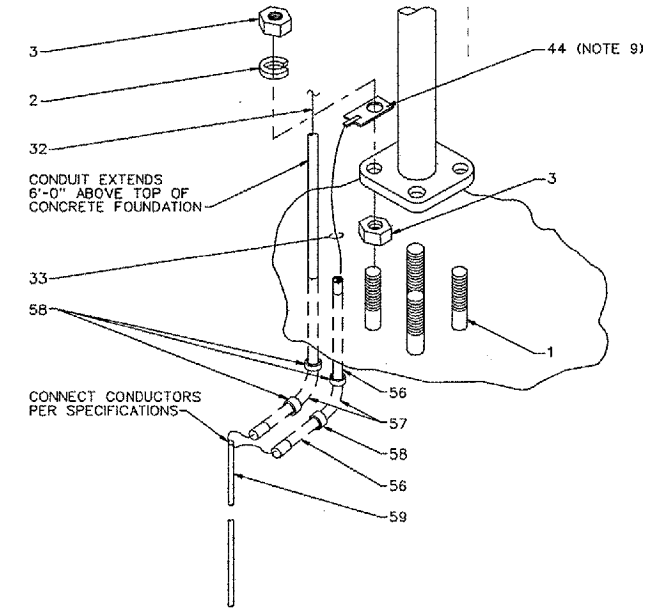
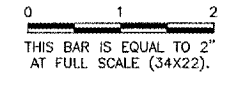
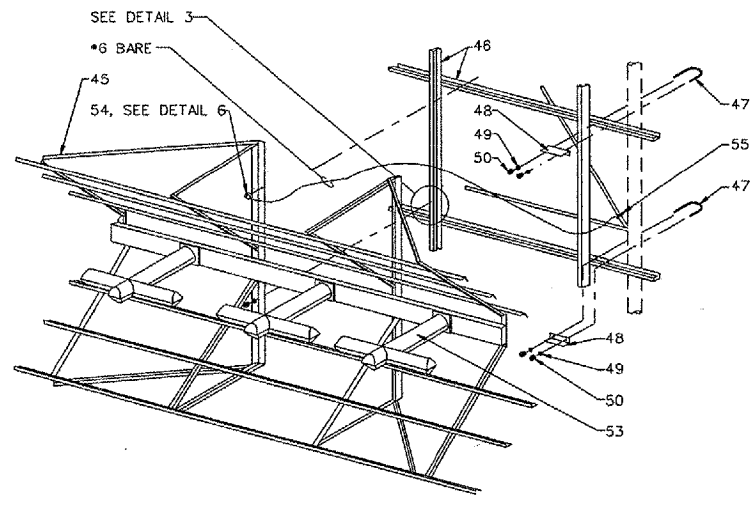


FR-036
 K:\Freeport\0229408\Draw\Sheets\
 FILE: 12--faadetails.dwg
 LAYOUT: Model
 UPDATE BY: clouden
 SURVEY BOOK #
 DATE: Fri 7/8/05 5:39pm
 XREF DWG: clintinfo.dwg
 tb.dwg

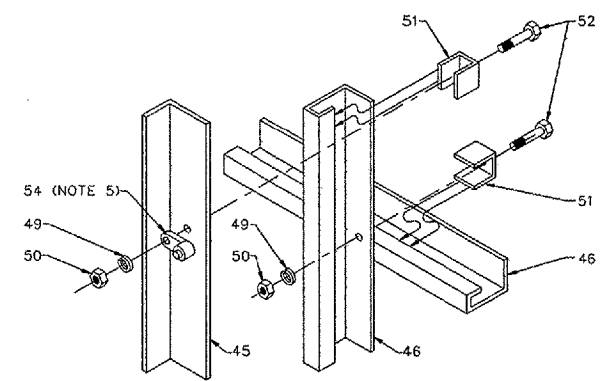
REVISIONS		
NUMBER	BY	DATE



1 DETAIL
SCALE: NONE



2 DETAIL
SCALE: NONE



3 DETAIL
SCALE: NONE

**FREEPORT - ALBERTUS AIRPORT
 FREEPORT, ILLINOIS**

ILLINOIS PROJECT: FEP-3132 / A.I.P. PROJECT: 3-17-0045-B16

**GLIDESLOPE ANTENNA TOWER
 SHEET 3**

DESIGN BY:
 DRAWN BY:
 CHECKED BY:
 APPROVED BY:
 DATE: 06/17/05
 JOB No: 02294-08