

REVISIONS

NUMBER	BY	DATE

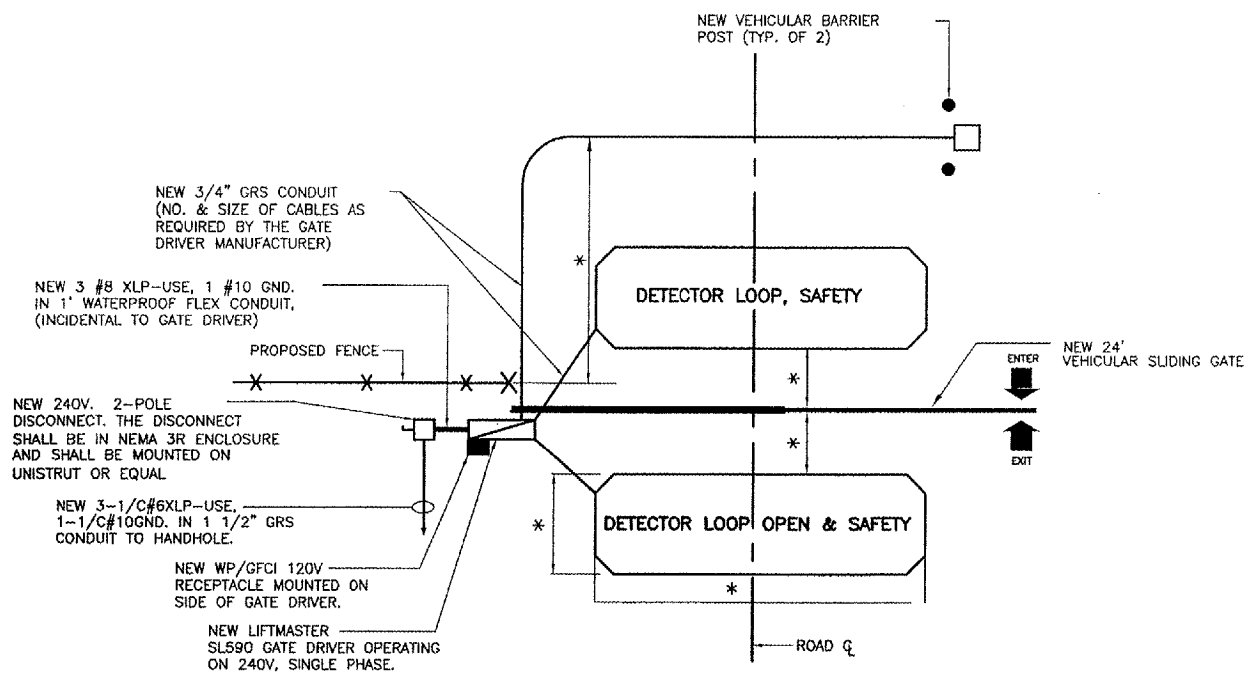
0 1 2
 THIS BAR IS EQUAL TO 2" AT FULL SCALE (34X22).

LANSING MUNICIPAL AIRPORT
 LANSING, ILLINOIS
 NORTH QUADRANT SITEWORK - PHASE 1
 AND TAXIWAY G2 EXTENSION
 ELECTRIC GATE DETAILS

© Copyright GMT, Inc.
GMT
 CRAWFORD, MURPHY & TILLY, INC.
 CONSULTING ENGINEERS
 License No. 184-000618

DESIGN BY:	ARM
DRAWN BY:	JRO
CHECKED BY:	ARM
APPROVED BY:	
DATE:	03/04/05
JOB No:	03297-02

IL PROJECT: IGQ-3329
 A.I.P. PROJECT: 3-17-0121-B21



NEW KEY PAD OPERATED GATE AND DETECTOR LOOP LAYOUT

NOT TO SCALE

* PER MANUFACTURERS RECOMMENDATION CONTRACTOR SHALL COORDINATE THIS WORK WITH ENGINEER.

NOTES:

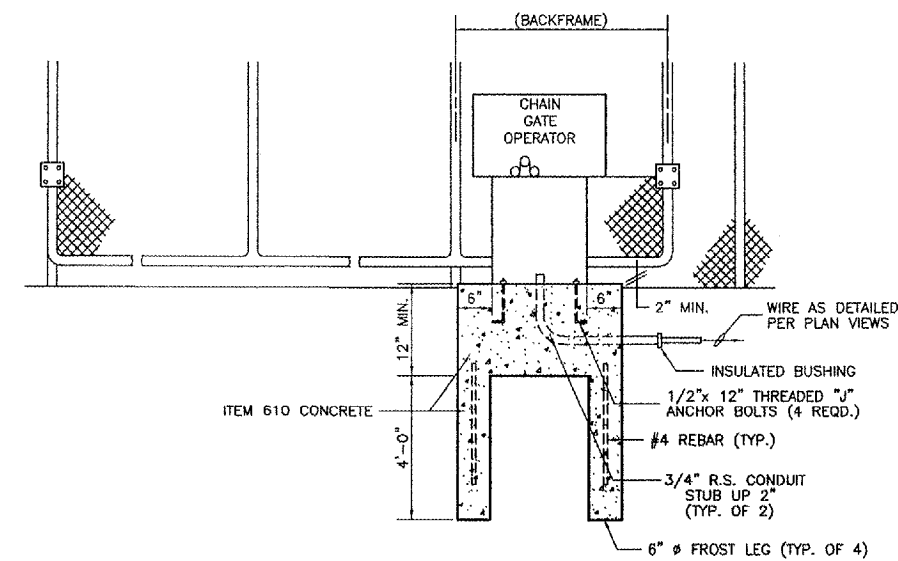
1. THE LOCATION OF THE NEW GATE DRIVER, DISCONNECT AND DETECTOR LOOPS ARE FOR INFORMATION ONLY AND SHALL BE FIELD ADJUSTED PER THE MANUFACTURER RECOMMENDATION.
2. THE MINIMUM BURIAL DEPTH FOR GRS CONDUIT IS 30" BELOW FINISHED GRADE.
3. NO DIRECT BURIED CABLE WILL BE ALLOWED IN THE INSTALLATION OF THE NEW GATE DRIVER.

GATE TYPE	GATE
A	DISTANCE BETWEEN GATE POSTS (INSIDE FACE TO INSIDE FACE) 24'-0"
B	DISTANCE BETWEEN HANGER POSTS (CENTER TO CENTER) 10'-0"*
C	OVERALL GATE LENGTH 34'-6"*
D	OVERALL GATE HEIGHT 6'-0"
E	HEIGHT OF FABRIC IN GATE 5'-0"
F	COUNTER BALANCE LENGTH 10'-6"
G	HEIGHT OF 4" POSTS ABOVE GRADE 6'-6"*

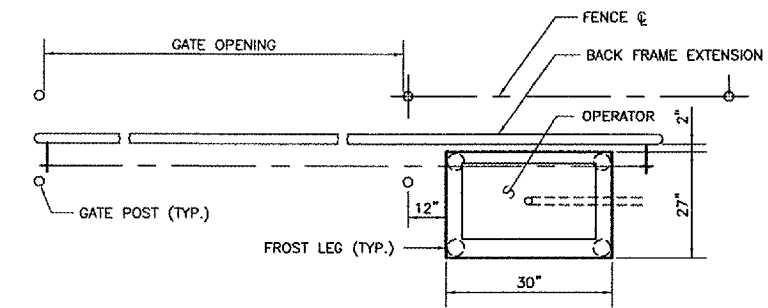
* OR AS RECOMMENDED BY MFG.

NOTES:

1. CANTILEVERED GATE SHALL BE SUFFICIENTLY RIGID TO WITHSTAND FLEXING OR BENDING DURING WINDY CONDITIONS. CONTRACTOR SHALL PROVIDE STIFFENERS, STRUCTURAL SHAPES IN EXCESS OF THE MINIMUM SPECIFIED DIMENSIONS OR ADDITIONAL ROLLERS AND POSTS SUFFICIENT TO PREVENT DISPLACEMENT OF THE GATE BY WIND OR BY UNAUTHORIZED PERSONNEL.
2. CONTRACTOR SHALL INSTALL GATE AS A COMPLETE WORKING UNIT. THE GATE WORK SHALL INCLUDE, BUT NOT BE LIMITED TO THE GATE, CHAIN GATE OPERATOR AND FOUNDATION, AND POWER CABLES CONDUIT, TRENCHING, CIRCUIT BREAKERS AND ALL CONNECTIONS, LABOR AND MATERIALS NECESSARY TO COMPLETE OPERATION.
3. LOCATION OF THE GATE OPERATOR SHALL BE AS RECOMMENDED BY THE MANUFACTURER.
4. THE FABRIC TYPE AND FINISH OF THE GATE SHALL MATCH WITH THE NEW FENCE OR AS DIRECTED BY THE ENGINEER.
5. ALL NEW SLIDING VEHICULAR GATES SHALL HAVE ENCLOSED TRUCK ASSEMBLIES, SAFE-GLIDE BY EDKO OR EQUAL.



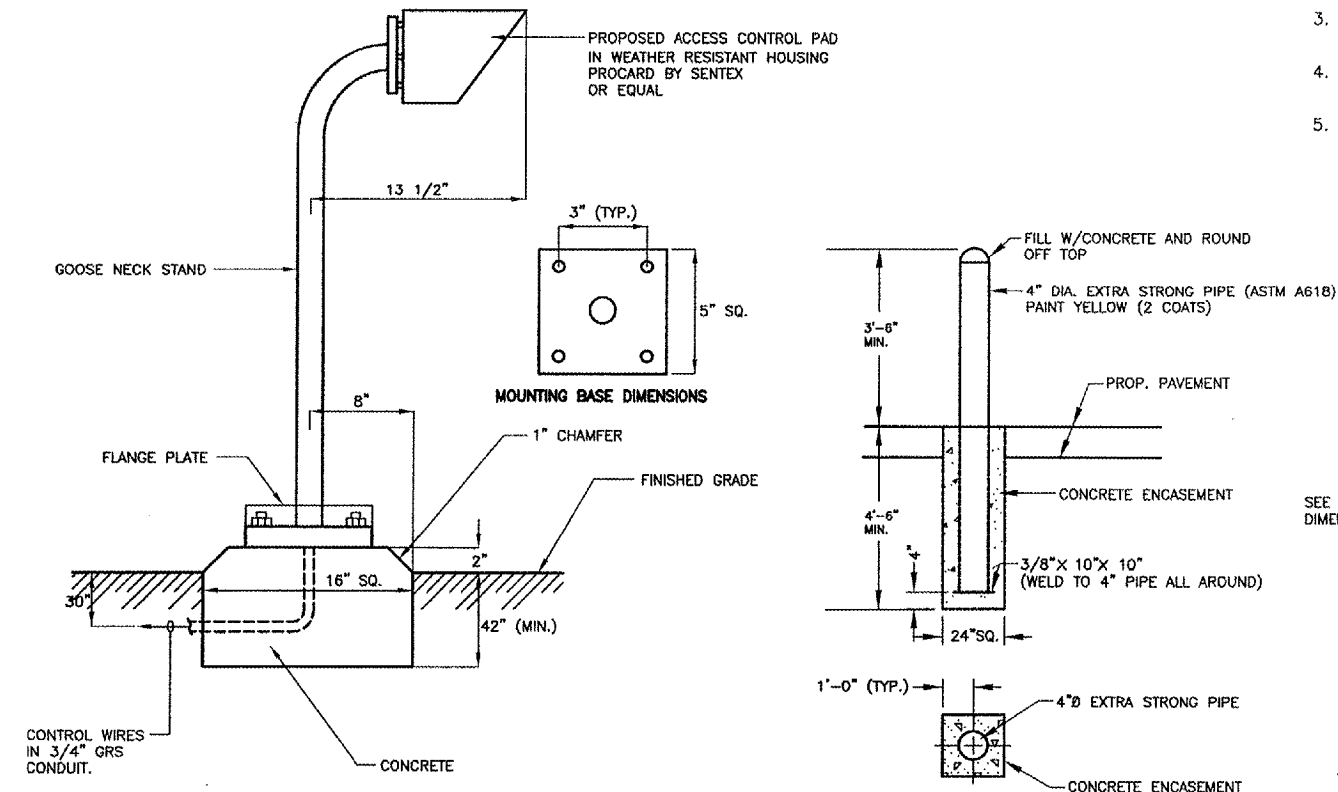
SECTION



PLAN

GATE OPERATOR DETAIL

NOT TO SCALE



ACCESS CONTROL PAD MOUNTING DETAIL

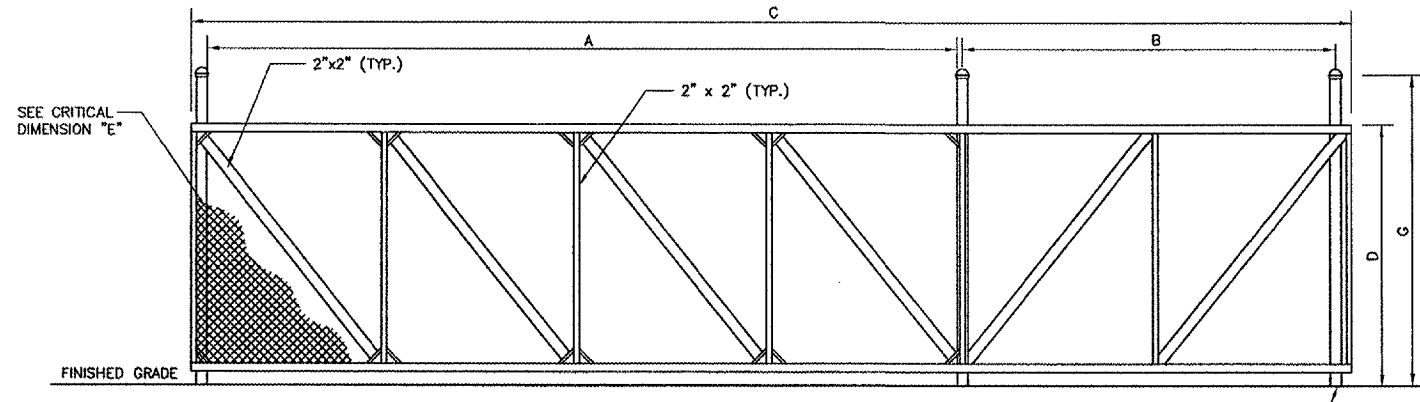
NOT TO SCALE

VEHICULAR BARRIER DETAIL

NOT TO SCALE

NOTES:

1. THE VEHICULAR BARRIERS WILL NOT BE MEASURED SEPARATELY FOR PAYMENT BUT SHALL BE CONSIDERED INCIDENTAL TO ELECTRIC GATE.
2. LOCATION OF UNDERGROUND ELECTRICAL ITEMS SHALL BE COORDINATED WITH VEHICULAR BARRIERS TO AVOID ANY CONFLICTS.
3. CONTRACTORS SHALL INSTALL TWO VEHICULAR BARRIERS ADJACENT TO THE GATE OPERATOR AND TWO VEHICULAR BARRIERS ADJACENT TO ACCESS CONTROL PAD.



ELEVATION

CANTILEVER SLIDE GATE

NOT TO SCALE

LOCATIONS, DETAILS AND CHARACTER OF EQUIPMENT SHOWN ON THIS SHEET ARE GENERIC. EQUIPMENT LOCATIONS SHALL BE AS RECOMMENDED BY THE EQUIPMENT MANUFACTURER.