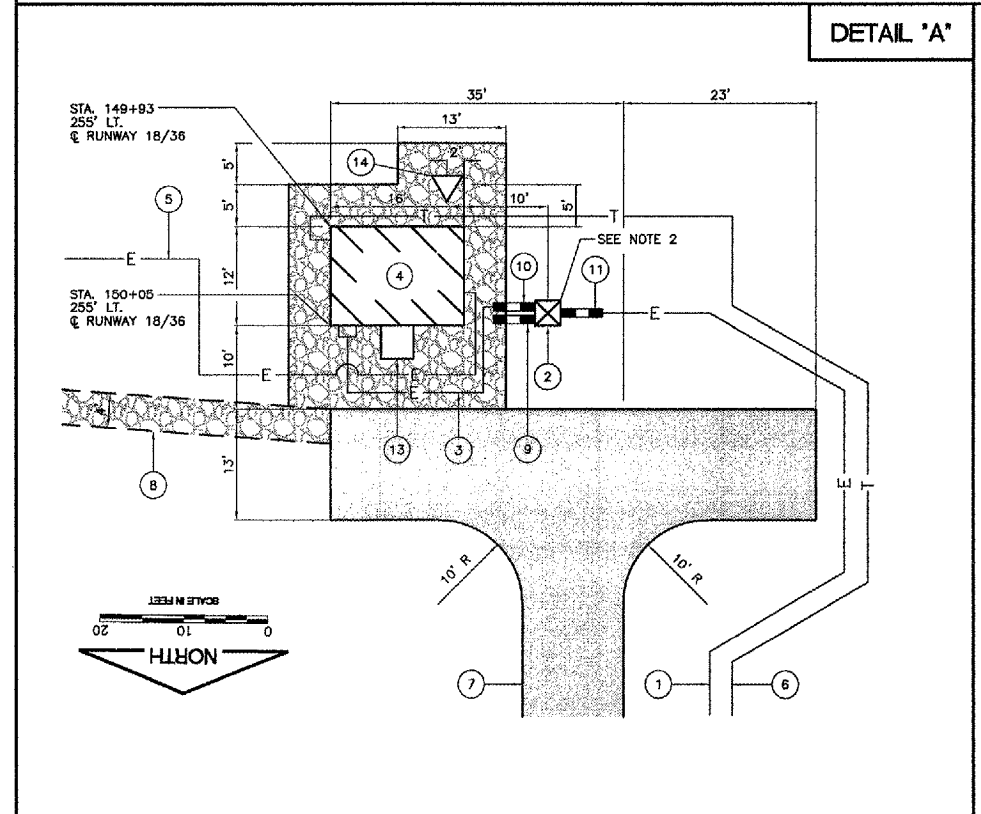
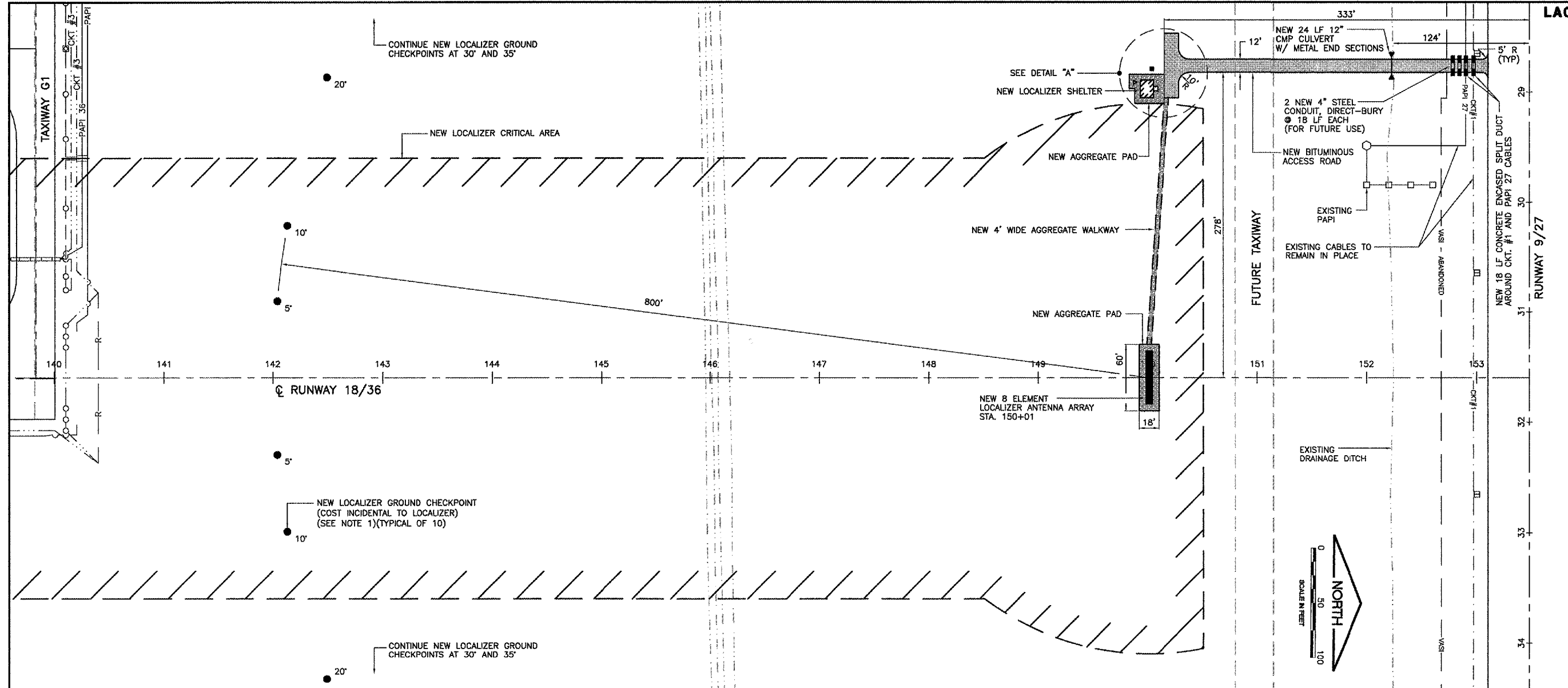
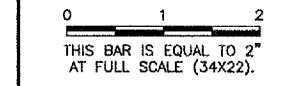


REVISIONS		
NUMBER	BY	DATE



NOTES

- LOCALIZER GROUND CHECKPOINTS ARE SHOWN IN 800' RADIUS FROM CENTER POINT OF THE ANTENNA ARRAY. THE EXACT DISTANCE SHALL BE AS RECOMMENDED BY THE ILS MANUFACTURER.
- CONTRACTOR SHALL INSTALL CONCRETE PAD, CONDUITS AND GROUNDING ELECTRODES FOR THE TRANSFORMER PER UTILITY COMPANY REQUIREMENTS. COST INCIDENTAL TO EQUIPMENT SHELTER.
- WHERE SPECIFIC MANUFACTURERS OF EQUIPMENT ARE GIVEN, THE CONTRACTOR MAY SUBMIT ALTERNATE EQUIPMENT EQUAL TO THAT PROPOSED FOR CONSIDERATION BY THE ENGINEER.
- TO ENSURE CONFORMANCE TO SPECIFICATIONS, AN FAA REPRESENTATIVE MAY VISIT THE SITE AT ANY TIME.

NUMBERED LEGEND

- COMED UNDERGROUND PRIMARY CABLE (BY OTHERS).
- COMED 25KVA PAD-MOUNTED TRANSFORMER, PRIMARY TO 120/240V, SINGLE PHASE (BY OTHERS) SEE NOTE 1.
- 3-1/2" TYPE U.S.E. POWER CABLES FROM UTILITY TRANSFORMER TO UTILITY METER.
- 12'x18' LOCALIZER EQUIPMENT SHELTER (SEE SHEET 12).
- LOCALIZER CABLES TO LOCALIZER ANTENNA FOUNDATION. (5-1/2 HELIAX CABLES, 1-12 PR#19 CONTROL, 3-1/2" TYPE U.S.E. POWER, 1#2 BARE COPPER WIRE AND 1#1/0 BARE COUNTERPOISE CABLE.)
- TELEPHONE CABLES TO BE FURNISHED AND INSTALLED BY SERVING TELEPHONE COMPANY (SBC). CONTRACTOR SHALL COORDINATE SUCH INSTALLATION WITH SBC PRIOR TO CABLE INSTALLATION.
- NEW BITUMINOUS ACCESS ROAD/TURNAROUND AREA.
- 4' WIDE CRUSHED STONE WALKWAY TO LOCALIZER ANTENNA (6" THICK).
- 4" GRS CONDUIT (SPARE), EXTENDED AND CAPPED MIN. 5' AWAY FROM TRANSFORMER PAD.
- 4" GRS CONDUIT FOR ITEM 3 EXTENDED MIN. 5' AWAY FROM TRANSFORMER PAD.
- 4" GRS CONDUIT EXTENDED MIN. 5' AWAY FROM TRANSFORMER PAD FOR ITEM 1.
- UTILITY METER AND METER BASE. METER TO BE SUPPLIED BY UTILITY COMPANY AND BASE TO BE FURNISHED & INSTALLED BY CONTRACTOR PER UTILITY REQUIREMENTS.
- 4'x4'x6" CONCRETE PAD.
- NEW DME ANTENNA.

**LANSING MUNICIPAL AIRPORT
 LANSING, ILLINOIS
 INSTALL RUNWAY 36 LOCALIZER
 LOCALIZER/DME SITE DETAIL**

© Copyright CMT, Inc.
CMT
 CRAWFORD, MURPHY & TILLY, INC.
 CONSULTING ENGINEERS
 License No. 184-000619

DESIGN BY:	MJS
DRAWN BY:	JRO
CHECKED BY:	CAL
APPROVED BY:	
DATE:	06/22/05
JOB No:	04297-03
IL PROJECT: IGQ-3482 A.I.P. PROJECT: 3-17-0121-B23	
SHEET 7 OF 18 SHEETS	