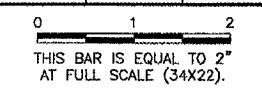


REVISIONS		
NUMBER	BY	DATE



**LANSING MUNICIPAL AIRPORT  
 LANSING, ILLINOIS**

**INSTALL RUNWAY 36 LOCALIZER**

**GRADING PLAN/  
 TYPICAL SECTIONS**

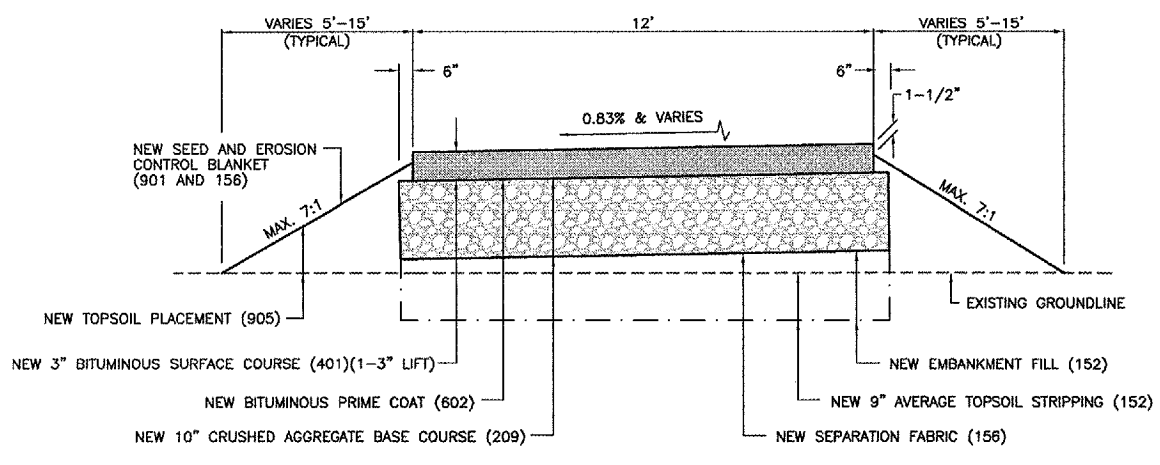
© Copyright CMT, Inc.

**CMT**  
 CRAWFORD, MURPHY & TILLY, INC.  
 CONSULTING ENGINEERS  
 License No. 184-000613

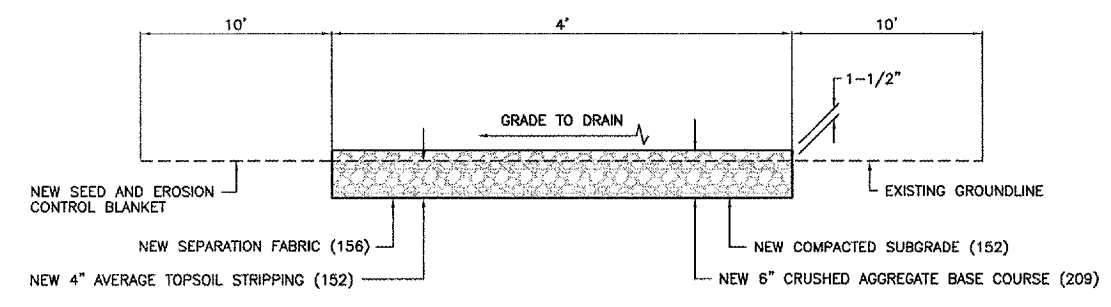
Lansing Municipal  
**airport**

DESIGN BY:	CAL
DRAWN BY:	JRO
CHECKED BY:	CAL
APPROVED BY:	
DATE:	06/22/05
JOB No:	04297-03
IL PROJECT:	IGQ-3482
A.I.P. PROJECT:	3-17-0121-823

SHEET 8 OF 18 SHEETS



**BITUMINOUS ACCESS ROAD - TYPICAL SECTION**  
 N.T.S.



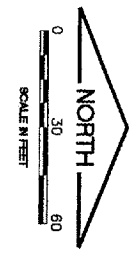
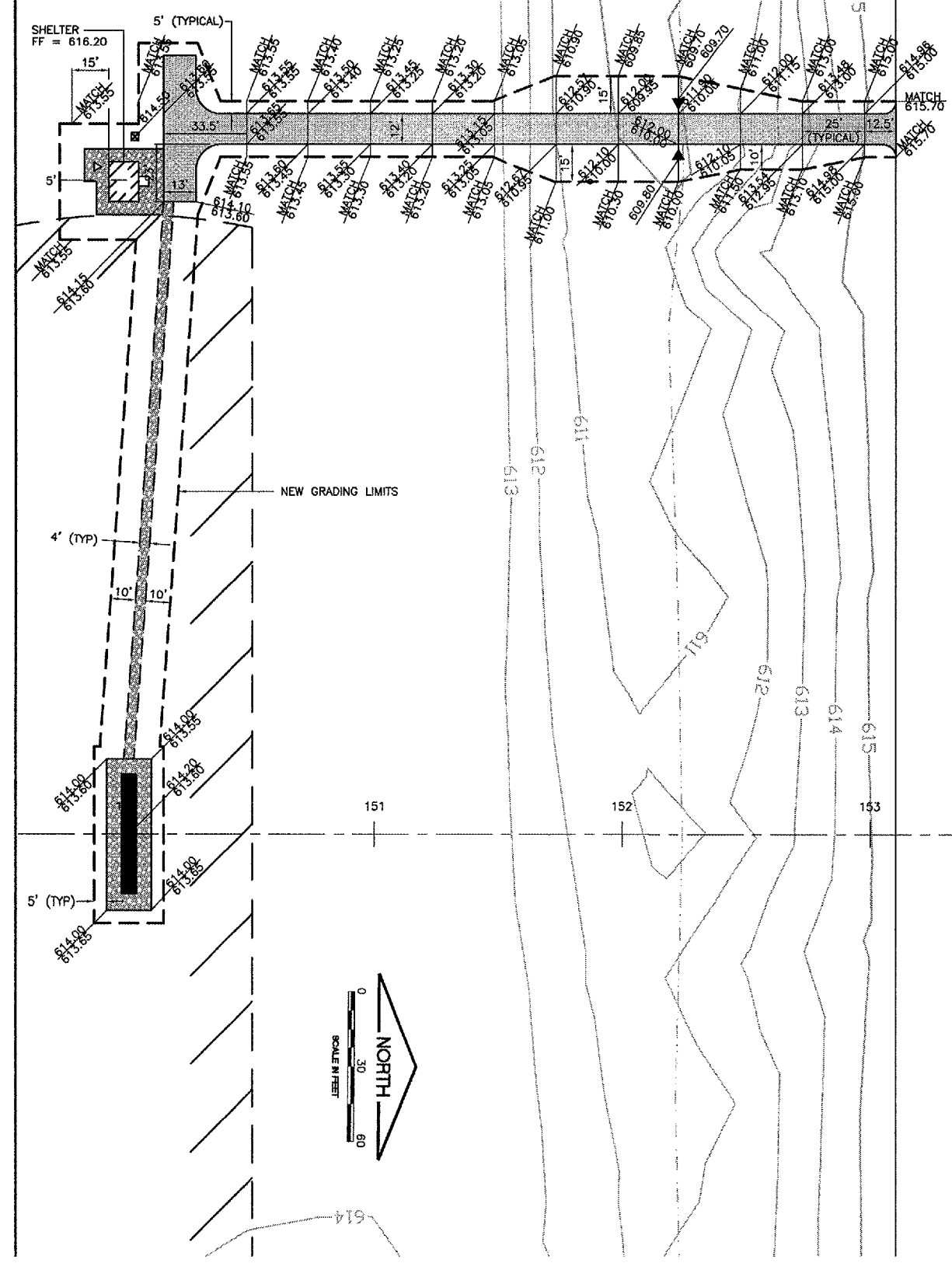
**AGGREGATE WALKWAY - TYPICAL SECTION**  
 N.T.S.

**NOTES**

1. THE APPROXIMATE LOCATION OF THE NEW BORROW SITE/EXCESS MATERIAL STOCKPILE IS SHOWN ON SHEET 3. THE CONTRACTOR SHALL COORDINATE EXACT LOCATIONS WITH THE RESIDENT ENGINEER AND AIRPORT.
2. UNCLASSIFIED EXCAVATION IS THE SUM OF TOPSOIL STRIPPING AND UNCLASSIFIED EXCAVATION AND IS TO BE PAID FOR UNDER AR152410 IN ITS INITIAL POSITION.
3. TOPSOIL PLACEMENT AND EMBANKMENT FILL ARE INCIDENTAL TO UNCLASSIFIED EXCAVATION/ON-SITE BORROW. NO SEPARATE PAYMENT WILL BE MADE FOR TOPSOIL PLACEMENT OR EMBANKMENT FILL.

**LEGEND**

- NEW END SECTION
- NEW LOCALIZER SHELTER
- NEW BITUMINOUS PAVEMENT
- NEW AGGREGATE PAD/WALKWAY
- NEW ELEVATION (613.60)  
PROPOSED ELEVATION (613.45)
- NEW GRADING LIMITS
- EXISTING CONTOUR



RUNWAY 9/27