

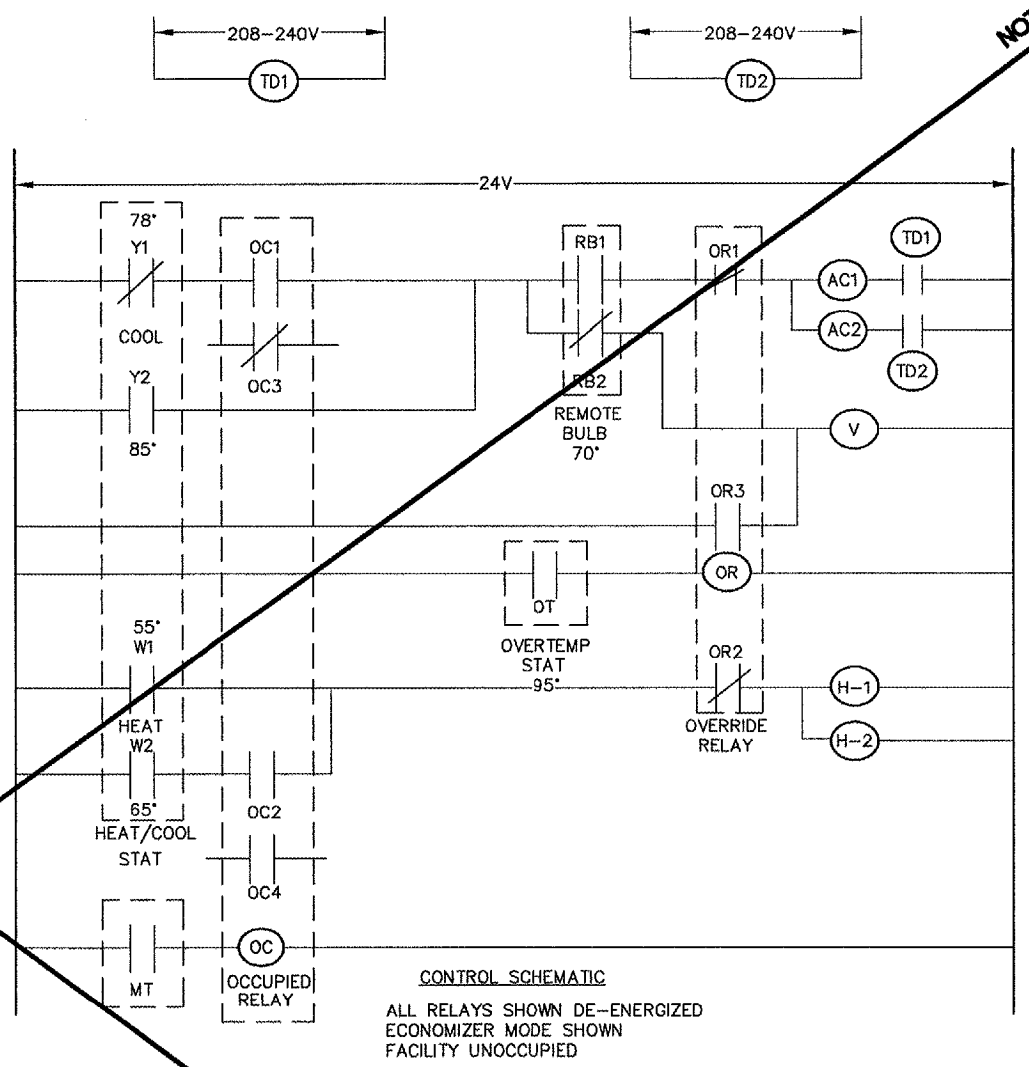
NOT IN CONTRACT

LEGEND

- | | | | |
|-------|-------|--|----------------------|
| (AC2) | (AC1) | AIR CONDITIONER CONTACTOR COIL | } WITH 240V CONTACTS |
| (V) | (V) | VENT FAN CONTACTOR COIL | |
| (H2) | (H1) | HEATER CONTACTOR COIL | } |
| (OR) | (OR) | OVERRIDE RELAY COIL | |
| (OC) | (OC) | OCCUPIED RELAY COIL | } |
| (TD1) | (TD1) | A/C UNIT NO. 1 TIME DELAY COIL | |
| (TD2) | (TD2) | A/C UNIT NO. 2 TIME DELAY COIL | } |
| Y1 | Y1 | COOLING SENSOR (OCCUPIED) (A/C OR ECONOMIZER) HEAT/COOL STAT | |
| | | COOLING SENSOR (UNOCCUPIED) (ECONOMIZER ONLY) HEAT/COOL STAT | } |
| Y2 | Y2 | COOLING SENSOR (UNOCCUPIED) (A/C ONLY) HEAT/COOL STAT | |
| W1 | W1 | HEATING SENSOR (UNOCCUPIED) HEAT/COOL STAT | } |
| W2 | W2 | HEATING SENSOR (OCCUPIED) HEAT/COOL STAT | |
| MT | MT | 60 MIN. MANUAL TIMER CONTACT | } |
| RB1 | RB1 | AIR CONDITIONING CONTACT/REMOTE BULB STAT | |
| RB2 | RB2 | ECONOMIZER CONTACT/REMOTE BULB STAT | } |
| OT | OT | OVERTEMPERATURE STAT CONTACT | |
| OR1 | OR1 | AIR CONDITIONING OVERRIDE RELAY CONTACT | } OVERRIDE RELAY |
| OR2 | OR2 | HEATING OVERRIDE CONTACT | |
| OR3 | OR3 | VENT FAN CONTACT | } |
| OC1 | OC1 | OCCUPIED COOLING CONTACT | |
| OC2 | OC2 | OCCUPIED HEATING CONTACT | } OCCUPIED RELAY |
| OC3 | OC3 | - | |
| OC4 | OC4 | - | } |
| TD1 | TD1 | TIME DELAY RELAY CONTACT | |
| TD2 | TD2 | TIME DELAY RELAY CONTACT | |

PARTS LIST

- HEAT/COOL ACCUSTAT-PSG INDUSTRIES LMS-AH22 WITH 55', 65', 78', AND 85' SENSORS
- REMOTE BULB STAT-HONEYWELL MODEL T675A-1565 (0' - 100')
- OVERTEMPSTAT-HONEYWELL MODEL T631C1020 (70' - 140')
- OVERRIDE AND OCCUPIED RELAYS- RELAY IDEC RY4S-U24VAC SOCKET IDEC SY4S-05
- A/C, HEATER AND VENT FAN CONTACTORS HONEYWELL PART NO. R8243B1005
- TRANSFORMER, DONGAN PART NO. 33-100K(120/24)V 100VA
- TIME DELAY RELAY-SCANTIMER MODEL A208220 (15 - 600 SEC.)
- MANUAL 60 MIN. TIMER DAYTON PART NO. 6X546A
-
- OIL TIGHT JIC BOX-HOFFMAN PART NO. A-1614CH WITH PANEL PART NO. A-16P14
- TERMINAL BLOCK, DIRECT MOUNT, SQUARE D, TYPE GK-6 CLASS 9080, SOLDERLESS BOX LUG SCREW TYPE
- FUSE HOLDER-BUSSMANN PART NO. H J M - H H



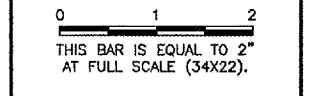
CONTROL CENTER SCHEMATIC

SEQUENCE OF OPERATION

(UNOCCUPIED):
AIR CONDITIONER: AIR CONDITIONER WILL CYCLE ON DEMAND OF Y2 COOL SENSOR OF HEAT/COOL STAT WHEN OUTSIDE TEMPERATURE IS ABOVE REMOTE BULB SETTING.
VENT FAN (ECONOMIZE MODE): VENT FAN WILL CYCLE ON DEMAND OF Y1 COOL SENSOR OF HEAT/COOL STAT WHEN OUTSIDE TEMPERATURE IS BELOW REMOTE BULB SETTING. AIR CONDITIONERS AND HEATER ARE DE-ENERGIZED.
HEATER: HEATER WILL CYCLE ON DEMAND OF W1 HEAT SENSOR OF HEAT/COOL STAT. AIR CONDITIONERS AND VENT FAN ARE DE-ENERGIZED.
(OCCUPIED-TIMER ENGAGED):
AIR CONDITIONER OR VENT FAN (ECONOMIZER): WILL CYCLE ON DEMAND OF Y1 AS IN UNOCCUPIED.
HEATER : WILL CYCLE ON DEMAND OF W2 AS DESCRIBED IN (UNOCCUPIED).
OVERTEMPERATURE: WHEN INSIDE TEMPERATURE RISES ABOVE THE OVERTEMP STAT SETTING, VENT FAN SHALL CYCLE OUT UNTIL OVERTEMP IS SATISFIED. OVERRIDE RELAY SHALL LOCK OUT HEATERS AND AIR CONDITIONERS.

REVISIONS

NUMBER	BY	DATE



**LANSING MUNICIPAL AIRPORT
 LANSING, ILLINOIS**

INSTALL RUNWAY 36 LOCALIZER

ENVIRONMENTAL CONTROL SYSTEM DETAIL

© Copyright CMT, Inc.
CMT
 CRAWFORD, MURPHY & TILLY, INC.
 CONSULTING ENGINEERS
 License No. 184-00083

DESIGN BY:	AB
DRAWN BY:	JRO
CHECKED BY:	AB
APPROVED BY:	
DATE:	06/22/05
JOB No:	04297-03
IL PROJECT: IGQ-3482 A.I.P. PROJECT: 3-17-0121-B23	
SHEET 17 OF 18 SHEETS	