

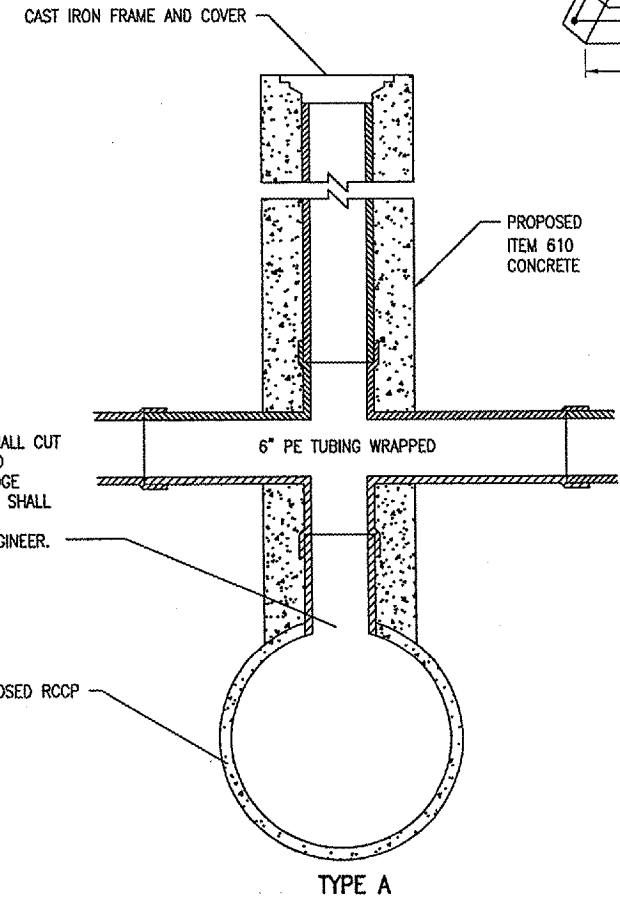
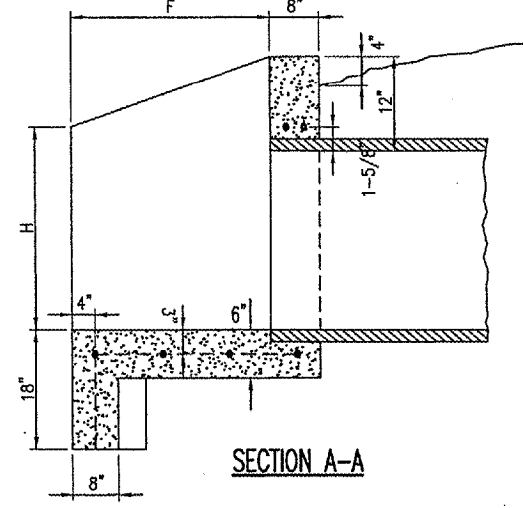
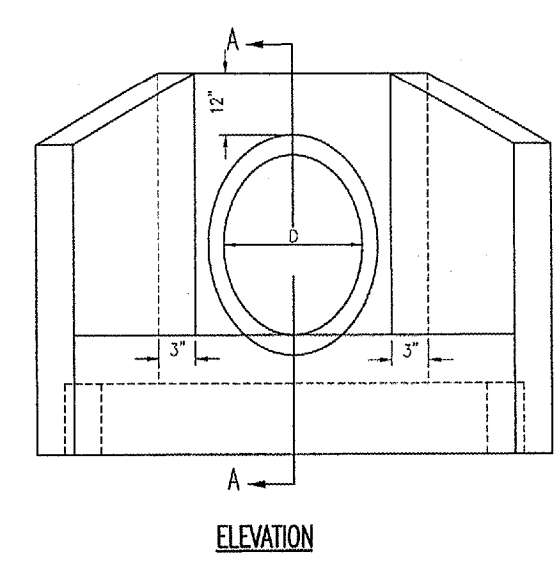
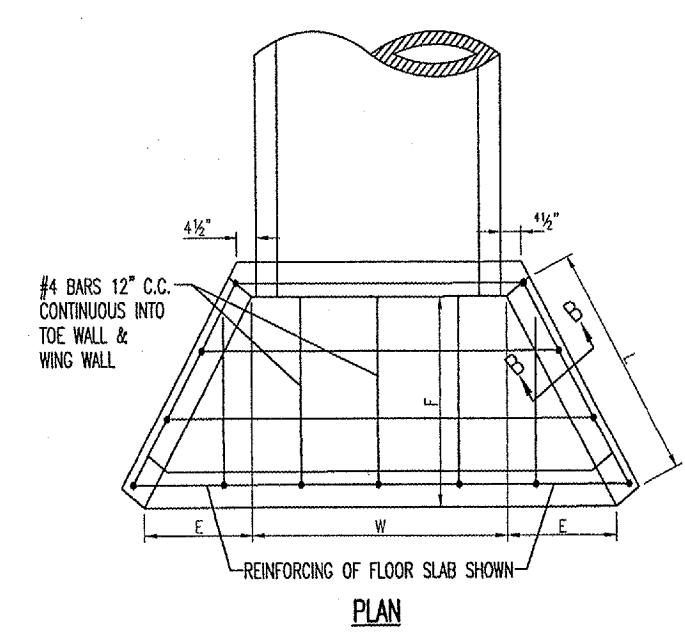
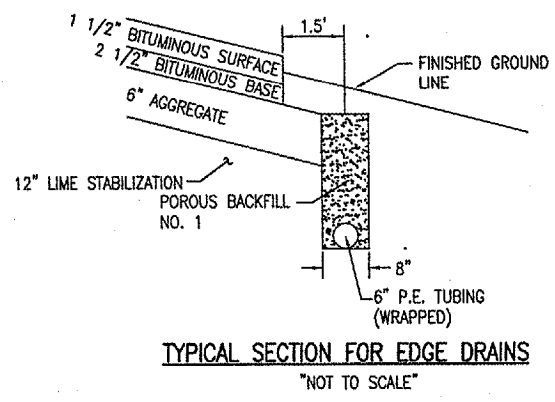
DATE	REVISION

MT. STERLING MUNICIPAL AIRPORT
 MT. STERLING, ILLINOIS
 A.I.P. PROJ.: 3-17-0417-B6
 I.L. PROJ.: 163-3431

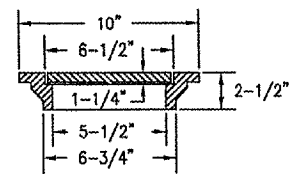
HEI Project No. B18-05TXX	Scale	Date
Elliptical R-131-DRN.dgn	07/14/2005, 08:21 AM	07/14/05
LAYOUT	JEO	03/14/05
DRAWN	JEO	03/21/05
REVIEWED	CAH	05/17/05

Hanson Professional Services Inc.
 7625 South Sixth Street
 Springfield, Illinois 62703-2886
 Chicago Nationwide

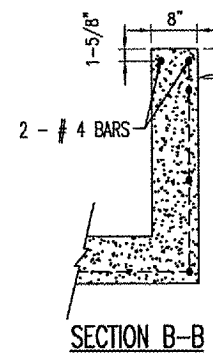
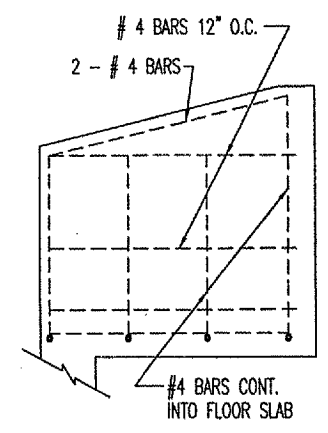
PROPOSED DRAINAGE DETAILS
 PARALLEL TAXIWAY TAXIWAY "B"



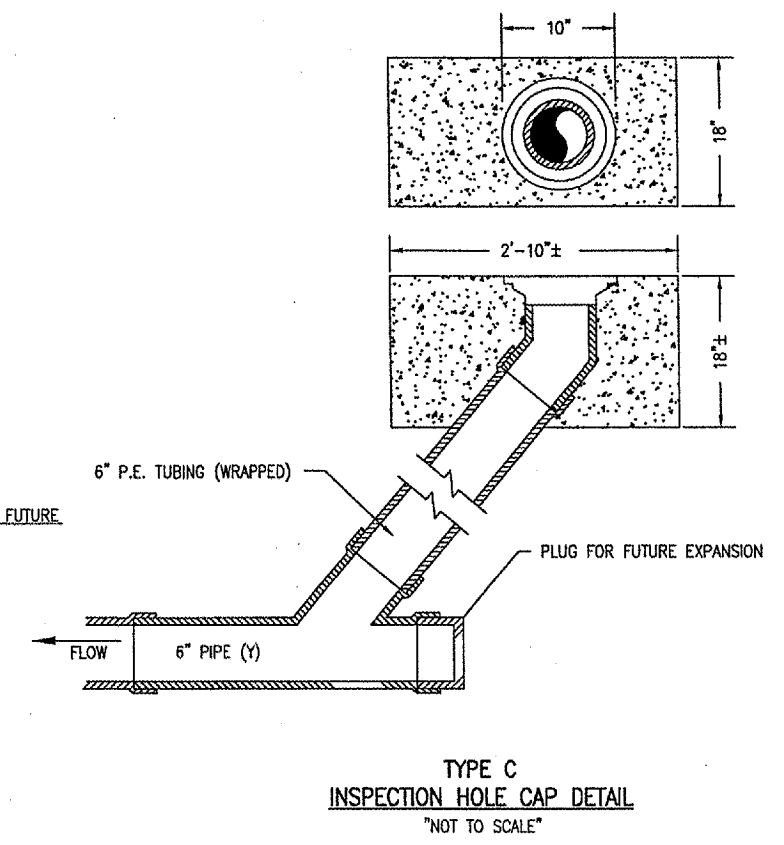
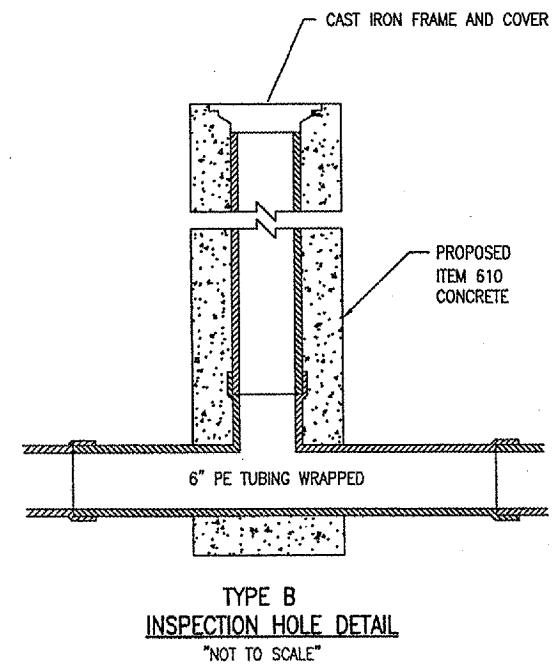
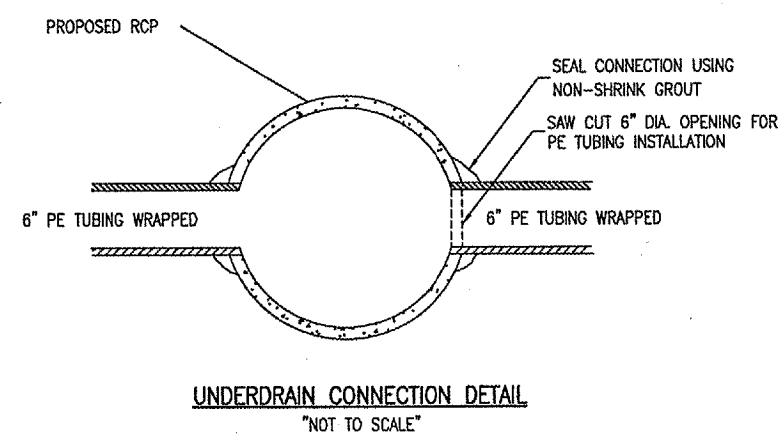
- INSPECTION HOLE NOTES**
1. DIAMETER OF PIPE AS SPECIFIED.
 2. TOP OF INSPECTION HOLES SHALL BE 1" ABOVE FINISH GROUND LINE AT LOCATION SHOWN ON PLANS.
 3. 1/2" CHAMFER TO BE USED ON ALL EXPOSED EDGES OF INSPECTION HOLES.
 4. THE CONCRETE SHALL BE STRUCTURAL PORTLAND CEMENT CONCRETE (NON-REINFORCED)



NEENAH R-6013, DEETER 1810,
 EAST JORDAN 2790-6 OR
 APPROVED EQUAL



DIAM. OF PIPES	DIMENSIONS - 2:1 FILL SLOPE					
D	L	E	F	H	W	
12"	1' 7-1/4"	10-5/8"	1'-4"	1'-9"	1'-6"	
15"	2'-0"	1'-3/8"	1'-8"	1'-11"	1'-9"	
18"	2' 4-3/4"	1'-4"	2'-0"	2'-1"	2'-0"	
21"	3'-0"	1'-8"	2'-6"	2'-3"	2'-3"	
24"	3' 7-3/4"	2'-0"	3'-0"	2'-5"	2'-6"	
27"	4' 2-1/2"	2'-4"	3'-6"	2'-7"	2'-9"	
30"	4' 9-3/4"	2'-8"	4'-0"	2' 8-1/2"	3'-0"	
33"	5' 4-7/8"	3'-0"	4'-6"	2'-10"	3'-3"	
36"	6'-0"	3'-4"	5'-0"	3'-0"	3'-6"	



I:\Airports\MtSterling\818-05TXX\Airport\Sheets\R-131-DRN.dgn 07/14/2005, 08:21 AM Bek