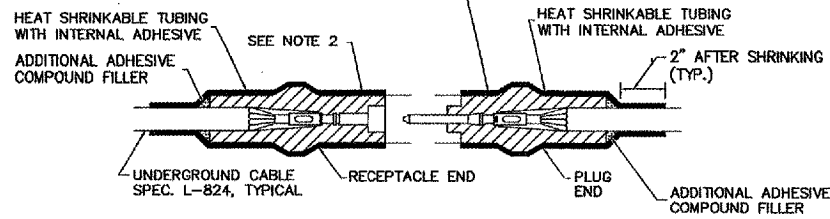


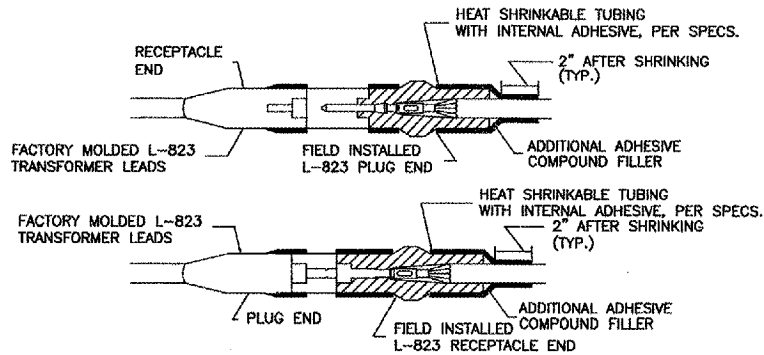
TYPE A - CABLE SPLICE

FOR SPLICES IN HOMERUNS AND FOR EXTENSIONS TO EXISTING CABLES ONLY
N.T.S.



TYPE B - CABLE SPLICE

FOR SPLICES FOR USE AT JUNCTION OF HOMERUN WITH LOOP CIRCUIT
N.T.S.



TYPE C AND D - CABLE SPLICE

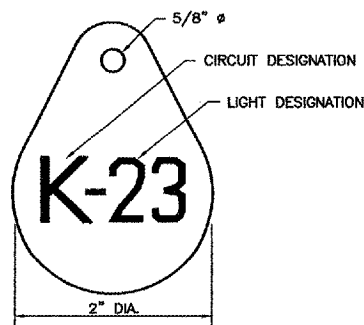
FOR SPLICES AT RUNWAY/TAXIWAY LIGHTS AND SIGNS
N.T.S.

NOTES

1. INSIDE DIAMETER OF CONNECTOR SHALL PROPERLY MATCH THE OUTSIDE DIAMETER OF CABLE.
2. WRAP WITH AT LEAST ONE LAYER OF RUBBER OR SYNTHETIC RUBBER TAPE AND ONE LAYER OF PLASTIC TAPE, ONE-HALF LAPPED, EXTENDING AT LEAST 1-1/2 INCHES ON EACH SIDE OF JOINT.
3. THE COST OF FURNISHING AND INSTALLING ALL SPLICE MATERIALS SHALL BE INCIDENTAL TO THE ASSOCIATED CABLE ITEMS.
4. THE CONTRACTOR SHALL HAVE A MINIMUM OF TWO (2) TYPE A SPLICE KITS ON THE JOB SITE AT ALL TIMES FOR EMERGENCY REPAIRS.

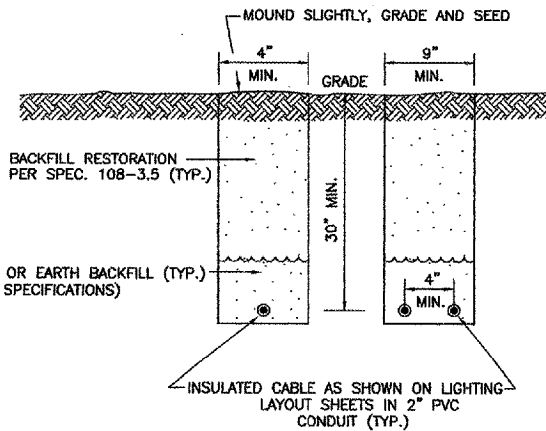
NOTES

1. INSTALL A NONCORROSIVE DISC OF 2" MINIMUM DIAMETER WITH THE NUMBER PERMANENTLY STAMPED, CUT OUT, OR ENGRAVED UNDER THE HEAD OF THE BASE PLATE BOLT OR ATTACHED TO LIGHT FLANGE WITH A SET SCREW.
2. NUMERALS SHOWN ARE FOR ILLUSTRATIVE PURPOSES ONLY. ALL EXISTING AND PROPOSED TAXIWAY AND RUNWAY LIGHTS AND SIGNS SHALL BE TAGGED AS DIRECTED BY THE RESIDENT ENGINEER. ALL LIGHTS ON EXISTING CIRCUITS THAT HAVE LIGHTING IMPROVEMENTS (PROPOSED OR RELOCATED LIGHTS) SHALL BE RETAGGED.
3. COST OF TAGGING LIGHTS SHALL NOT BE PAID FOR SEPARATELY BUT SHALL BE CONSIDERED INCIDENTAL TO THE CONTRACT.



LIGHT IDENTIFICATION DETAIL

NOT TO SCALE

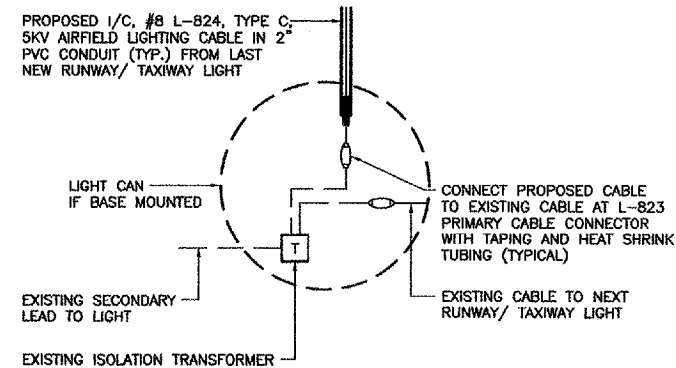


TURF AREA CABLE TRENCH DETAIL

NOT TO SCALE

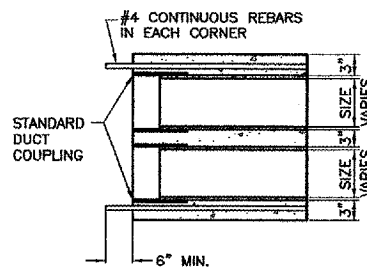
NOTES

1. TRENCHES WITH MORE THAN 2 CABLES SHALL BE INCREASED 3" IN WIDTH FOR EACH ADDITIONAL CABLE. IF SPECIFIED ON PLANS, TWO PARALLEL TRENCHES MAY BE CONSTRUCTED.
2. DEPTH OF TRENCHES SHALL BE AS SHOWN UNLESS OTHERWISE SPECIFIED ON THE PLANS.
3. SAND BACKFILL SHALL BE USED IF THE EXISTING SOIL DOES NOT MEET THE BACKFILL REQUIREMENTS.
4. ALL DISTURBED SURFACES SHALL BE RESTORED TO THEIR ORIGINAL CONDITION. COST IS INCIDENTAL.



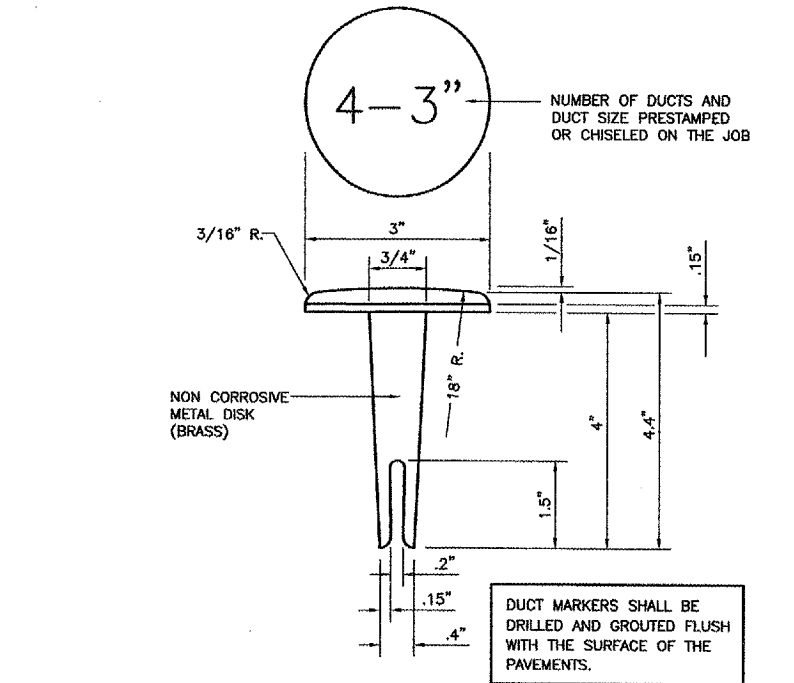
RUNWAY/TAXIWAY LIGHTING CIRCUIT CONNECTION DETAIL

NOT TO SCALE



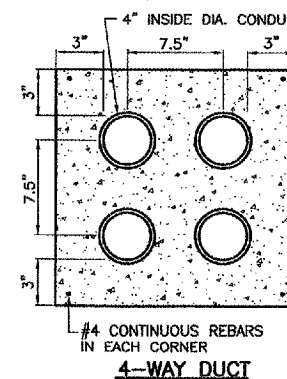
CONCRETE ENCASED DUCT END DETAIL

NO SCALE



DUCT MARKER DETAIL

NOT TO SCALE



CONCRETE ENCASED DUCT BANKS

NOT TO SCALE

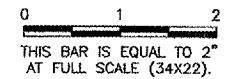
NOTES:

1. DIMENSIONS ARE MINIMUM.
2. CONCRETE SHALL CONFORM TO ITEM 610.
3. ALL CONDUIT SHALL BE SCHEDULE 40 PVC.
4. TOP OF CONCRETE ENCASEMENT IN TURF AREAS SHALL NOT BE LESS THAN 30" BELOW FINISHED GRADE.

K:\Palwaukee\0329002\draw\streets\ FILE: elec-dtl1.dwg
LAYOUT: Layout1
UPDATE BY: johse
SURVEY BOOK #
DATE: Mon 6/27/05 4:47pm
XREF DWG: tbcint.dwg

REVISIONS

NUMBER	BY	DATE



PALWAUKEE MUNICIPAL AIRPORT
WHEELING / PROSPECT HEIGHTS ILLINOIS

NORTHEAST QUADRANT SITEWORK
ELECTRICAL DETAILS - SHEET 1

© Copyright CMT, Inc.
CMT
CRAWFORD, MURPHY & TILLY, INC.
CONSULTING ENGINEERS
License No. 984-000618



DESIGN BY:	ARM
DRAWN BY:	JRO
CHECKED BY:	
APPROVED BY:	
DATE:	06/28/05
JOB No:	03290-02
ILLINOIS PROJECT: PWK-3471	