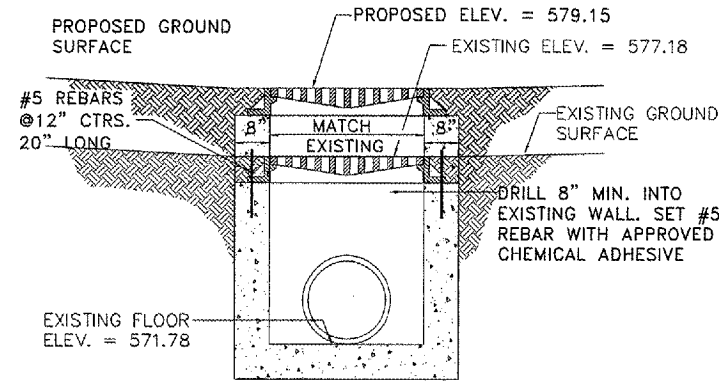


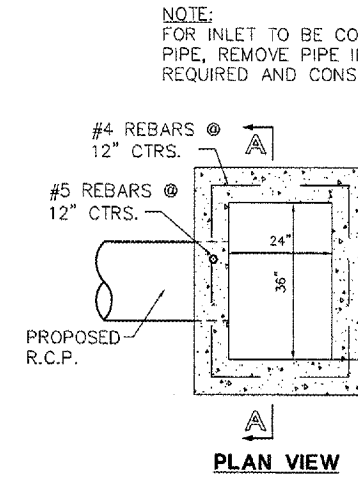
**RAISED PROFILE VIEW**

**ADJUST INLET**  
NO SCALE

STATION 2+22.93/69.4' Lt.

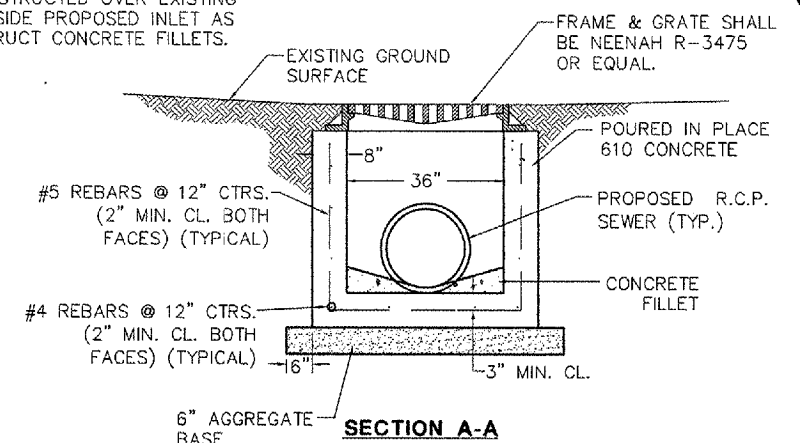


**SECTION A-A**

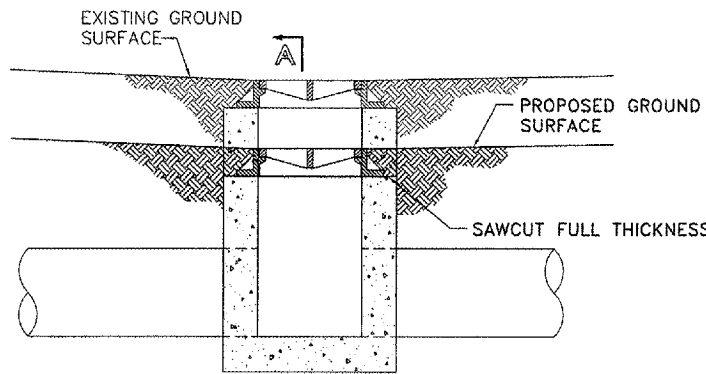


**PLAN VIEW**

**INLET DETAIL**  
NOT TO SCALE



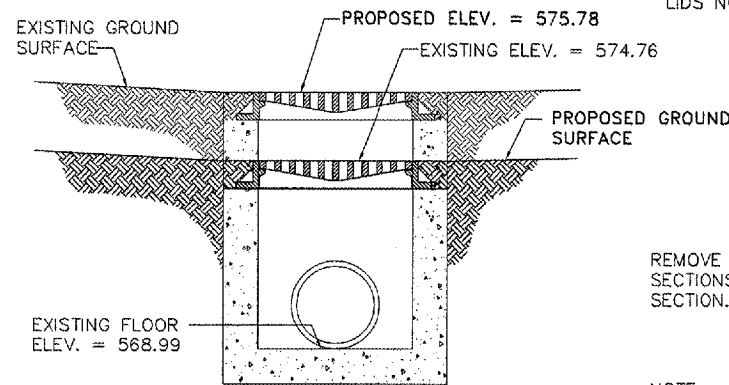
**SECTION A-A**



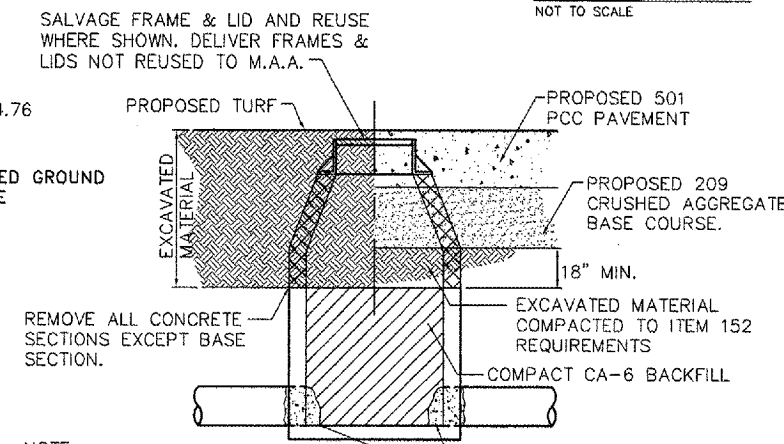
**LOWERED PROFILE VIEW**

**ADJUST INLET**  
NO SCALE

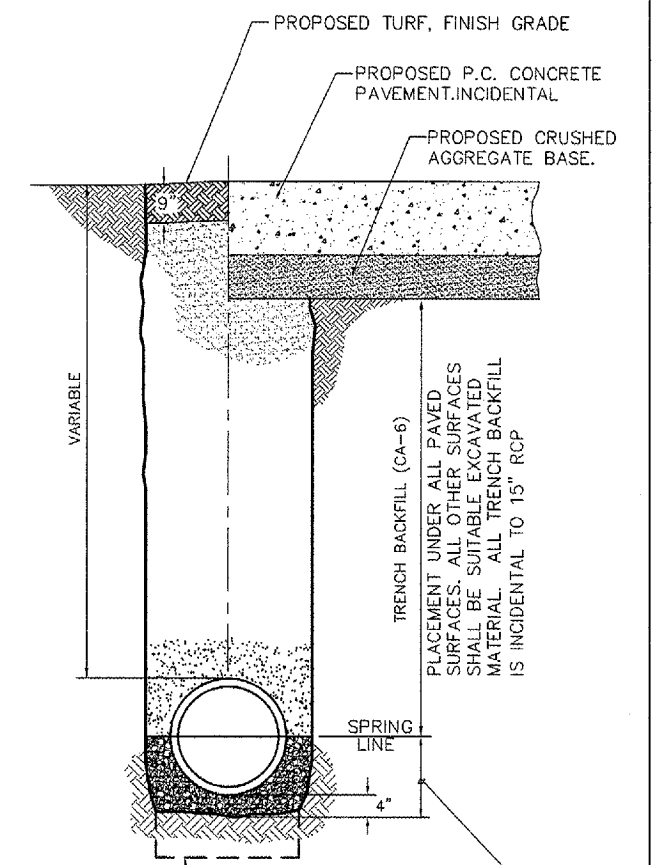
STATION 9+17.23/156.7' Rt.



**SECTION A-A**

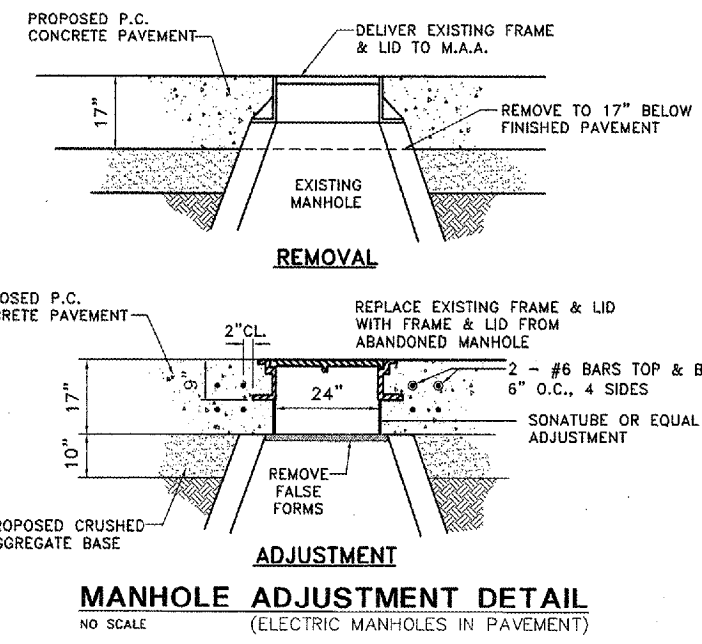
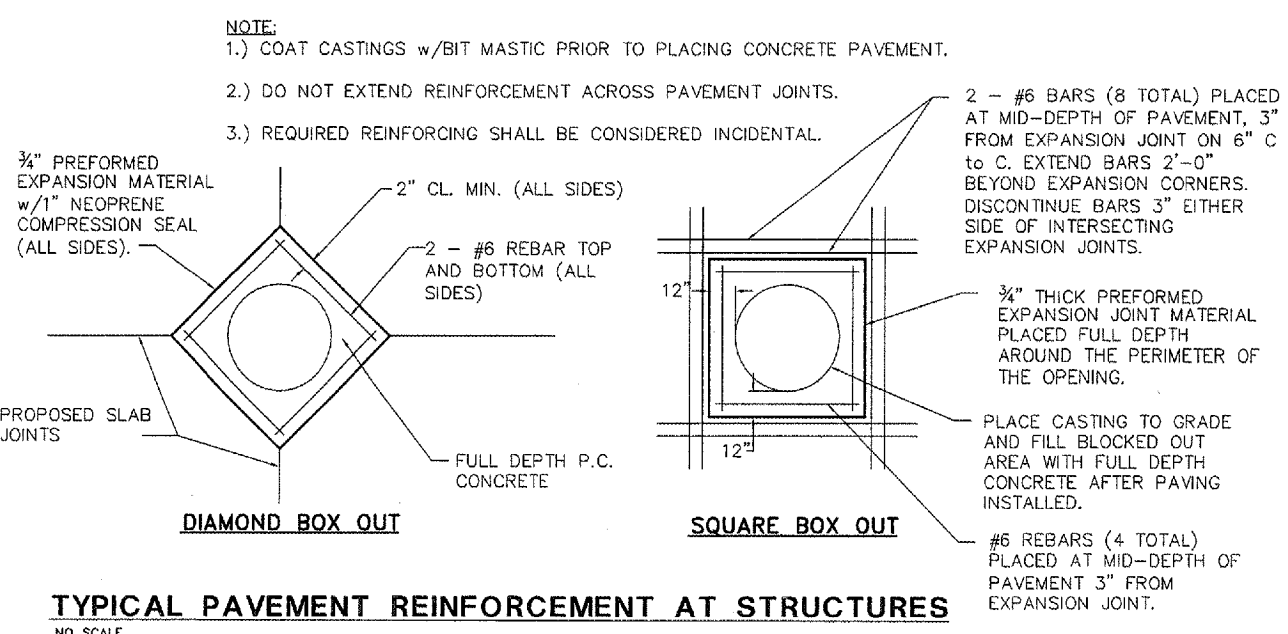


**PROFILE VIEW**  
**ABANDON MANHOLE**  
NO SCALE



**NOTE:**  
GRANULAR BEDDING AND TRENCH BACKFILL SHALL BE CONSIDERED INCIDENTAL TO THE STORM SEWER  
ADDITIONAL "GRANULAR BEDDING" (CA-6) MAY BE REQUIRED IN AREAS WITH UNSUITABLE SOIL. (AS REQUIRED BY THE ENGINEER).

**TYPICAL STORM SEWER INSTALLATION DETAIL**  
NO SCALE



**MANHOLE ADJUSTMENT DETAIL**  
NO SCALE  
(ELECTRIC MANHOLES IN PAVEMENT)

REVISIONS		
NO.	ITEM	DATE

PLOTTING SCALE: 1:20  
DRAWN BY: MJK  
CHECKED BY:   
DATE: MAY 2005

**McCLURE ENGINEERING ASSOCIATES, INC.**  
4700 Kennedy Drive  
(309) 792-8300  
East Moline, Illinois 61244  
FAX (309) 792-9974  
Design Firm License: Illinois #184-000816  
Copyright 2005 by McClure Engineering Associates, Inc.