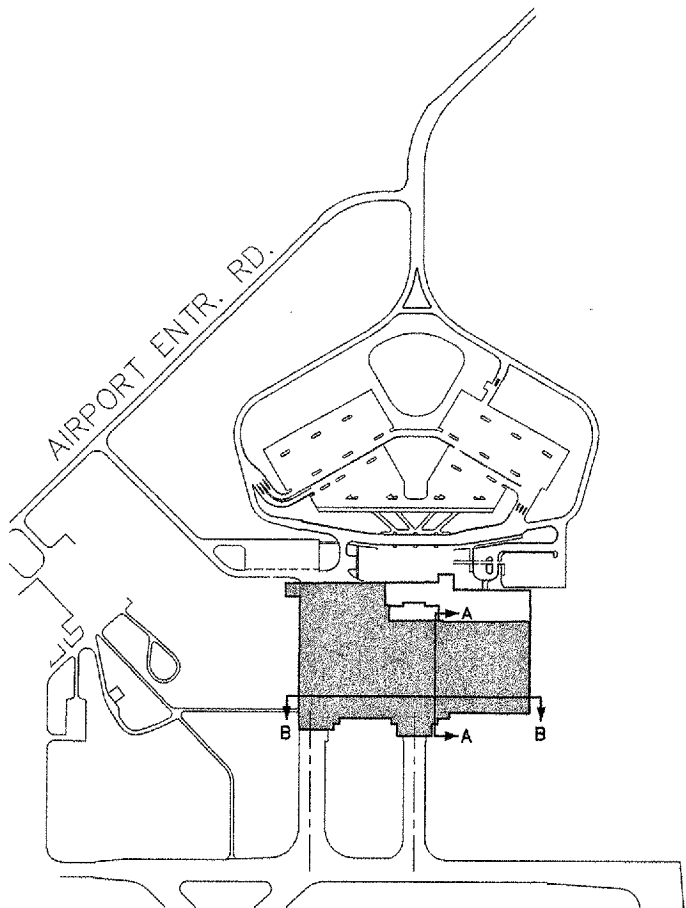
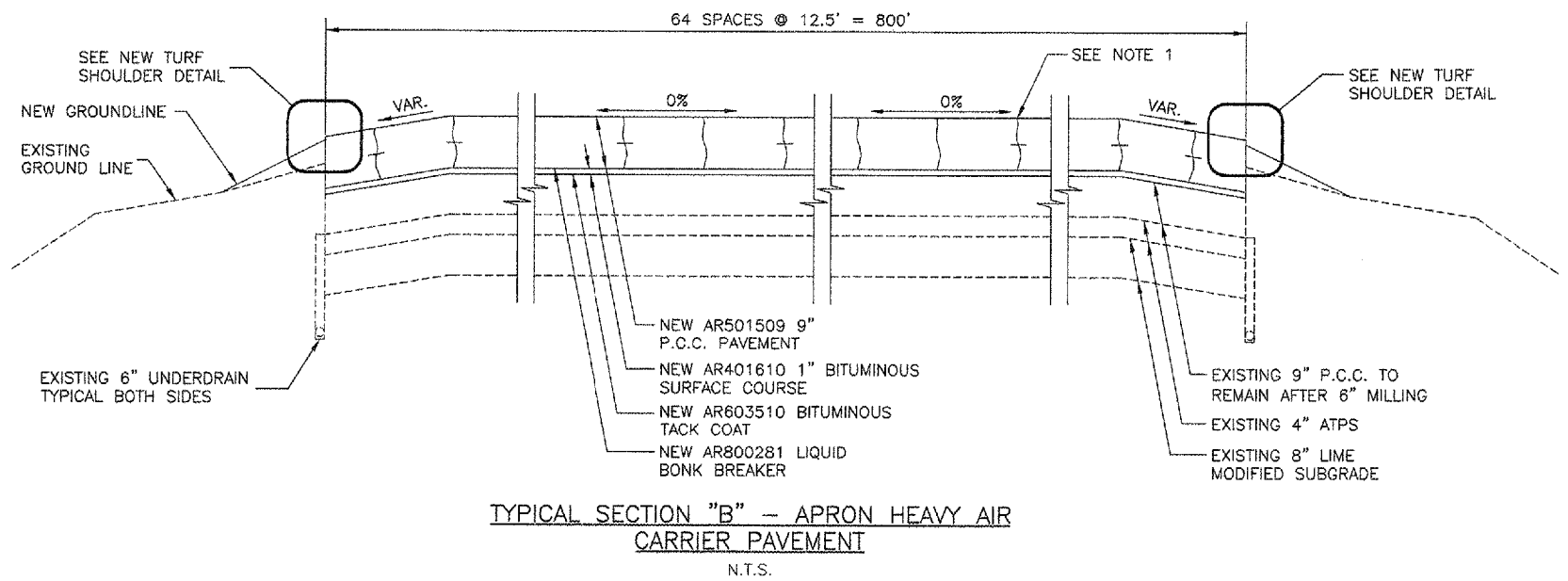
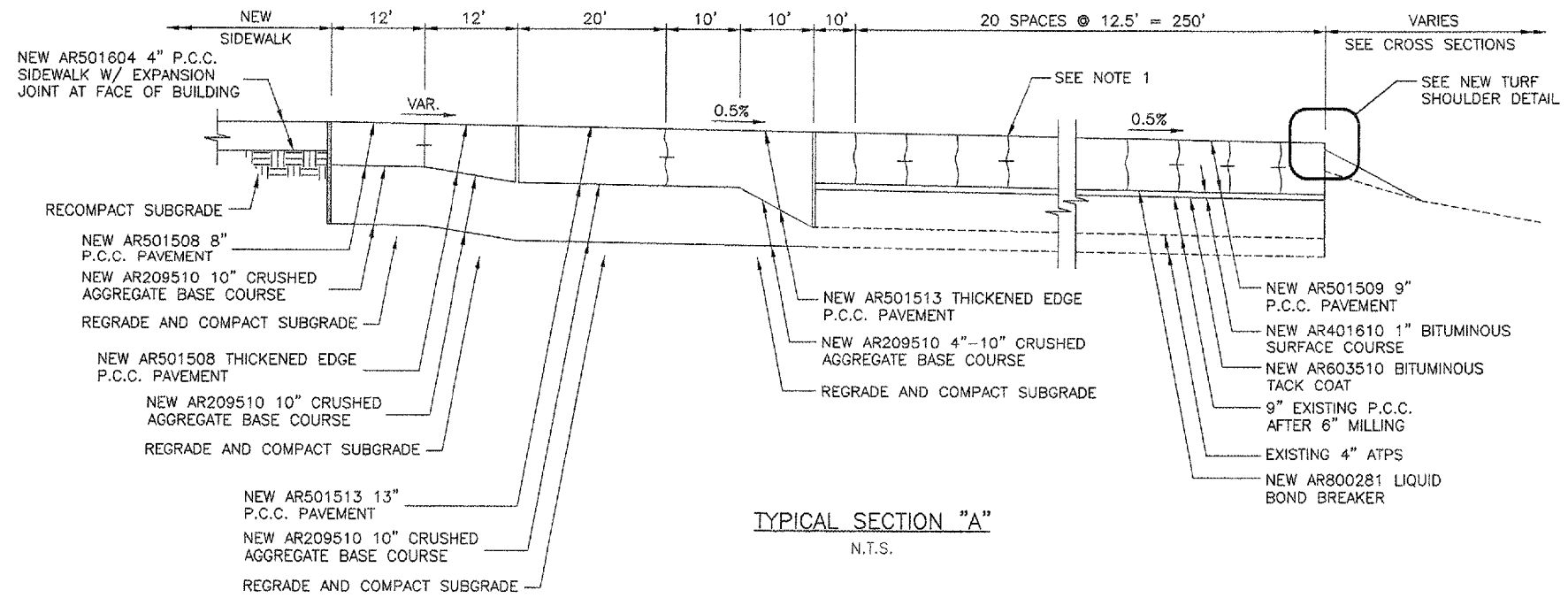


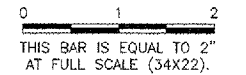
NOTES

1. ALL CONSTRUCTION JOINTS TO BE DOWELED.



REVISIONS

NUMBER	BY	DATE



**UNIVERSITY OF ILLINOIS
 WILLARD AIRPORT**
REHABILITATE AIR CARRIER RAMP
NEW TYPICAL SECTIONS SHEET 1

© Copyright CMT, Inc.
CMT
 CRAWFORD, MURPHY & TILLY, INC.
 CONSULTING ENGINEERS
 License No. 84-000513

DESIGN BY: SMS
 DRAWN BY: CMT
 CHECKED BY: SMS
 APPROVED BY: *[Signature]*
 DATE: 06/10/2005
 JOB No: 03059-03-00

IL PROJECT: CMI-3449
 A.I.P. PROJECT: 3-17-0016-22
 SHEET 26 OF 58 SHEETS