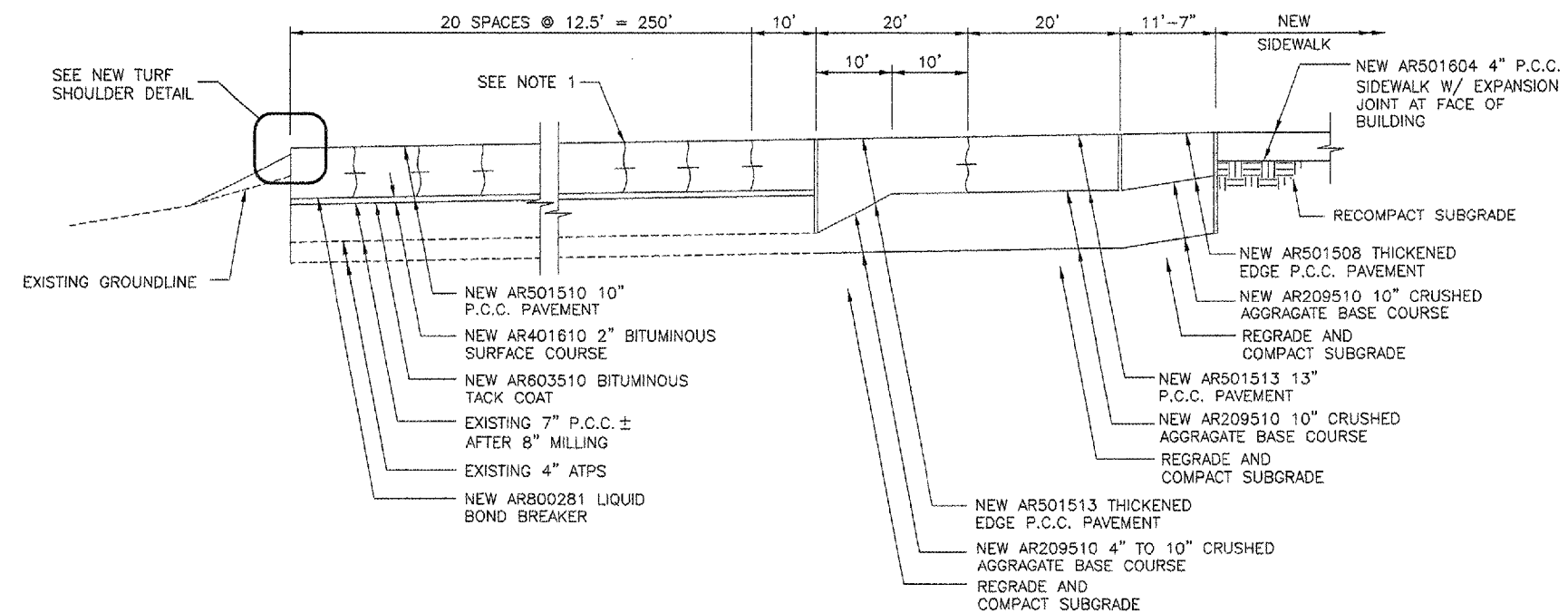
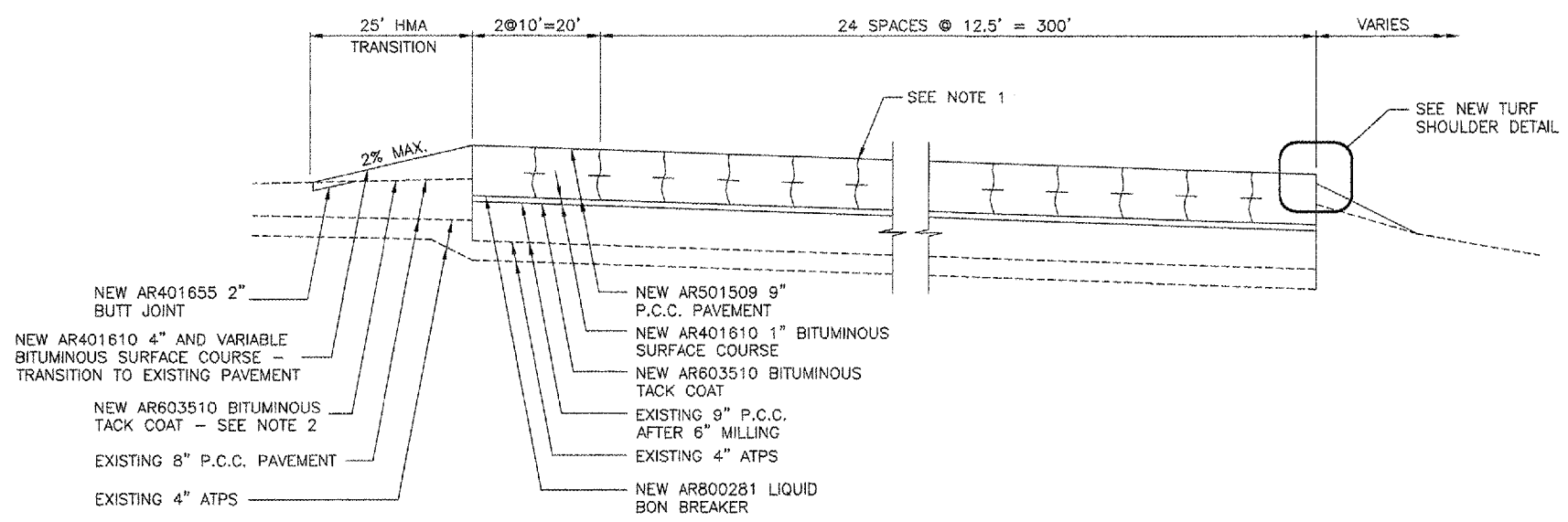
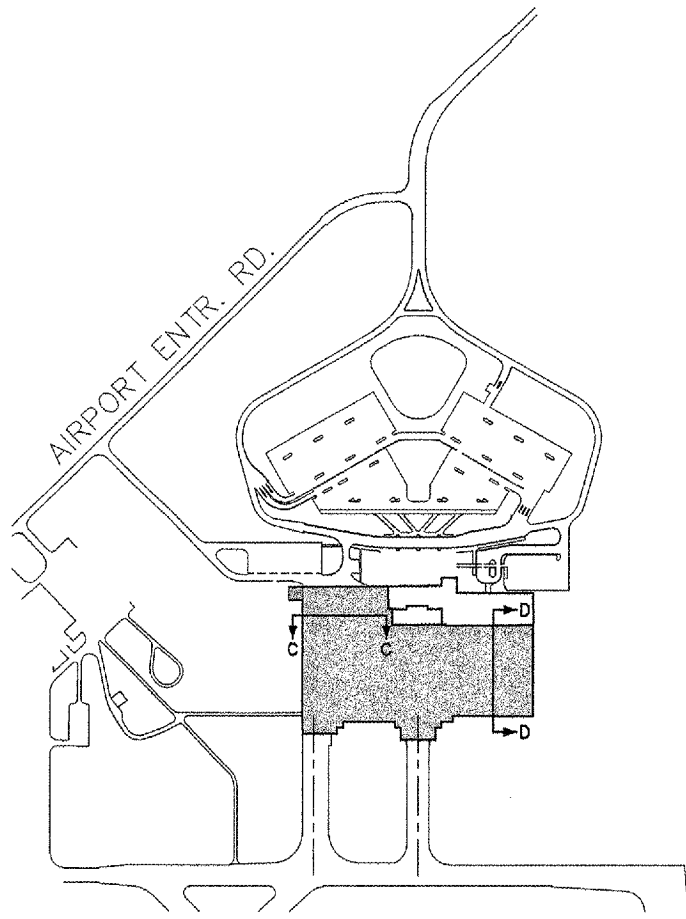


NEW TURF SHOULDER DETAIL
N.T.S.



TYPICAL SECTION "C"
N.T.S.



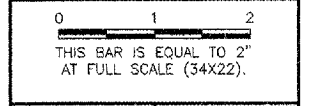
TYPICAL SECTION "D"
N.T.S.

NOTES

1. ALL CONSTRUCTION JOINTS TO BE DOWELED.
2. BITUMINOUS TACK COAT REQUIRED BETWEEN EACH LIFT OF BITUMINOUS SURFACE COURSE IN THE BITUMINOUS TRANSITIONS.

REVISIONS

NUMBER	BY	DATE



**UNIVERSITY OF ILLINOIS
WILLARD AIRPORT**

REHABILITATE AIR CARRIER RAMP

NEW TYPICAL SECTIONS SHEET 2

© Copyright CMT, Inc.

CMT
CRAWFORD, MERRY & TILLY, INC.
CONSULTING ENGINEERS
License No. 184-000518

DESIGN BY:	SMS
DRAWN BY:	CMT
CHECKED BY:	SMS
APPROVED BY:	<i>[Signature]</i>
DATE:	08/10/2005
JOB No:	03059-03-00
IL PROJECT:	CM-3449
A.I.P. PROJECT:	3-17-0016-22
SHEET	27 OF 58 SHEETS