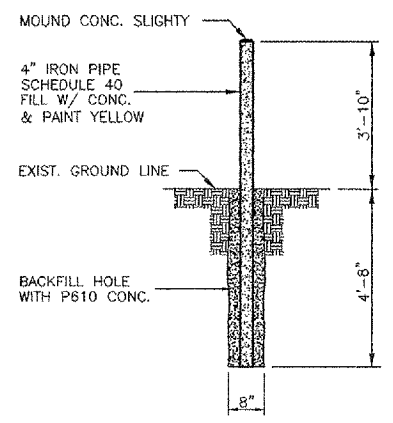
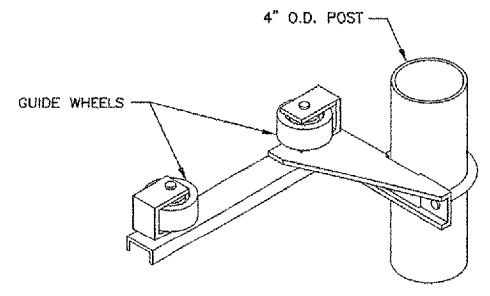


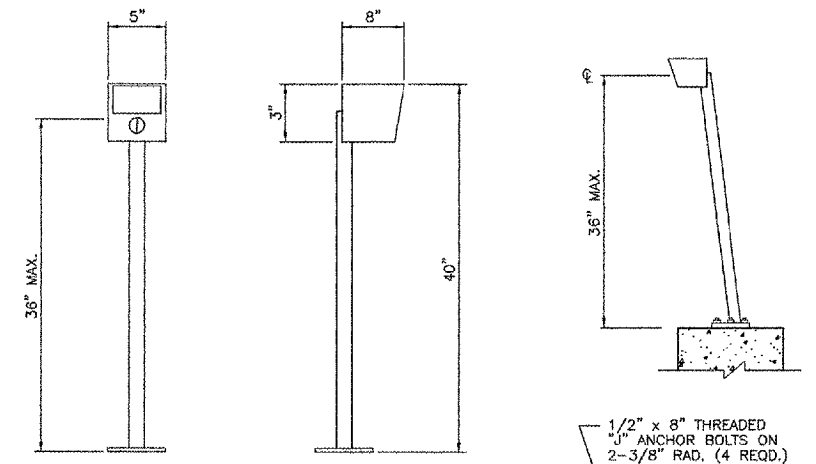
**PLAN**  
**GATE OPERATOR DETAIL**  
 N.T.S.



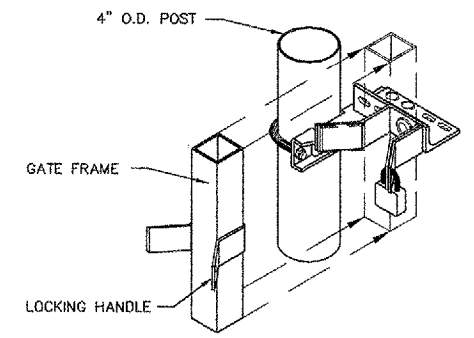
**BOLLARD DETAIL**  
 N.T.S.



**STANDARD BOTTOM GUIDE ASSEMBLY**  
 N.T.S.

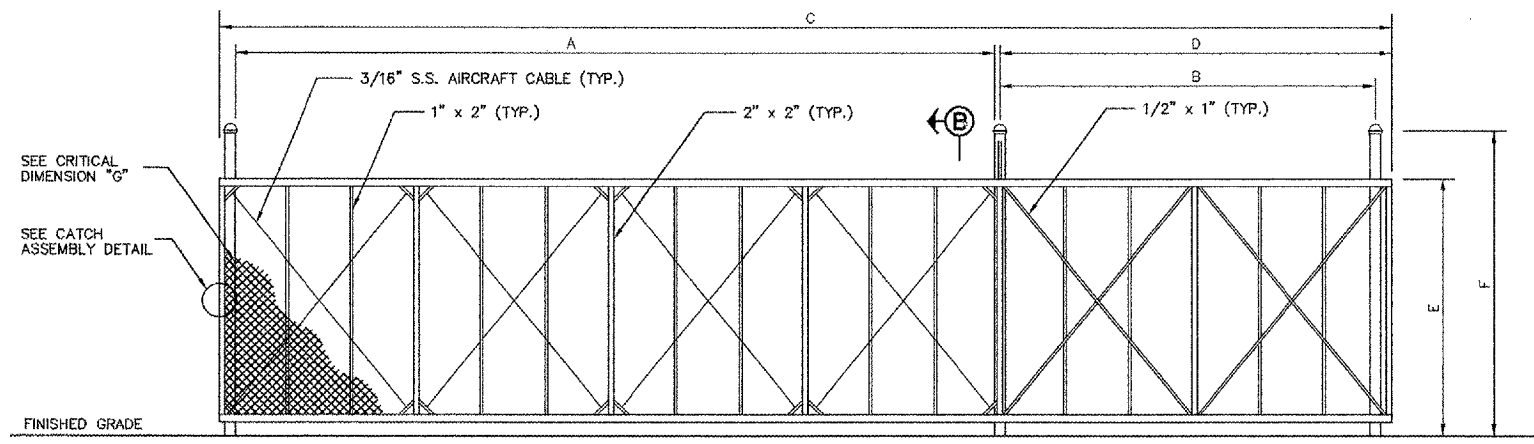


**CARD READER DETAIL**  
 N.T.S.  
 (DIMENSIONS SHALL BE ADJUSTED FOR  
 ADDITIONAL EQUIPMENT REQUIRED)

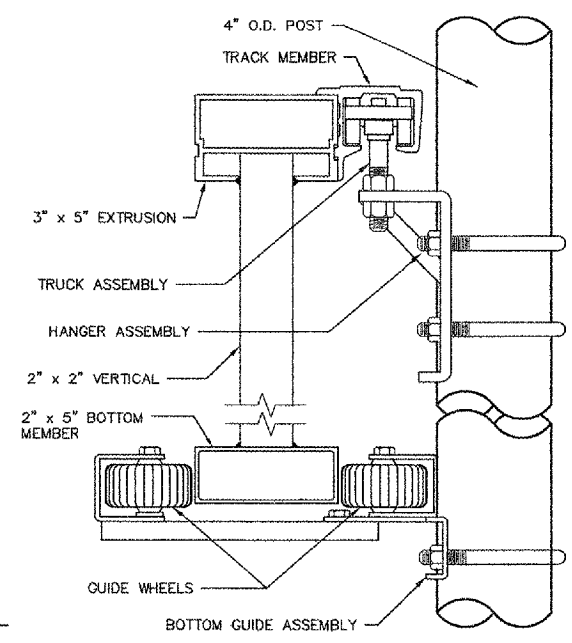


**CATCH ASSEMBLY DETAIL**  
 (26' GATE SHOWN)

CRITICAL DIMENSIONS		
A	CLEAR OPENING	20'-0"
B	COUNTER BALANCE POST SPACING C/C	10'-3"
C	OVERALL GATE LENGTH	31'-0"
D	COUNTERBALANCE LENGTH	11'-0"
E	NOMINAL GATE HEIGHT	8'-0"
F	POST HEIGHT	9'-3"
G	FABRIC HEIGHT	7'-0"



**ELEVATION**  
**CANTILEVER SLIDE GATE**  
 (26' GATE SHOWN)



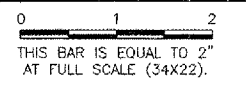
**SECTION B-B**  
 (TYP. ALL GATES)

LOCATIONS, DETAILS AND CHARACTER OF EQUIPMENT SHOWN ON THIS SHEET ARE GENERIC. EQUIPMENT LOCATIONS SHALL BE AS RECOMMENDED BY THE EQUIPMENT MANUFACTURER.

**NOTES**

1. CANTILEVERED GATE SHALL BE SUFFICIENTLY RIGID TO WITHSTAND FLEXING OR BENDING DURING WINDY CONDITIONS. CONTRACTOR SHALL PROVIDE STIFFENERS, STRUCTURAL SHAPES IN EXCESS OF THE MINIMUM SPECIFIED DIMENSIONS OR ADDITIONAL ROLLERS AND POSTS SUFFICIENT TO PREVENT DISPLACEMENT OF THE GATE BY WIND OR BY UNAUTHORIZED PERSONNEL.
2. CONTRACTOR SHALL PROVIDE AND INSTALL GATE AS A COMPLETE WORKING UNIT. THE GATE WORK SHALL INCLUDE, BUT NOT BE LIMITED TO: GATE, OPERATOR, CARD READER AND POWER CABLES, CONDUIT, TRENCHING, CIRCUIT BREAKERS, AND ALL CONNECTIONS, LABOR AND MATERIALS NECESSARY TO COMPLETE OPERATION.
3. LOCATION OF THE GATE OPERATOR SHALL BE AS RECOMMENDED BY THE MANUFACTURER.
4. PIPE BOLLARDS SHALL BE INSTALLED AT LOCATIONS SHOWN IN PLAN VIEW.
5. THE FABRIC TYPE & FINISH OF THE GATE, MATCH WITH THE PROPOSED FENCE OR AS DIRECTED BY THE ENGINEER.
6. ALL SLIDING GATES SHALL HAVE ALL ROLLERS ENCLOSED IN STEEL OR PLASTIC SHROUDS TO PREVENT ACCIDENTAL INJURY.
7. BARBED WIRE ON TOP OF GATE NOT SHOWN.

REVISIONS		
NUMBER	BY	DATE



**UNIVERSITY OF ILLINOIS  
 WILLARD AIRPORT**  
**REHABILITATE AIR CARRIER RAMP**  
**ELECTRICAL GATE DETAILS SHEET 1**

© Copyright CMT, Inc.  
**CMT**  
 CRAWFORD, MURPHY & TILLY, INC.  
 CONSULTING ENGINEERS  
 License No. 94-000613

DESIGN BY: TM  
 DRAWN BY: CMT  
 CHECKED BY: SMS  
 APPROVED BY: [Signature]  
 DATE: 06/10/2005  
 JOB No: 03059-03-00  
 IL PROJECT: CMI-3449  
 A.I.P. PROJECT: 3-17-0016-22  
 SHEET 43 OF 58 SHEETS