

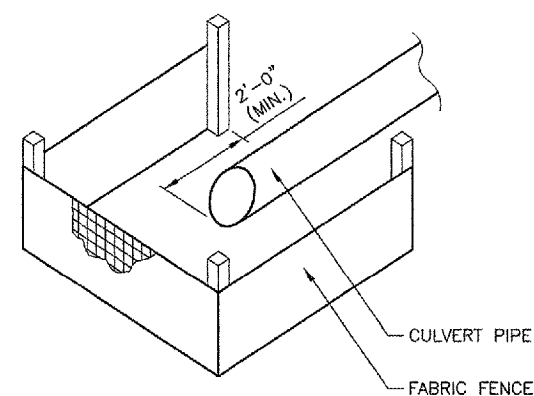
REVISIONS		
NUMBER	BY	DATE

0 1 2
 THIS BAR IS EQUAL TO 2"
 AT FULL SCALE (34X22).

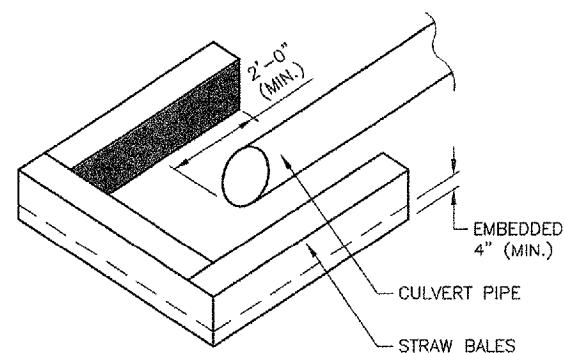
UNIVERSITY OF ILLINOIS
 WILLARD AIRPORT
 REHABILITATE AIR CARRIER RAMP
 EROSION CONTROL DETAILS

© Copyright CMT, Inc.
CMT
 CRAVENS, MURPHY & TILLY, INC.
 CONSULTING ENGINEERS
 License No. 064-000518

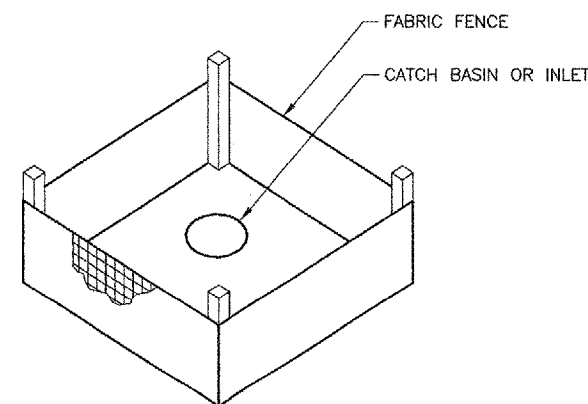
DESIGN BY: CMT
 DRAWN BY: CMT
 CHECKED BY: SMS
 APPROVED BY: *[Signature]*
 DATE: 06/10/2005
 JOB No: 03059-03-00
 IL PROJECT: CMI-3449
 A.I.P. PROJECT: 3-17-0016-22
 SHEET 52 OF 58 SHEETS



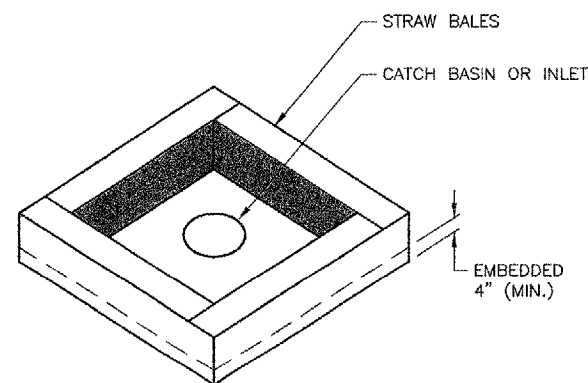
CULVERT PROTECTION WITH FABRIC
 N.T.S.



CULVERT PROTECTION WITH STRAW BALES
 N.T.S.



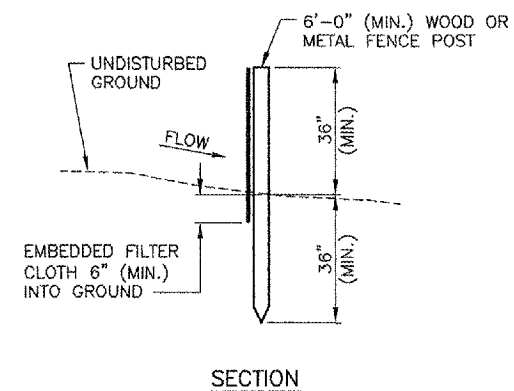
INLET PROTECTION WITH FABRIC
 N.T.S.



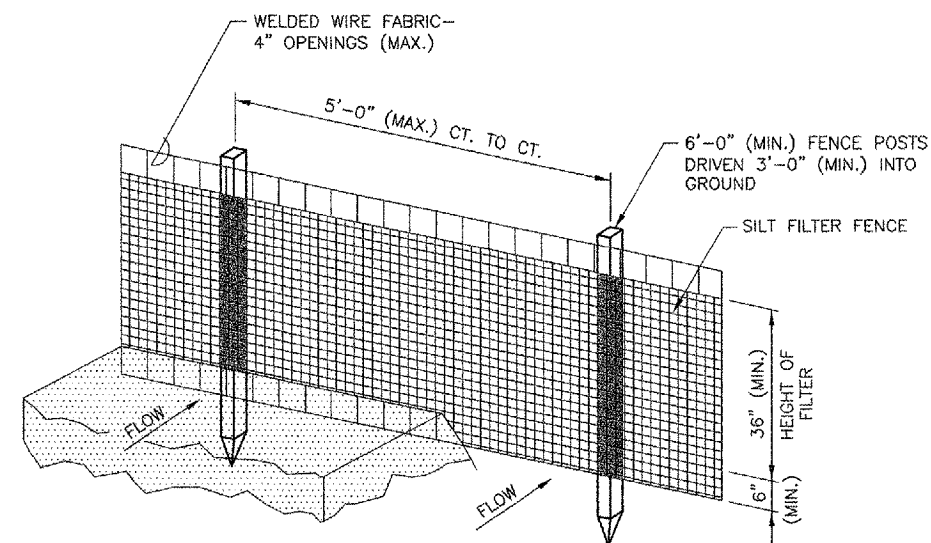
INLET PROTECTION WITH STRAW BALES
 N.T.S.

NOTES

1. IF SILT FENCE IS USED FOR INLET PROTECTION, THE FENCE CONSTRUCTION SHALL CONFORM TO THE EROSION CONTROL FABRIC FENCE DETAIL ON THIS SHEET.
2. INLET PROTECTION USED AROUND FLARED END SECTIONS OR CULVERTS SHALL ONLY REQUIRE 3 SIDES AND SHALL BE PAID FOR AS INLET PROTECTION.



SECTION



PERSPECTIVE VIEW

EROSION CONTROL FABRIC FENCE DETAIL
 N.T.S.

NOTES

1. WELDED WIRE FENCE TO BE FASTENED SECURELY TO FENCE POSTS WITH WIRE TIES OR STAPLES.
2. FILTER CLOTH TO BE FASTENED SECURELY TO WELDED WIRE FENCE WITH TIES SPACED EVERY 12".
3. WHEN TWO SECTIONS OF FILTER CLOTH ADJOIN EACH OTHER THEY SHALL BE OVERLAPPED BY 6" MINIMUM AND FOLDED.
4. MAINTENANCE SHALL BE PERFORMED AS NEEDED AND MATERIAL REMOVED WHEN "BULGES" DEVELOP IN THE SILT FENCE. MAINTENANCE, WHICH INCLUDES THE REPLACEMENT OF DAMAGED FENCE, SHALL BE CONSIDERED INCIDENTAL TO THE COST OF THE EROSION CONTROL FENCE.