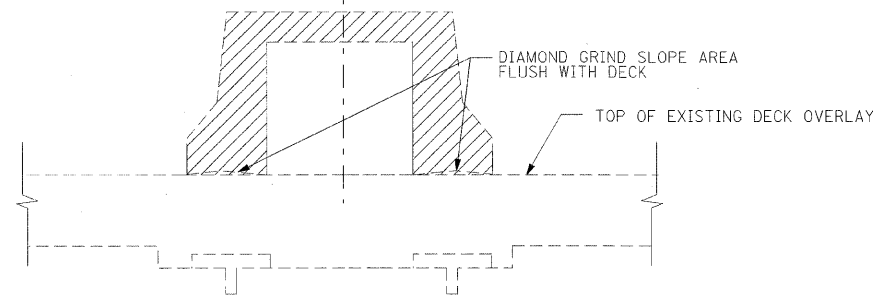


**EXISTING TYPICAL SECTION
(LOOKING EAST)**

STA. 377+01.00 TO STA. 377+29.89
CROSS OVER C
(EAST OF THE POST OFFICE STAGE II)

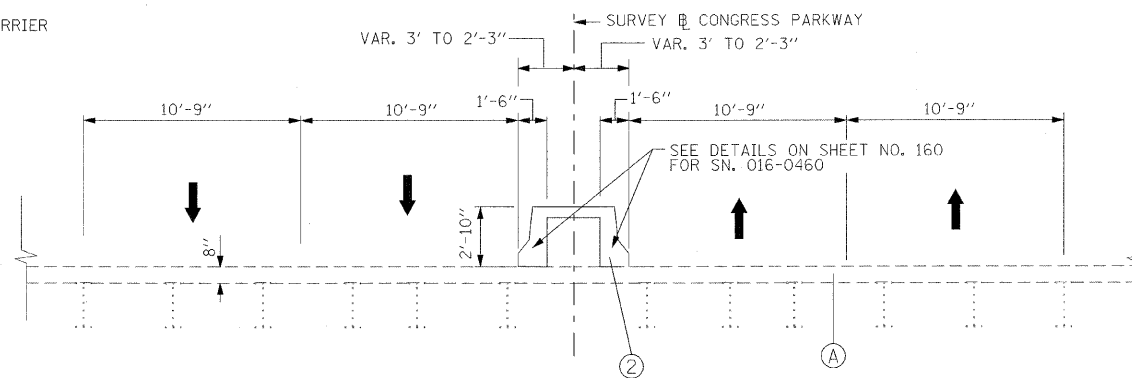
NOTE:
FOR REMOVAL DETAILS AND SEQUENCE
SEE GENERAL NOTES AND TRAFFIC
CONTROL GENERAL NOTES AND DETAILS



DETAIL 2

CONCRETE BARRIER REMOVAL (SPECIAL)

NOTE:
FOR CONDUIT LOCATED WITHIN EXISTING BARRIER
SEE STRUCTURE AND ELECTRICAL DETAILS.



**PROPOSED TYPICAL SECTION
(LOOKING EAST)**

STA. 377+01.00 TO STA. 377+29.89
CROSS OVER C
(EAST OF THE POST OFFICE STAGE II)

EXISTING

- (A) EXISTING CONCRETE DECK
- (B) EXISTING CONCRETE BARRIER REMOVAL
- (C) EXISTING CONCRETE MEDIAN REMOVAL

PROPOSED

- (1) CONCRETE PARAPET, 34 INCH F SHAPE (MODIFIED)
- (2) CONCRETE PARAPET TRANSITION, 34 INCH F SHAPE (MODIFIED)
- (3) CONCRETE MEDIAN (SPECIAL)
- (4) HOT-MIX ASPHALT SURFACE COURSE, MIX "C", N50, 2"
- (5) HOT-MIX ASPHALT BASE COURSE, 8" (IN 3 LIFTS)
- (6) SUB-BASE GRANULAR MATERIAL, TYPE B 6"
- (7) COMBINATION CONCRETE C&G, TYPE B-6.12
- (8) PRECAST MODULAR RETAINING WALL
- (9) CHAIN LINK FENCE, 8'

PB Americas, Inc.
230 WEST MONROE STREET,
SUITE 900
CHICAGO, IL. 60606

USER NAME = #USER#
FILE NAME = #FILENAME#
PLOT SCALE = #SCALE#
PLOT DATE = 5/6/2009

DESIGNED - DM
DRAWN - MS
CHECKED - DS
DATE - 5/08/09

REVISED -
REVISED -
REVISED -
REVISED -

**STATE OF ILLINOIS
DEPARTMENT OF TRANSPORTATION**

**CONGRESS PARKWAY OVER SOUTH BRANCH OF THE CHICAGO RIVER
TYPICAL SECTIONS**

SCALE: NONE SHEET NO. 12 OF 83 SHEETS STA. 377+01.00 TO STA. 382+45.28

F.A.P. RTE.	SECTION	COUNTY	TOTAL SHEETS	SHEET NO.
389	2424-2B-R	COOK	398	12
CONTRACT NO. 60D61				
FED. ROAD DIST. NO. 1 ILLINOIS FED. AID PROJECT				