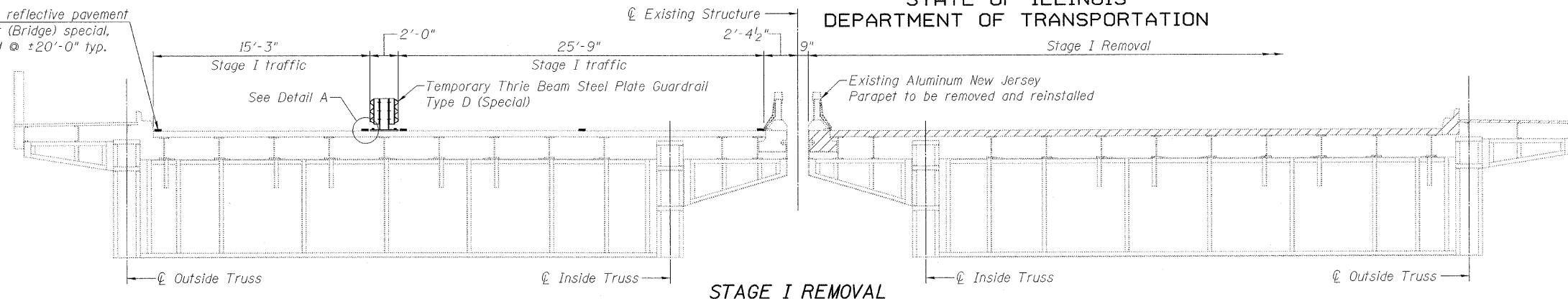
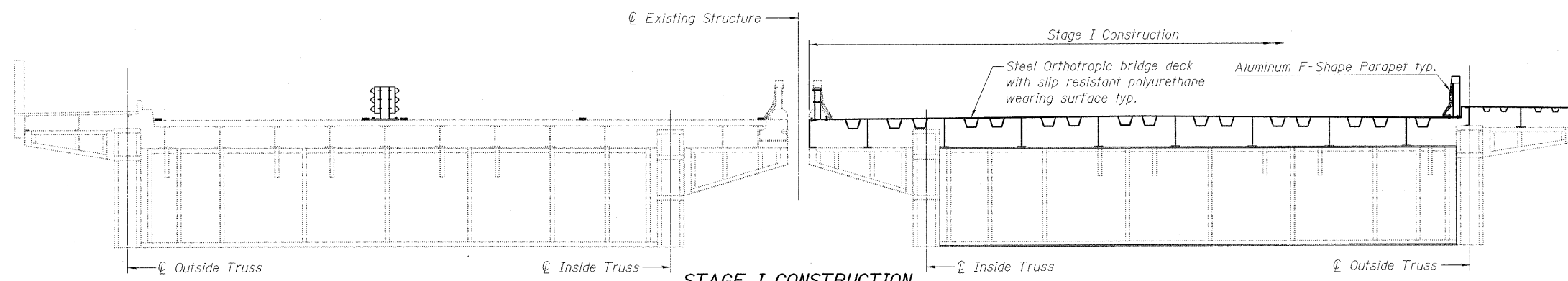


STATE OF ILLINOIS
DEPARTMENT OF TRANSPORTATION

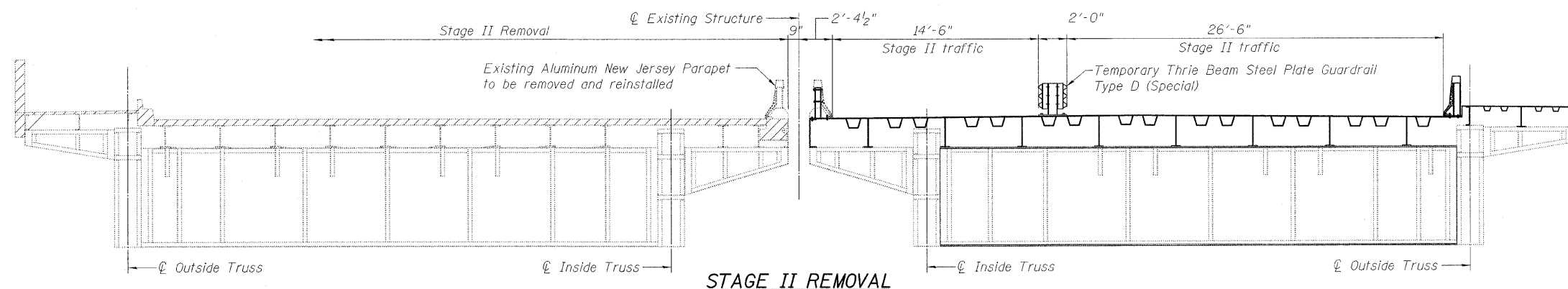
Raised reflective pavement marker (Bridge) special, spaced @ ±20'-0" typ.



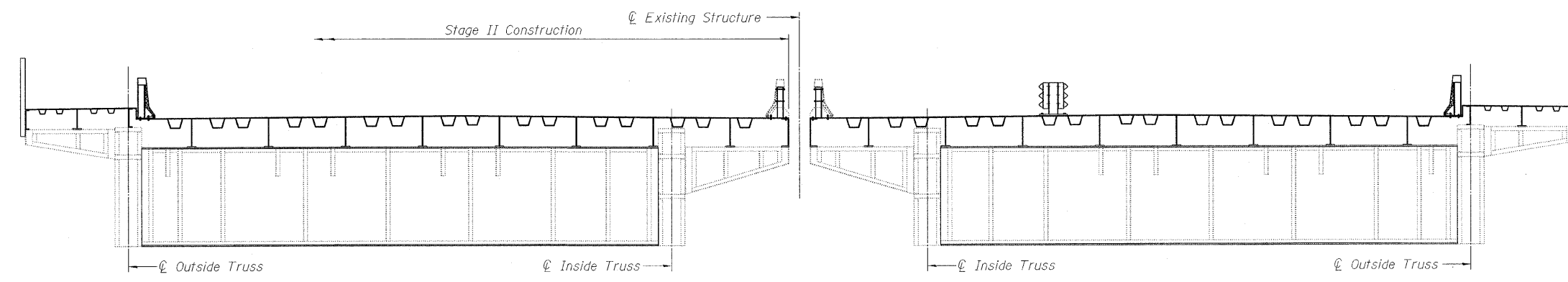
STAGE I REMOVAL



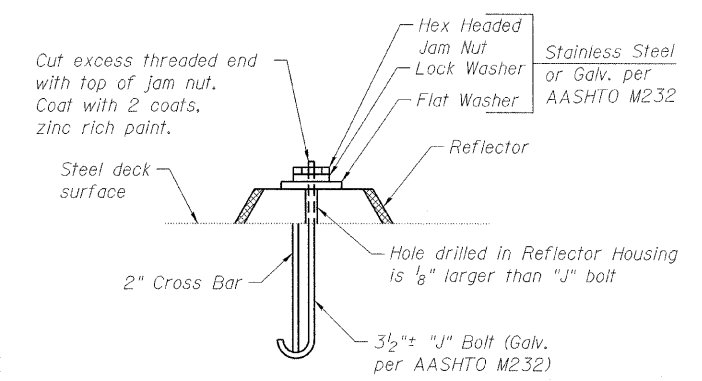
STAGE I CONSTRUCTION



STAGE II REMOVAL



STAGE II CONSTRUCTION



DETAIL A

Notes:
All staging cross sections are looking East.
For Temporary Thrie Beam Steel Plate Guardrail, see sheet 8 of 163.
Hatched area indicates Removal of Existing Structures.
All existing deck, sidewalk and stringers in the movable leafs to be removed and replaced with Steel Orthotropic bridge deck with slip resistant polyurethane wearing surface.

**STAGE CONSTRUCTION DETAILS
STRUCTURE NO. 016-2445**

DESIGNED	A. HAMMAD
CHECKED	J. GRAINAWI
DRAWN	D. C. PATEL
CHECKED	A. HAMMAD

PB Americas, Inc.
230 WEST MONROE STREET,
SUITE 900
CHICAGO, IL. 60606

SHEET NO. 7 163 SHEETS	F.A.P RTE.	SECTION	COUNTY	TOTAL SHEETS	SHEET NO.
	389	2424.2B-R	COOK	398	88
CONTRACT NO. 60D61					
FED. ROAD DIST. NO. 7 ILLINOIS FED. AID PROJECT					

T:\16849A\Structural\Cadd\Pre-Final\EB_Plans\0162445-60D61-STG-007.dgn
07-MAY-2009